

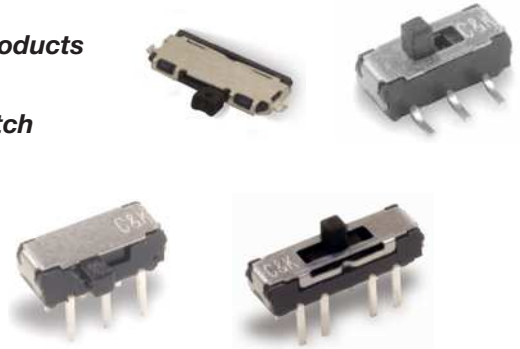
JS Series Sub-Miniature Slide Switches

Features/Benefits

- Positive detent
- Low profile
- IR reflow to 260° solder profile
- Surface and thru hole mounting
- SPDT, DPDT, DP3T models
- RoHS compliant

Typical Applications

- Telecommunication products
- Computer peripherals
- Thermostat select switch
- Instrumentation
- Medical



Specifications

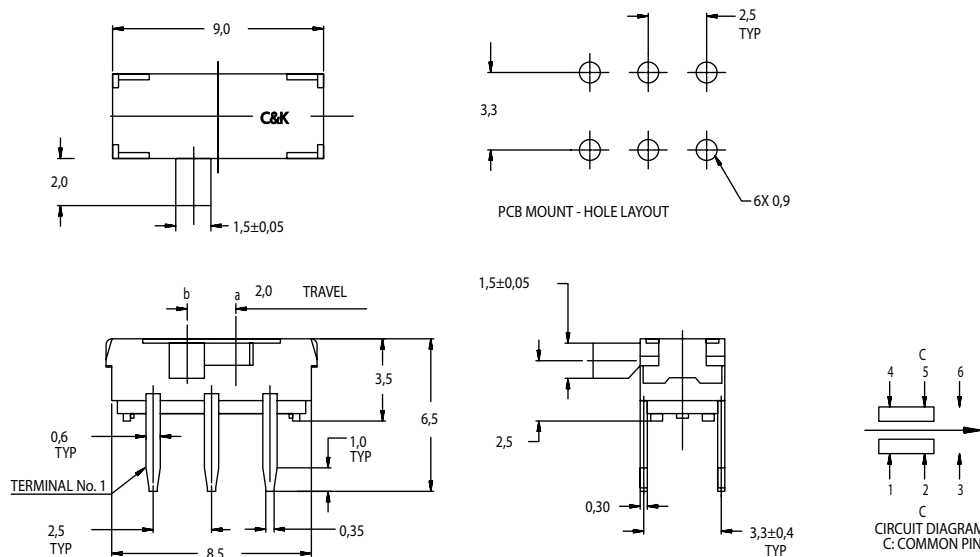
CONTACT RATING: 6 VDC @ 0.3A
 ELECTRICAL LIFE: 5,000 make-and-break cycles
 CONTACT RESISTANCE: 70 m Ω max.
 INSULATION RESISTANCE: 100 M Ω min. @ 500V.
 DIELECTRIC STRENGTH: 500 VAC min. @ sea level.
 OPERATING TEMPERATURE: -40°C to +85°C
 STORAGE TEMPERATURE: -40°C to +85°C

NOTE: Specifications and materials listed above are for switches with standard options.
 For information on specific and custom switches, consult Customer Service Center.

Materials

HOUSING: 4/6 nylon (UL94V-2), black.
 ACTUATOR: 4/6 nylon (UL94V-2), black (some options white).
 CONTACTS: Copper alloy, silver plated.
 TERMINALS: Brass, silver plated

RIGHT ANGLE, PC THRU-HOLE



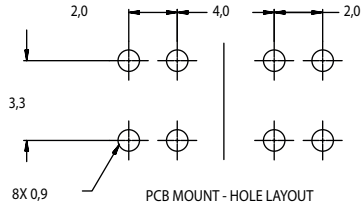
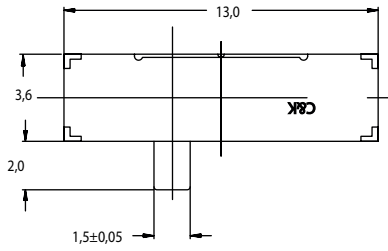
Part Number
 JS202011AQN
DPDT

Shown in position b

Shown in position b

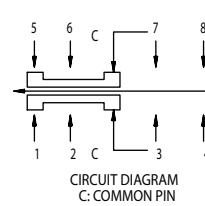
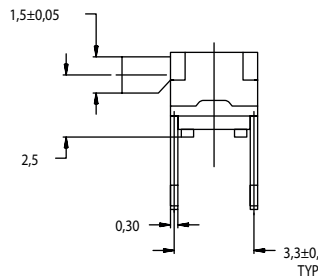
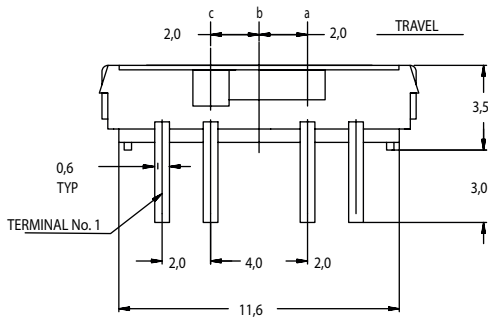
JS Series Sub-Miniature Slide Switches

RIGHT ANGLE, PC THRU-HOLE



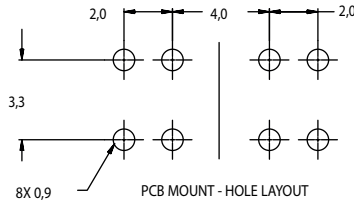
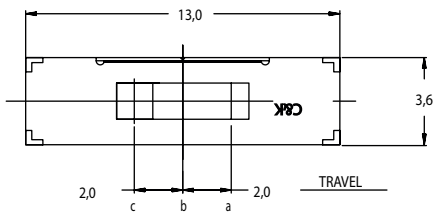
Part Number
JS203011AQN
DP3T

Shown in position b



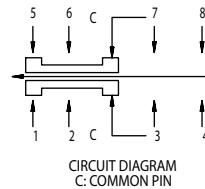
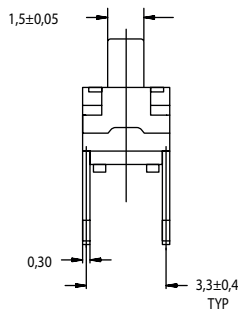
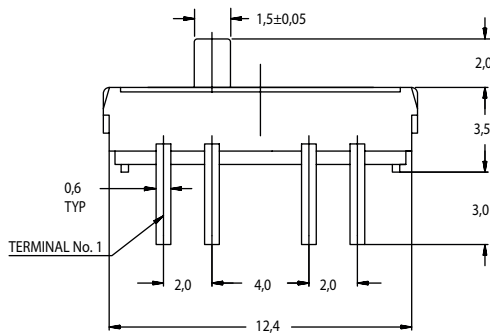
Shown in position c

PC THRU-HOLE



Part Number
JS203011CQN
DP3T

Shown in position b

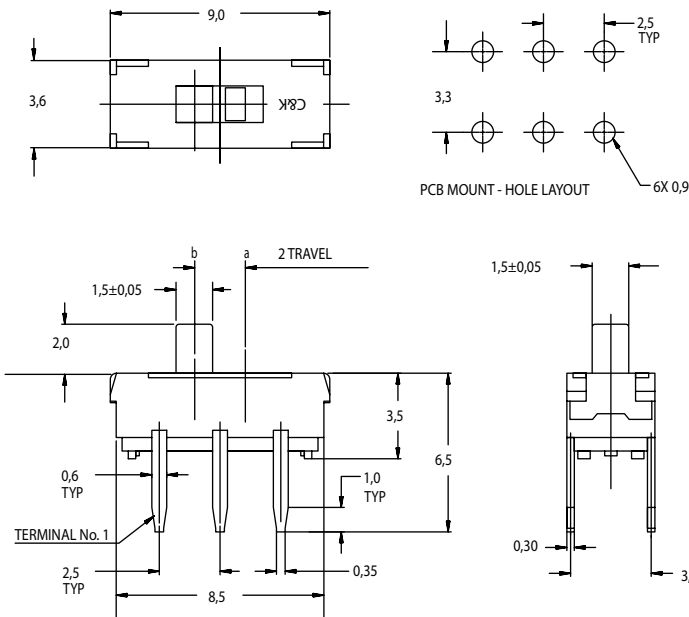


Shown in position c

Slide

JS Series Sub-Miniature Slide Switches

PC THRU-HOLE



Part Number
JS202011CQN
DPDT

Shown in position a

Shown in position b

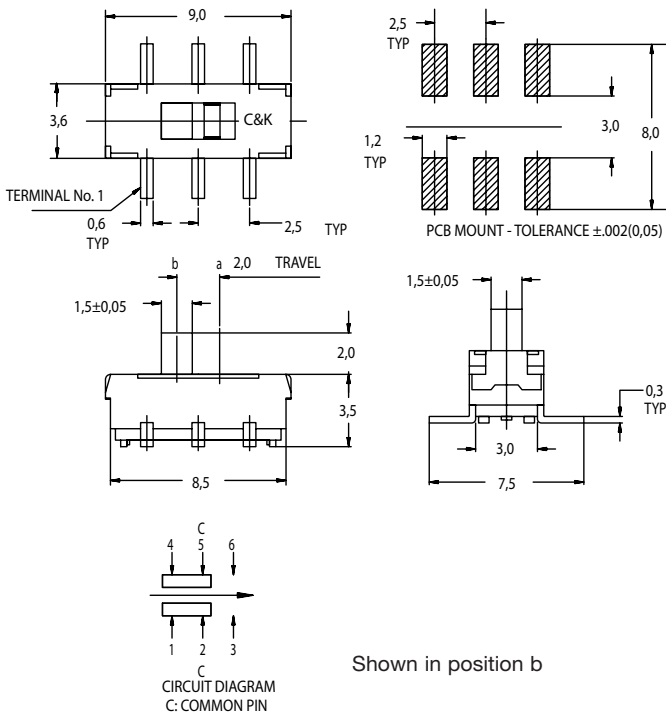


Slide

SURFACE MOUNT

Part number
JS202011SCQN
DPDT

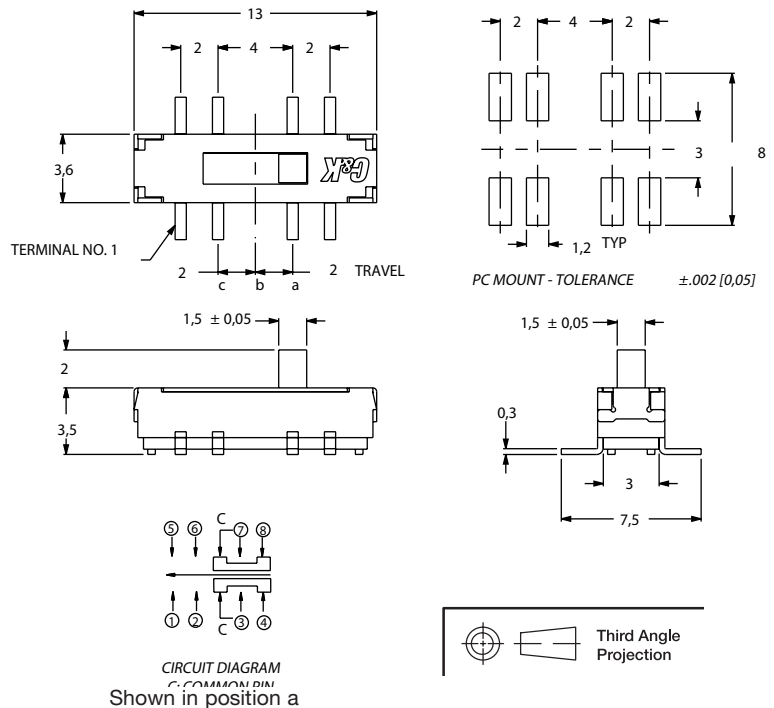
Shown in position b. Quantity per reel 1000
Available in tape & reel only, see page I-58



Shown in position b

Part number
JS203011SCQN
DP3T

Quantity per reel 900
Available in tape & reel only, see page I-60



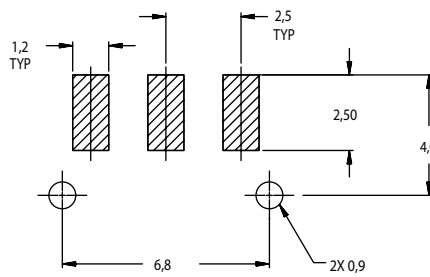
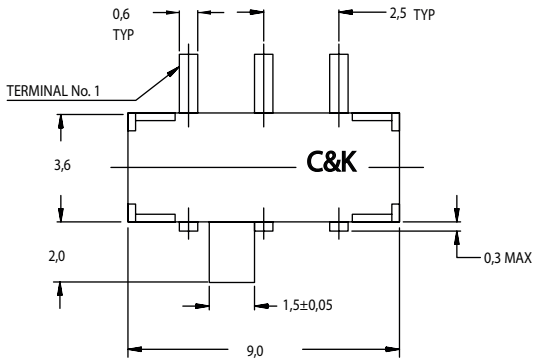
Shown in position a



Third Angle
Projection

JS Series Sub-Miniature Slide Switches

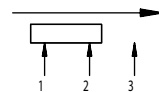
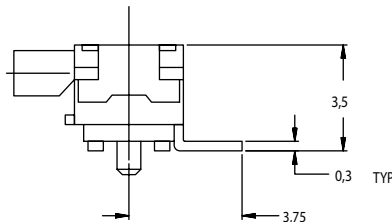
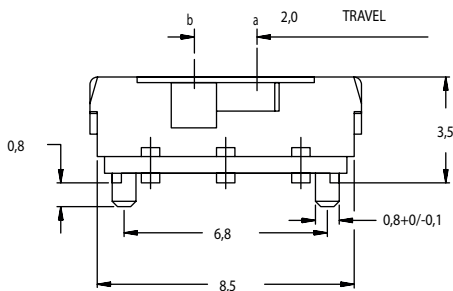
RIGHT ANGLE SURFACE MOUNT



Part Number
JS102011SAQN
SPDT

Shown in position a

Available in tape & reel only, see page I-59

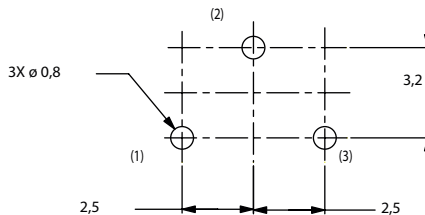
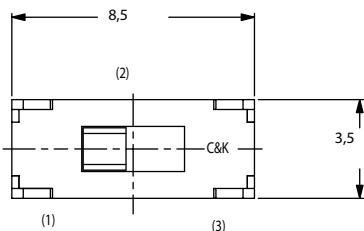


CIRCUIT DIAGRAM
C: COMMON PIN

Shown in position b

Slide

PC THRU-HOLE

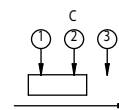
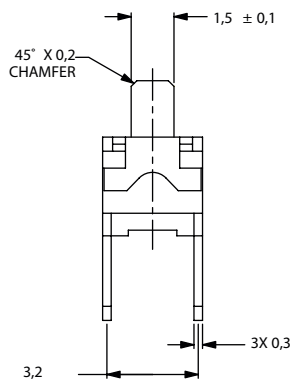
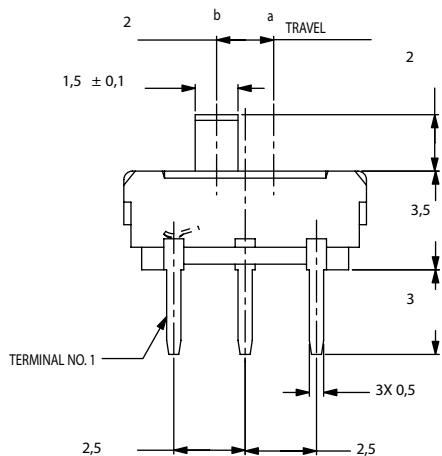


PCB LAYOUT RECOMMENDED



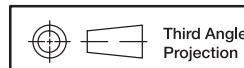
Part Number
JS102011CQN
SPDT

Shown in position a



SCHMATIC

Shown in position b

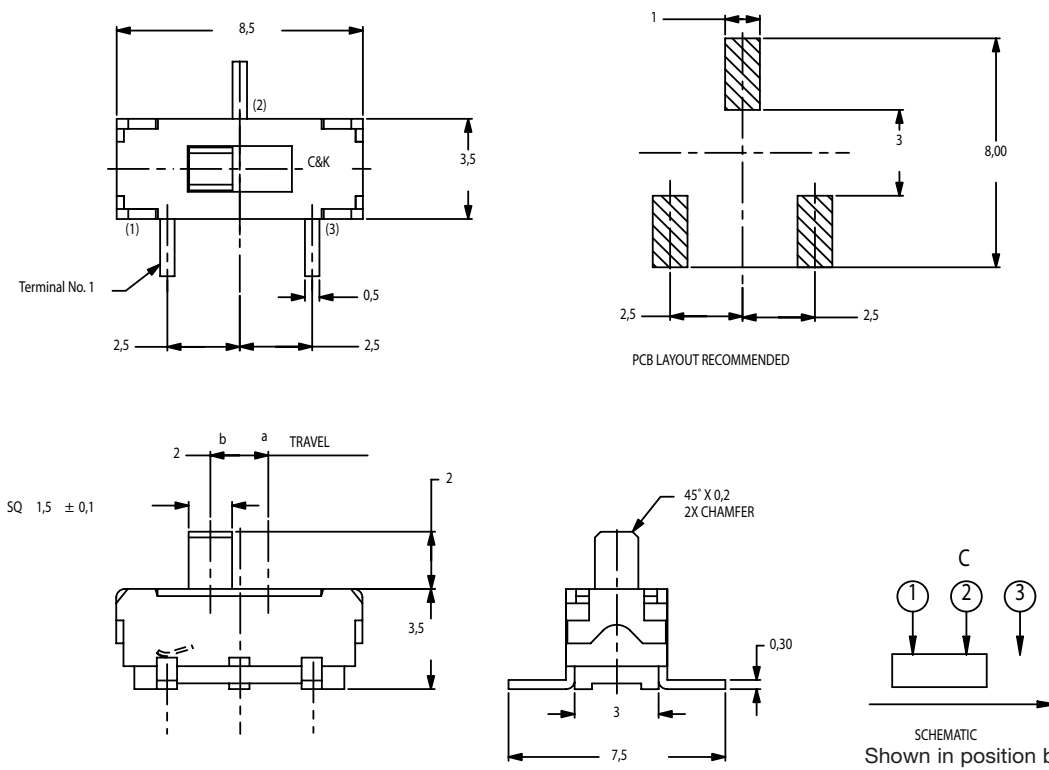


Third Angle
Projection

Dimensions are shown: mm
Specifications and dimensions subject to change

JS Series Sub-Miniature Slide Switches

SURFACE MOUNT



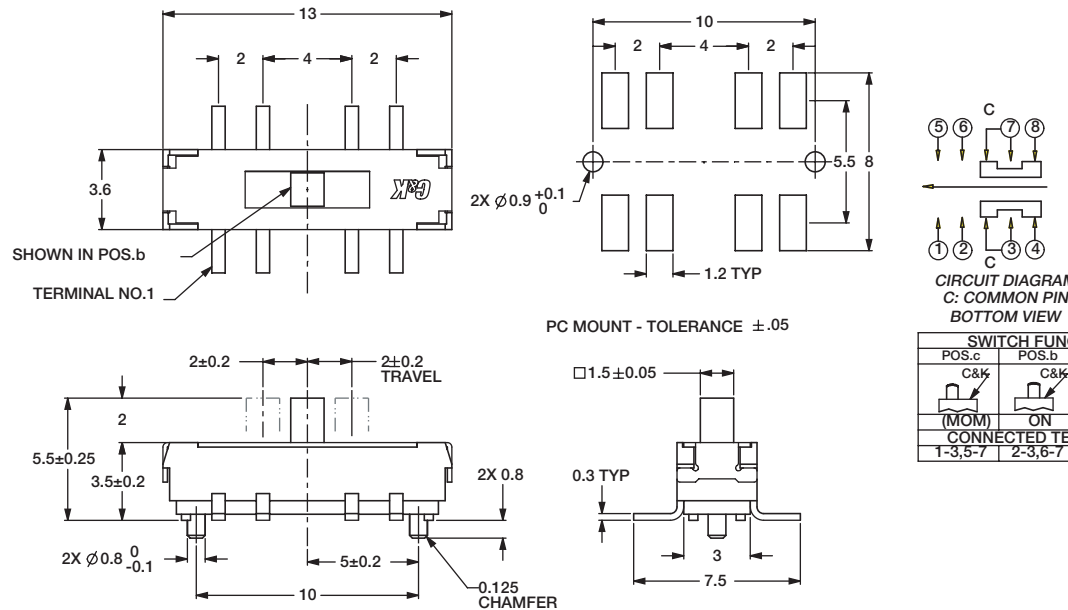
Part Number
JS102011SCQN
SPDT

Shown in position a
Available in tape & reel
only, see page I-59



Slide

SURFACE MOUNT

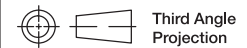


Part Number
JS207011SCQNR
DP3T

Shown in position b

Available in tape & reel
only, see page I-58

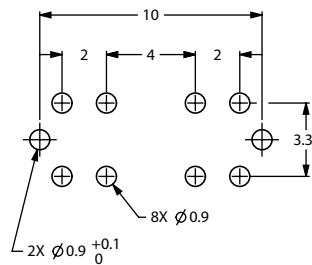
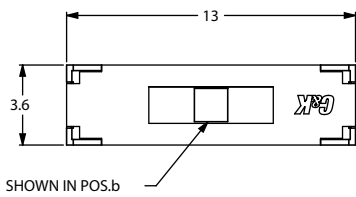
SWITCH FUNCTION		
POS.c	POS.b	POS.a
(MOM)	ON	ON
CONNECTED TERMINALS		
1-3,5-7	2-3,6-7	3-4,7-8



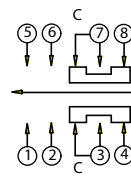
Third Angle
Projection
Dimensions are shown: mm
Specifications and dimensions subject to change

JS Series Sub-Miniature Slide Switches

PC THRU-HOLE



PC MOUNT - TOLERANCE ± 0.05



CIRCUIT DIAGRAM
C: COMMON PIN
BOTTOM VIEW

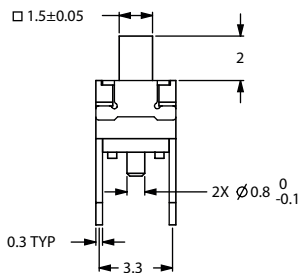
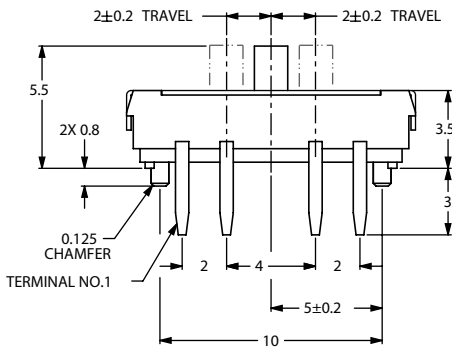
SWITCH FUNCTION		
POS.c	POS.b	POS.a
(MOM)	ON	ON
CONNECTED TERMINALS		
1-3,5-7	2-3,6-7	3-4,7-8

NEW

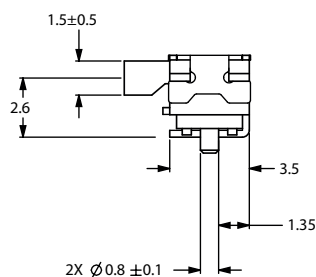
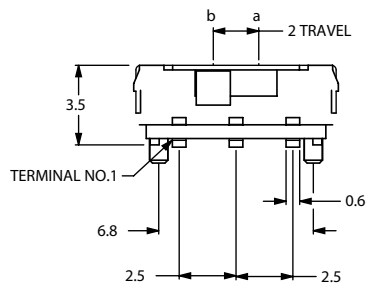
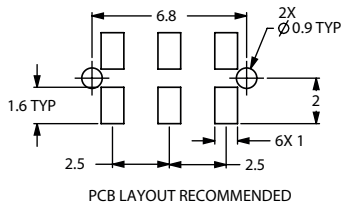
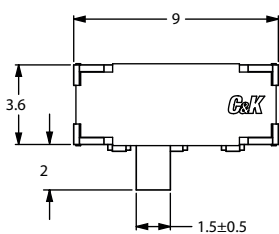


Part Number
JS207011CQNR
DP3T

Shown in position b



RIGHT ANGLE SURFACE MOUNT



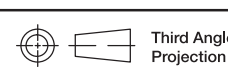
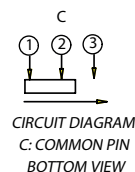
NEW



Part Number
JS102011JAQN
SPDT

Shown in position

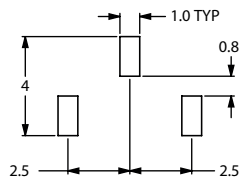
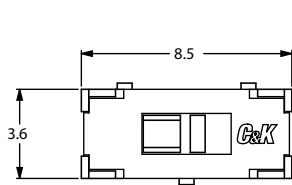
Available in tape & reel
only, see page I-59



Dimensions are shown: mm
Specifications and dimensions subject to change

JS Series Sub-Miniature Slide Switches

VERTICAL MOUNT SMT - J BEND



PCB LAYOUT RECOMMENDED



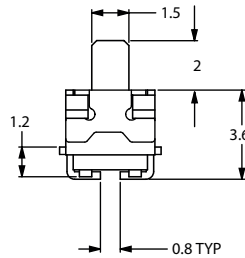
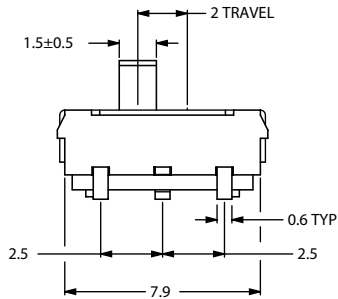
CIRCUIT DIAGRAM
C: COMMON PIN
BOTTOM VIEW



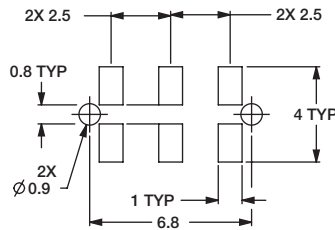
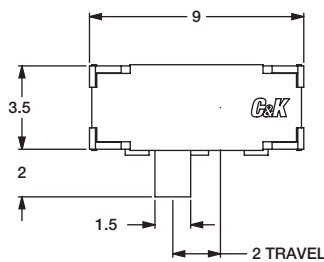
NEW

Part Number
JS102011JCQN
SPDT

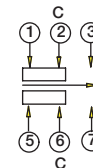
Available in tape & reel
only, see page I-59



RIGHT ANGLE SURFACE MOUNT



PCB LAYOUT RECOMMENDED



CIRCUIT DIAGRAM
C: COMMON PIN
BOTTOM VIEW

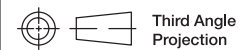
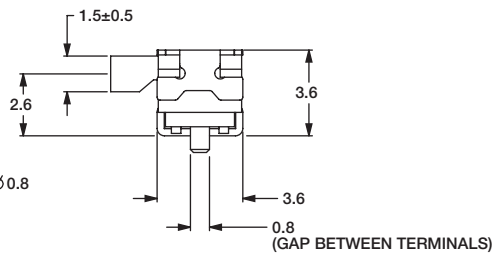
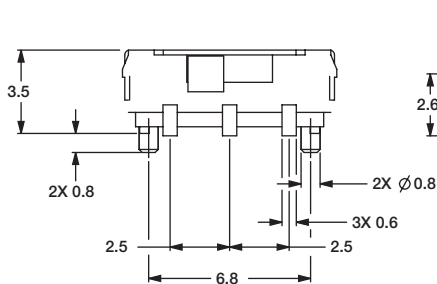


NEW

Part Number
JS202011JAQN
DPDT

Shown in position

Available in tape & reel
only, see page I-61

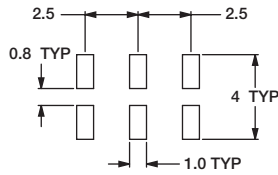
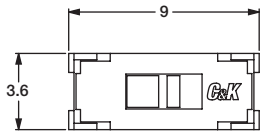


Third Angle
Projection

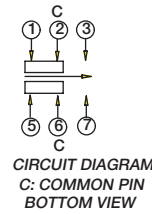
Dimensions are shown: mm
Specifications and dimensions subject to change

JS Series Sub-Miniature Slide Switches

VERTICAL MOUNT SMT - J BEND



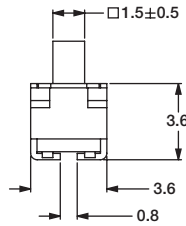
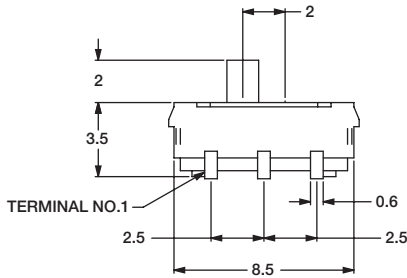
PCB LAYOUT RECOMMENDED



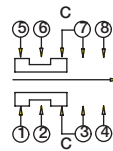
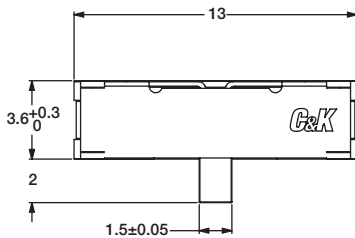
Part Number
JS202011JCQN
DPDT

Shown in position

Available in tape & reel
only, see page I-61



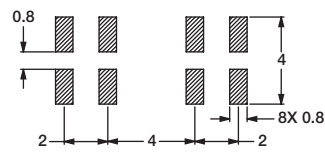
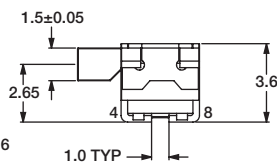
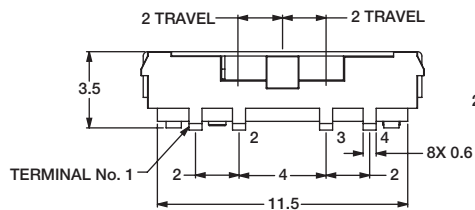
RIGHT ANGLE MOUNT SMT - J BEND



Part Number
JS203011JAQN
DP3T

Shown in position

Available in tape & reel
only, see page I-60



PCB LAYOUT RECOMMENDED

JS Series Sub-Miniature Slide Switches

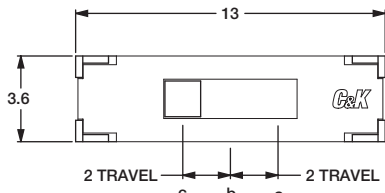
VERTICAL MOUNT SMT - J BEND

NEW

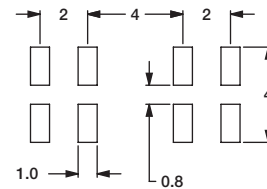
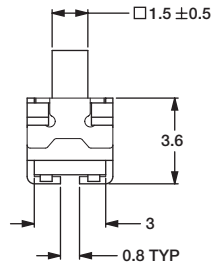
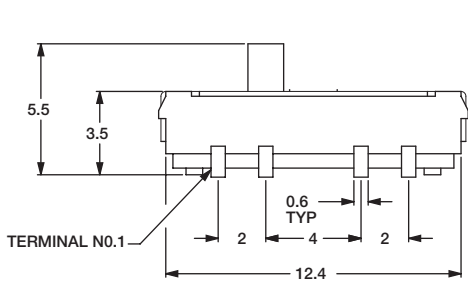
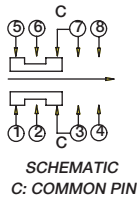


Part Number
JS203011JCQN
DP3T

Shown in position b
Available in tape & reel
only, see page I-60



Shown in position c



PCB LAYOUT RECOMMENDED



Slide

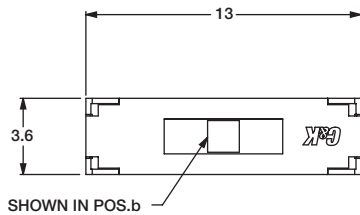
SURFACE MOUNT - J BEND

NEW

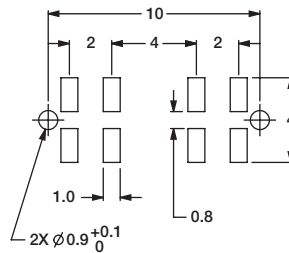


Part Number
JS207011JCQNR
DP3T

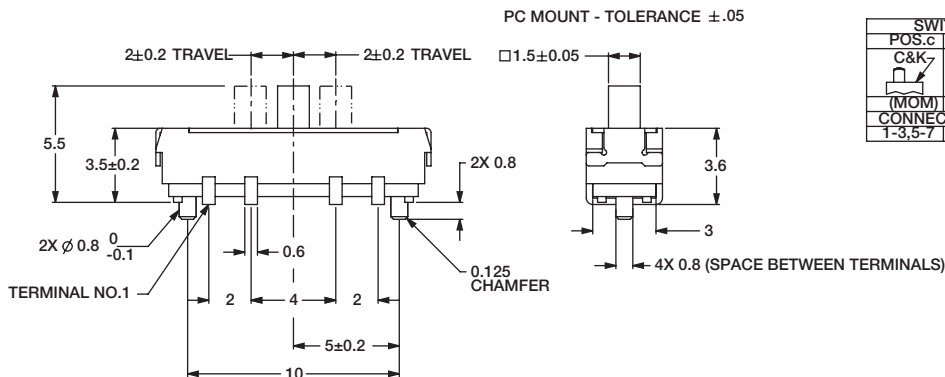
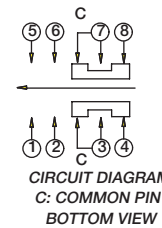
Available in tape & reel
only, see page I-58



SHOWN IN POS.b



PC MOUNT - TOLERANCE ±.05



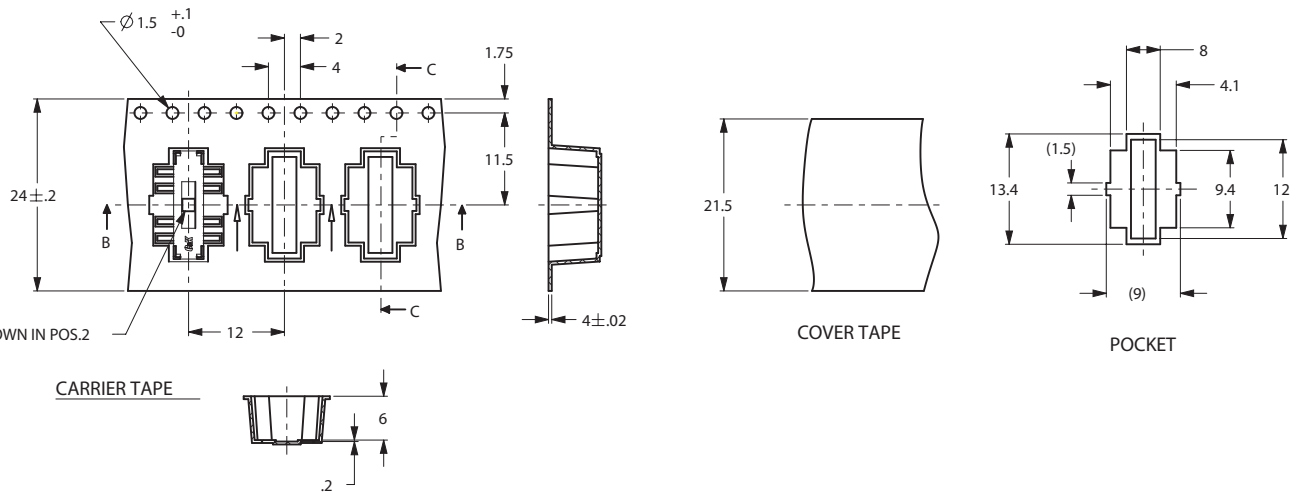
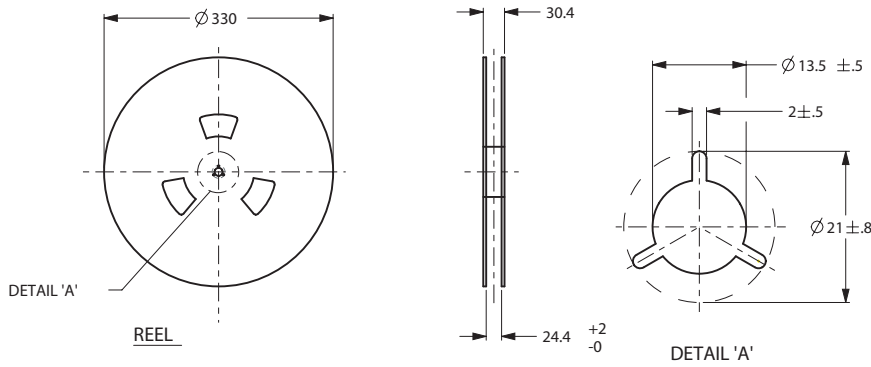
SWITCH FUNCTION		
POS.c	POS.b	POS.a
C&K- (MOM)	C&K- ON	C&K- ON
CONNECTED TERMINALS		
1-3,5-7	2-3,6-7	3-4,7-8

JS Series Sub-Miniature Slide Switches

TAPE AND REEL FOR PART NUMBER JS207011SCQNR, JS207011JCQNR

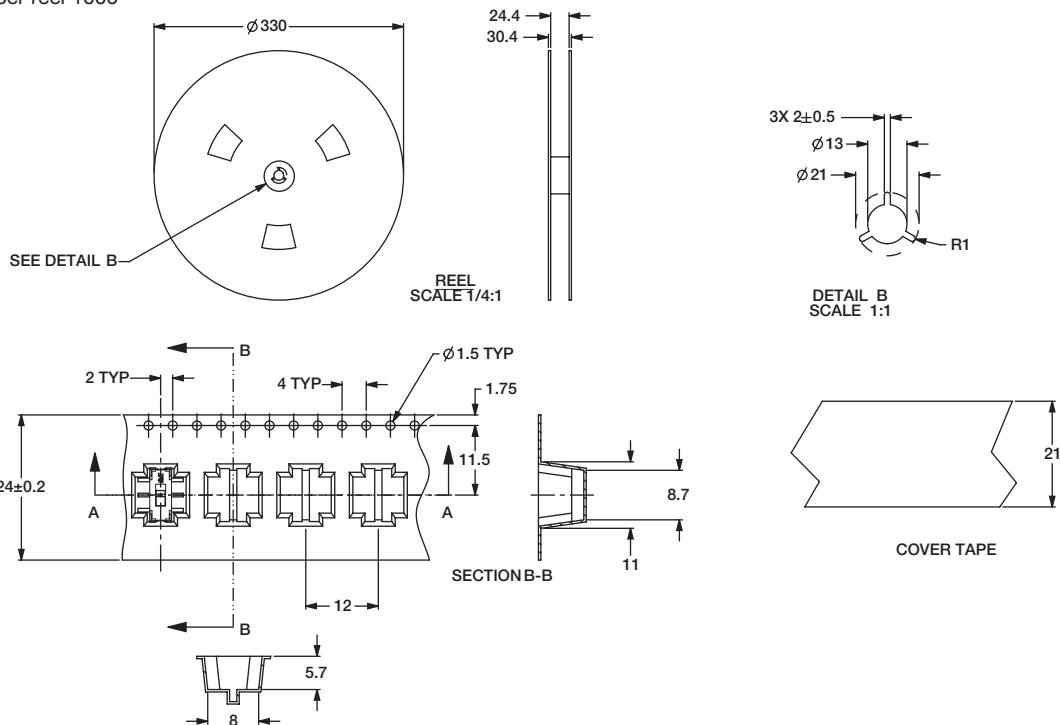
Quantity per reel 800

PACKING DETAIL 800 PCS



TAPE AND REEL FOR PART NUMBER JS202011SCQN

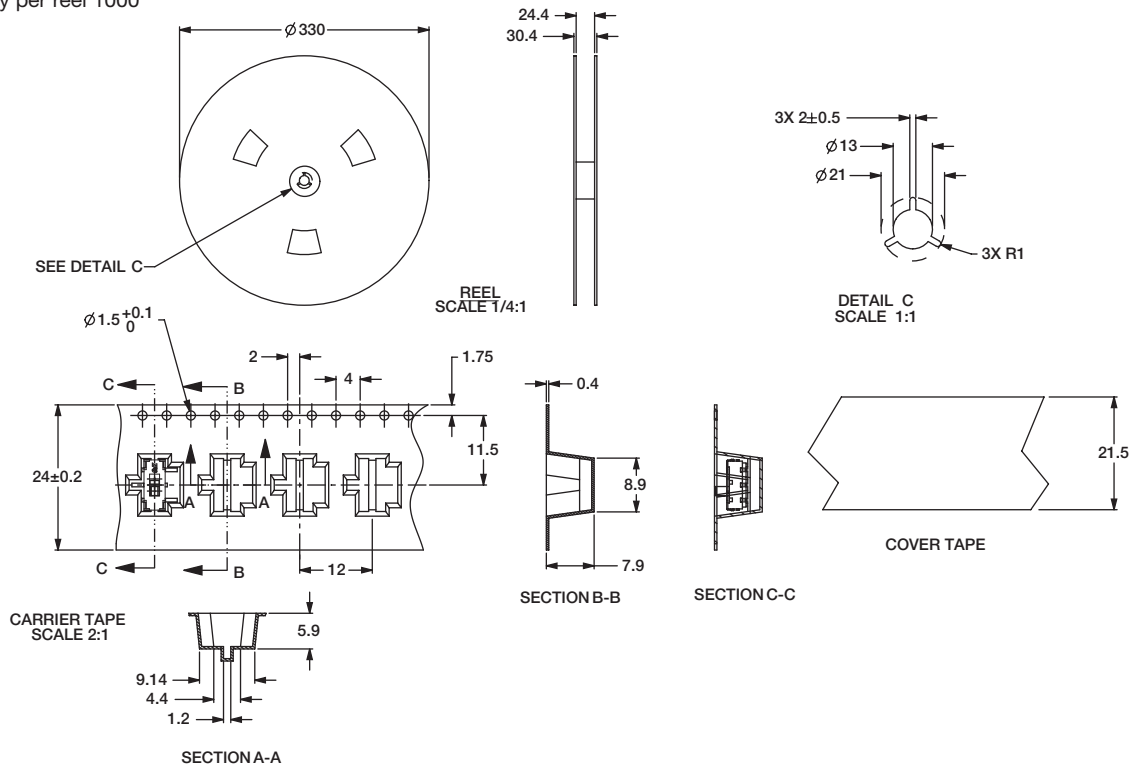
Quantity per reel 1000



Slide

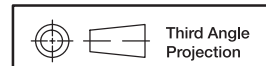
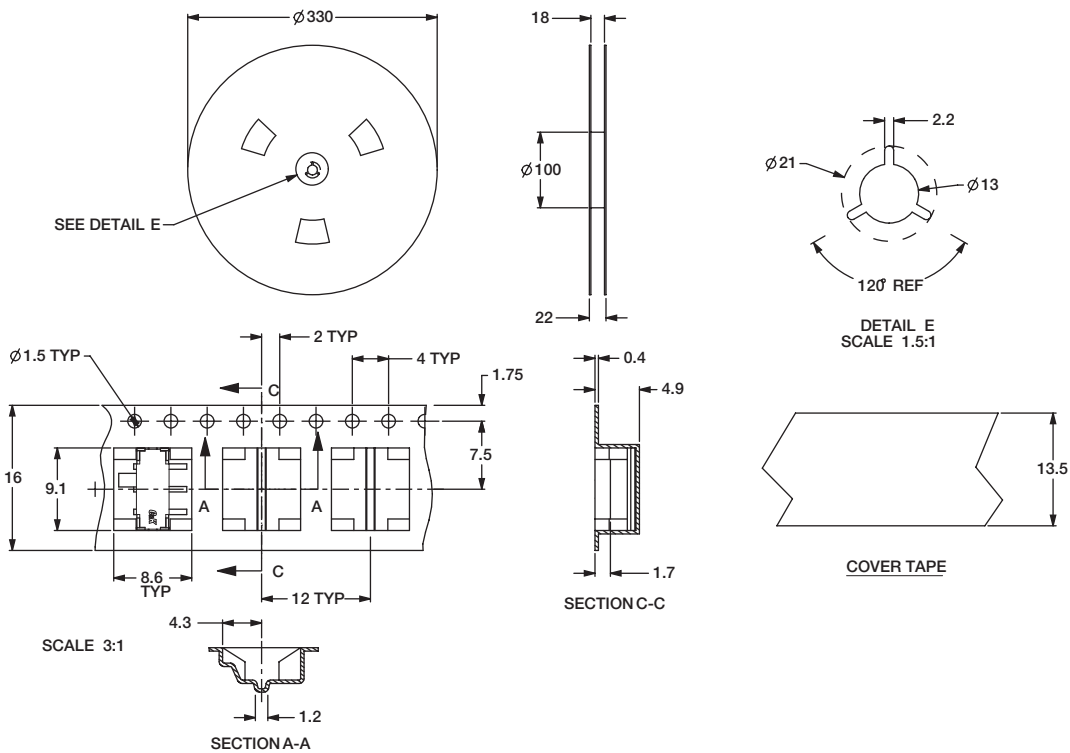
JS Series Sub-Miniature Slide Switches

TAPE AND REEL FOR
PART NUMBER JS102011SCQN, JS102011JCQN
Quantity per reel 1000



TAPE AND REEL FOR PART NUMBER JS102011SAQN, JS102011JAQN

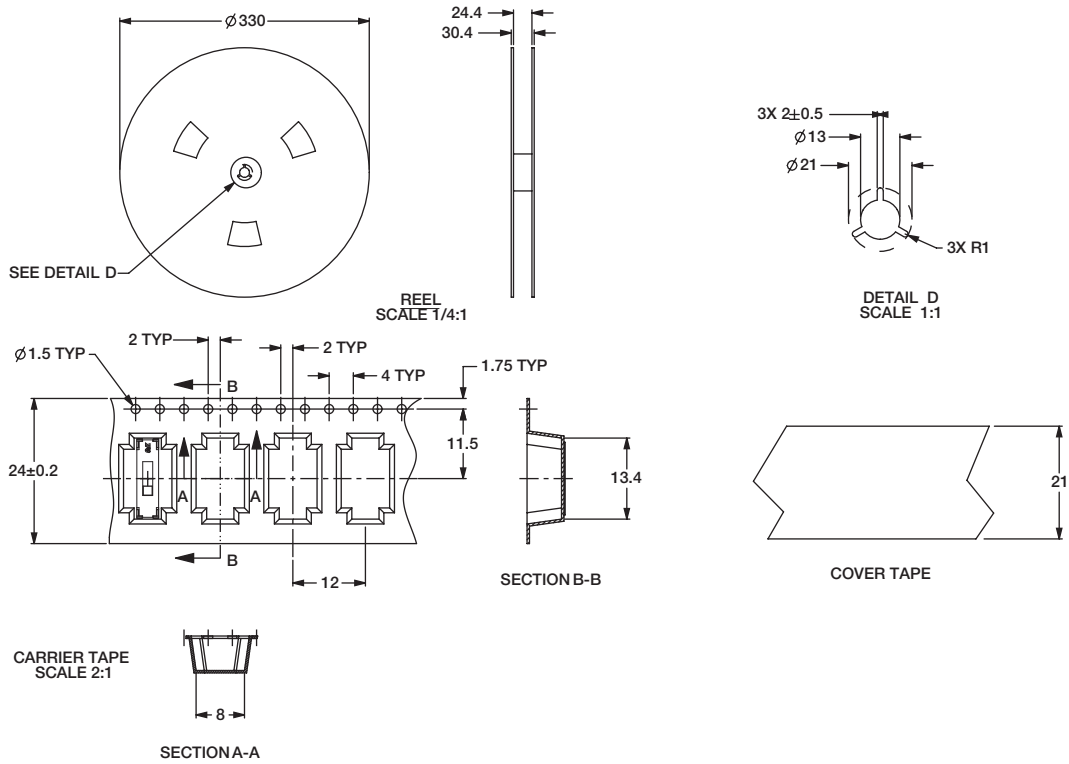
Quantity per reel 1000



Dimensions are shown: mm
Specifications and dimensions subject to change

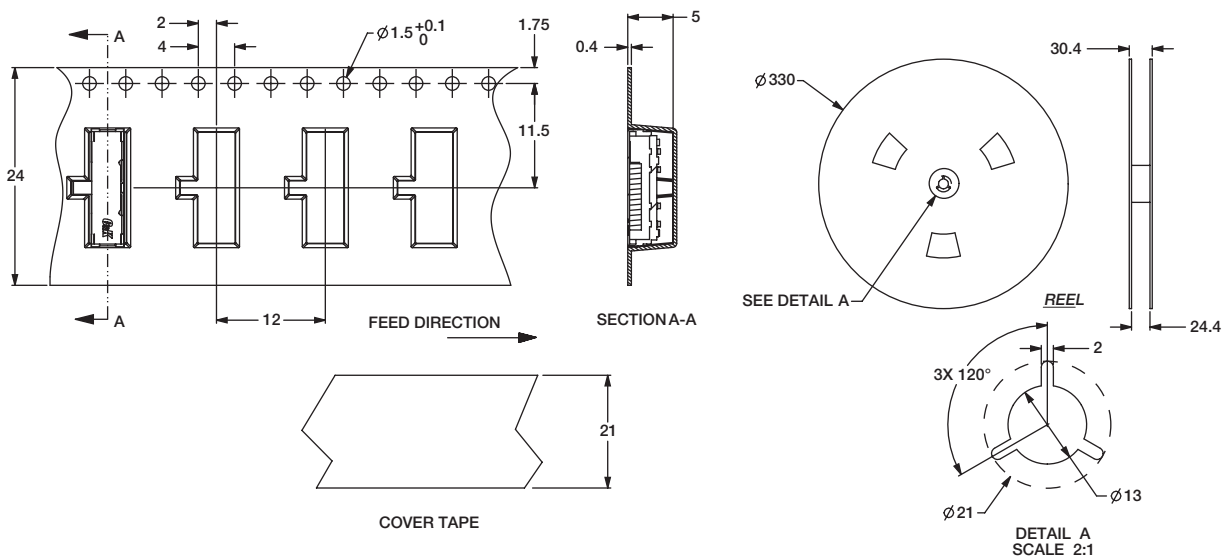
JS Series Sub-Miniature Slide Switches

TAPE AND REEL FOR PART NUMBER JS203011SCQN, JS203011JCQN
Quantity per reel 900



TAPE AND REEL FOR PART NUMBER JS203011JAQN

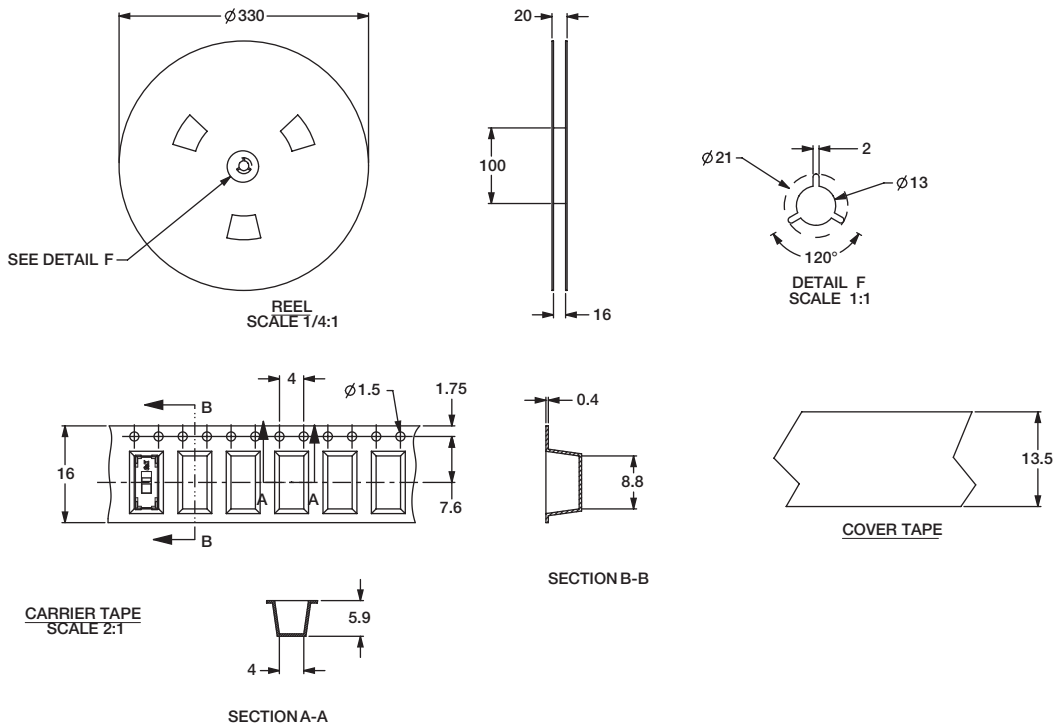
Quantity per reel 1000



JS Series Sub-Miniature Slide Switches

TAPE AND REEL FOR PART NUMBER JS202011JCQN

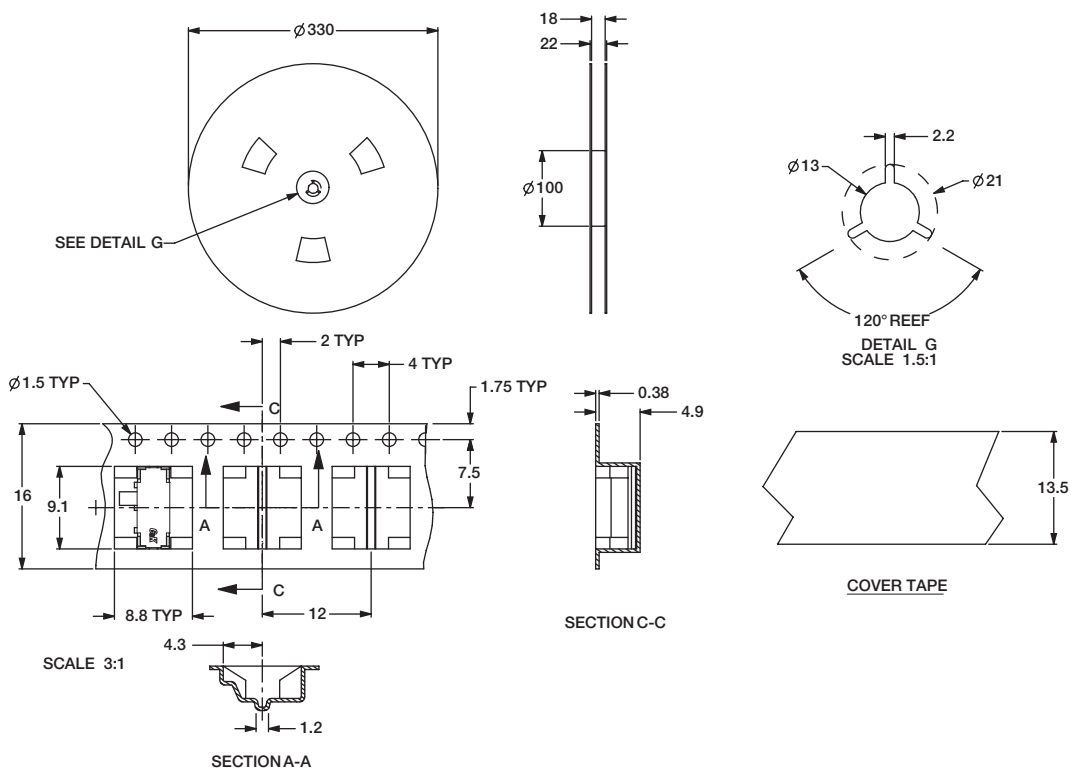
Quantity per reel 1300



Slide

TAPE AND REEL FOR PART NUMBER JS202011JAQN

Quantity per reel 1000



JS Series Sub-Miniature Slide Switches

RIGHT ANGLE SURFACE MOUNT

LOW PROFILE .028±.004 (0.7±0.1) HIGH



Part Number
JS102000SAQN
SPDT

Specifications

CONTACT RATING: 5 VDC @ 1mA

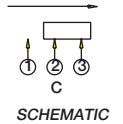
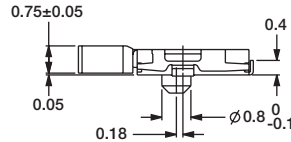
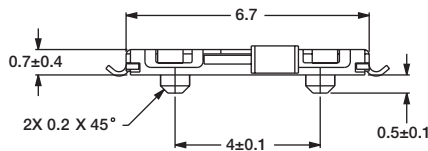
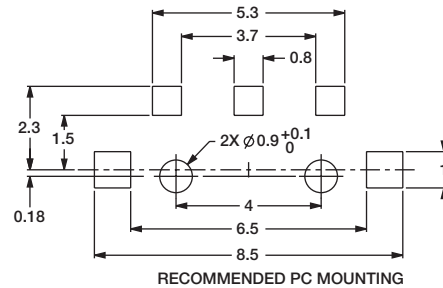
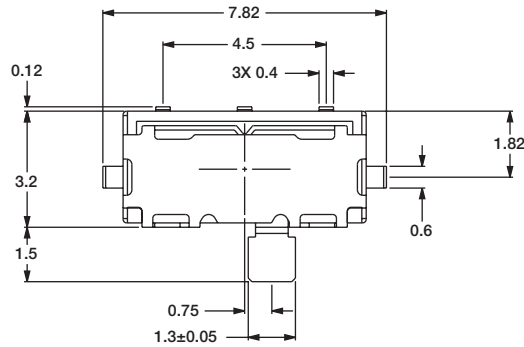
ELECTRICAL LIFE: 15,000 cycles.

CONTACT RESISTANCE: <100 m ohms (initial) <200 m ohms (after processing).

INSULATION RESISTANCE: 100 m ohms @500 VDC.

DIELECTRIC STRENGTH: 250 VAC.

OPERATING TEMPERATURE: -40°C to +85°C



TAPE AND REEL FOR PART NUMBER JS102000SAQN

Quantity per reel 4000

