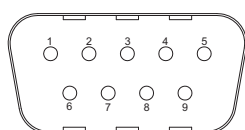
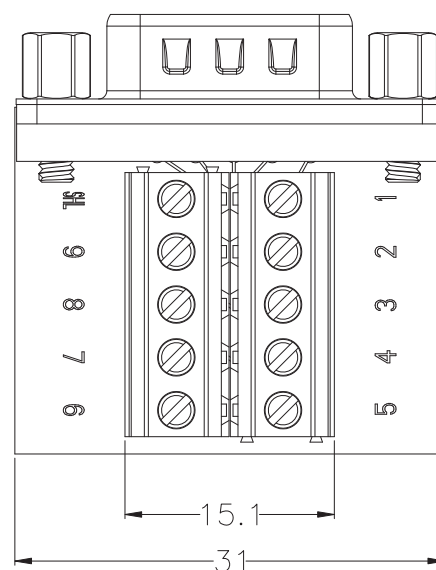
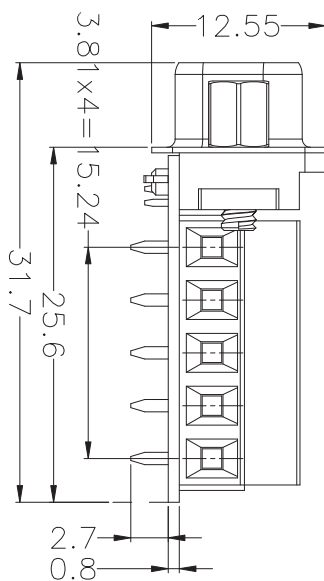
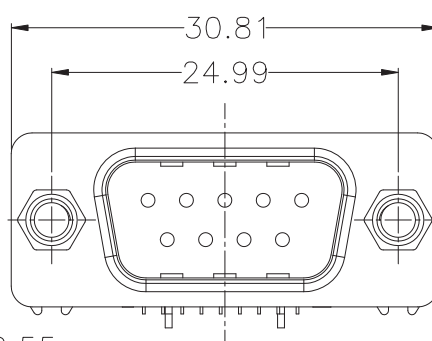
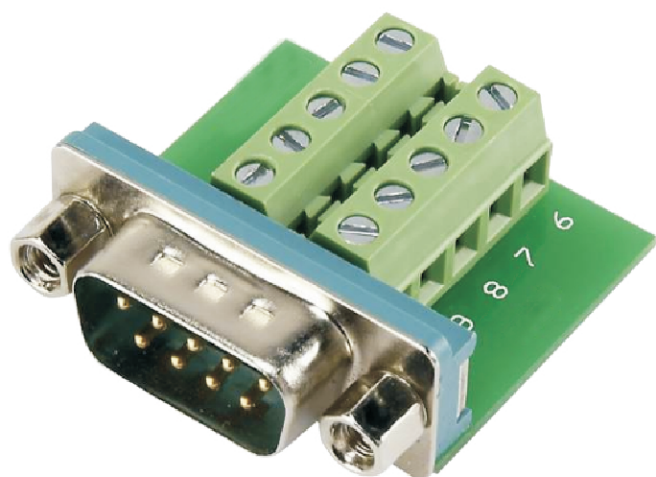


Breakout Board Terminal Adaptor D-Sub 9Pin, Male, 10 Contacts Terminal block



Terminal	D-Sub
1	1
2	2
3	3
.	.
.	.
.	.
.	.
9	9
SHL	shell

Specification

Rating Voltage:	30VDC
Rating Current:	0.5A
Contact resistance:	30mΩ max.
Insulating resistance:	min. 100mΩ/500VDC
Operating temperature:	-40° ~ 85°C