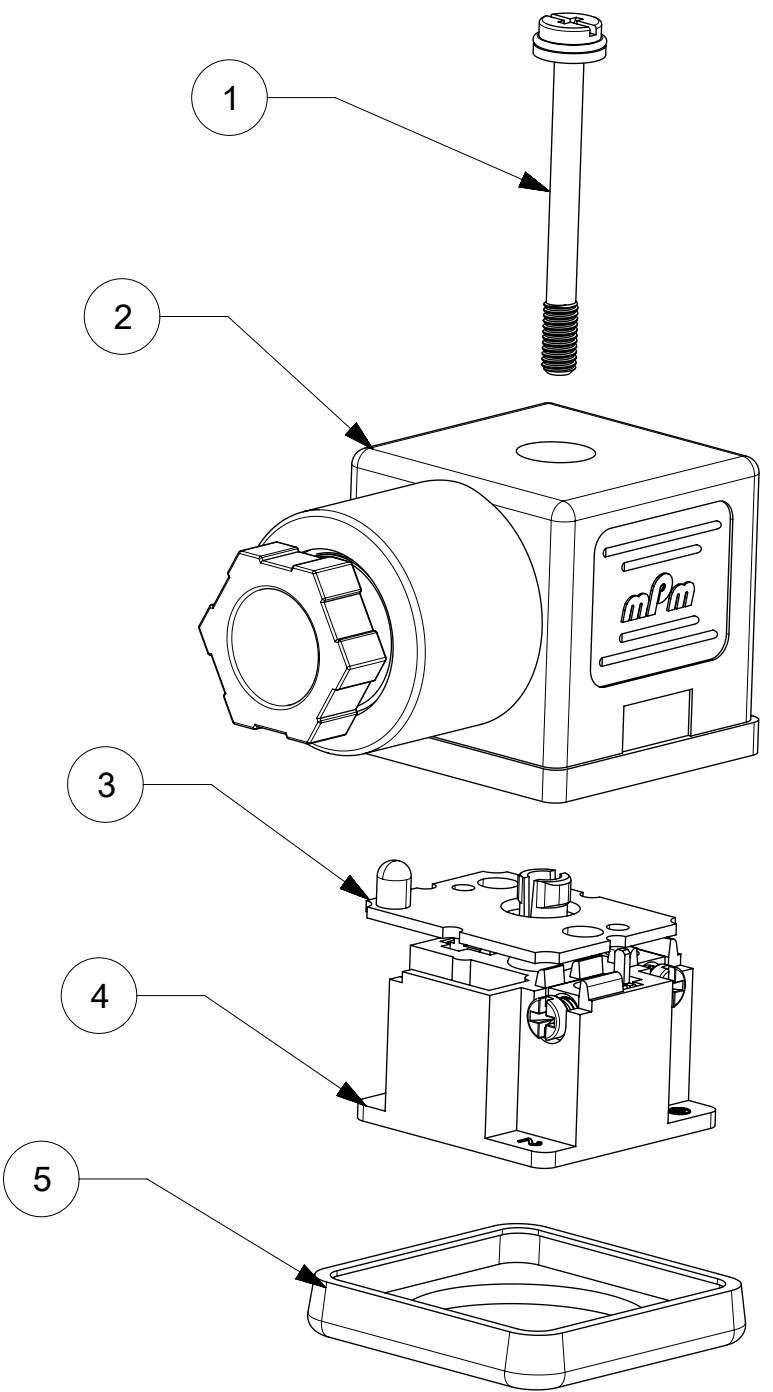


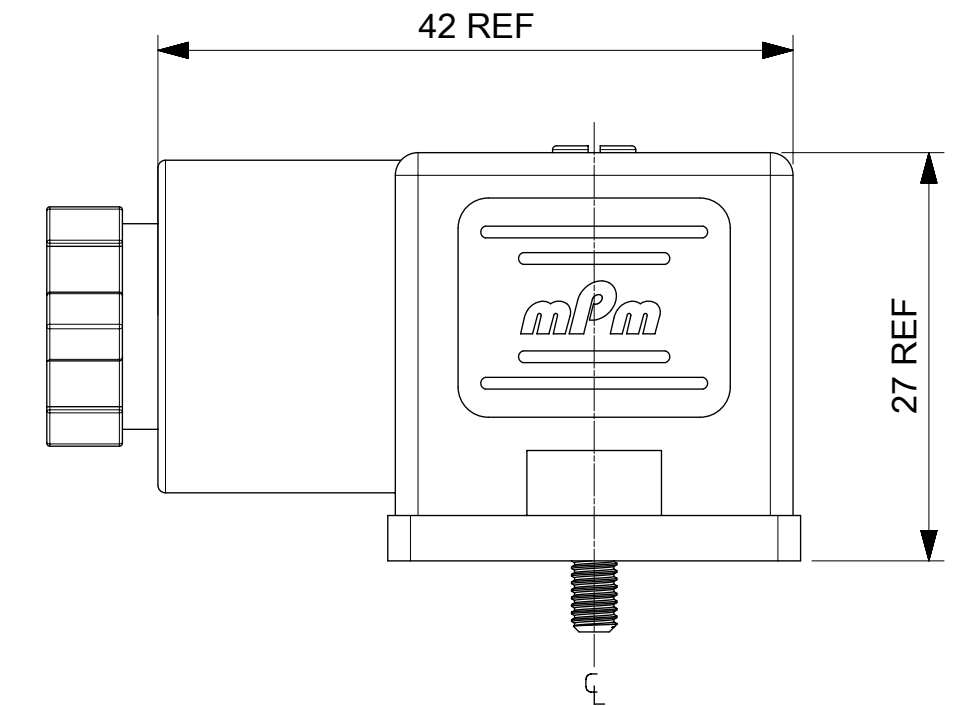
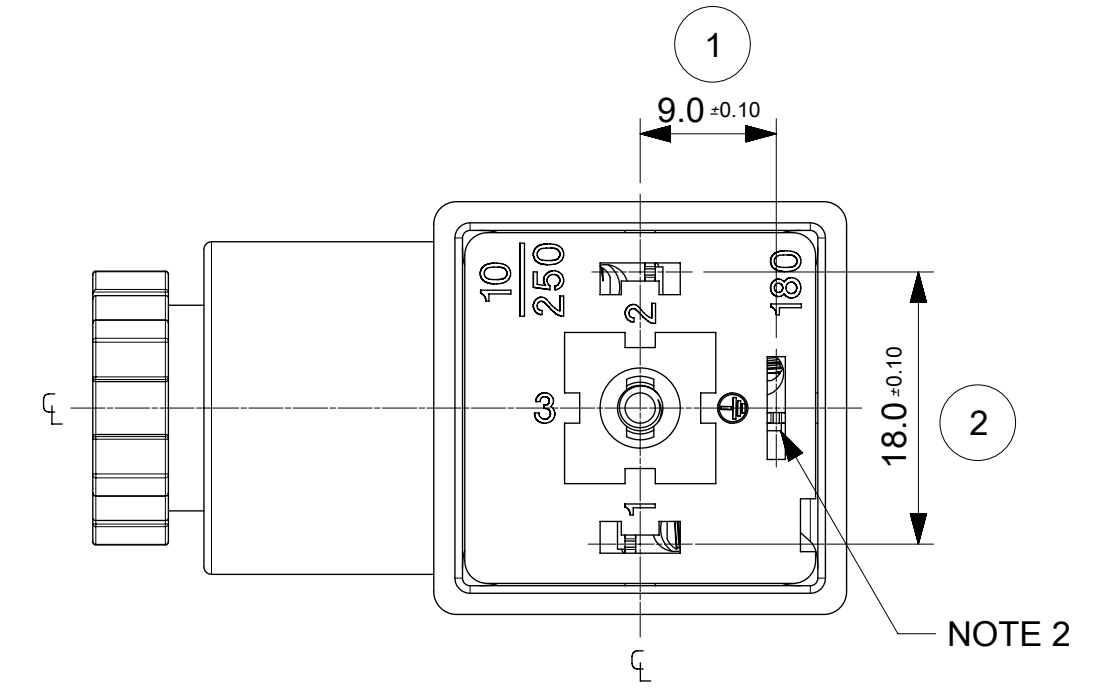
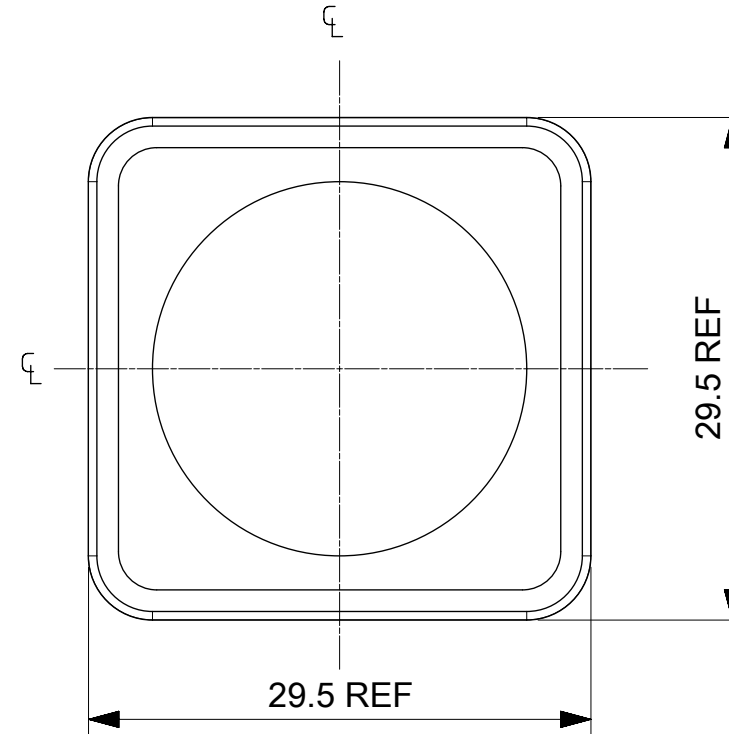
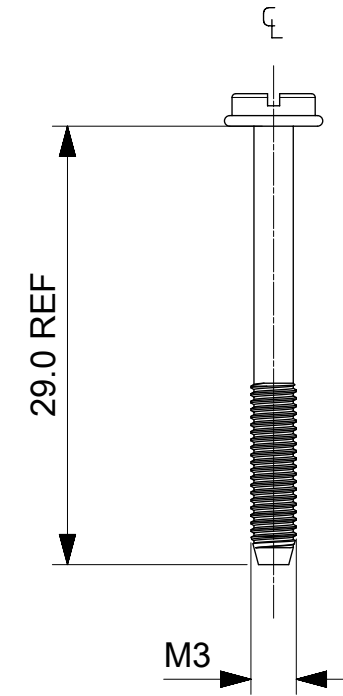
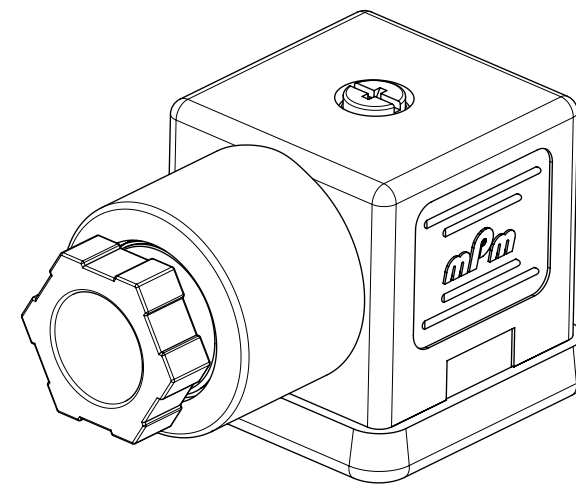
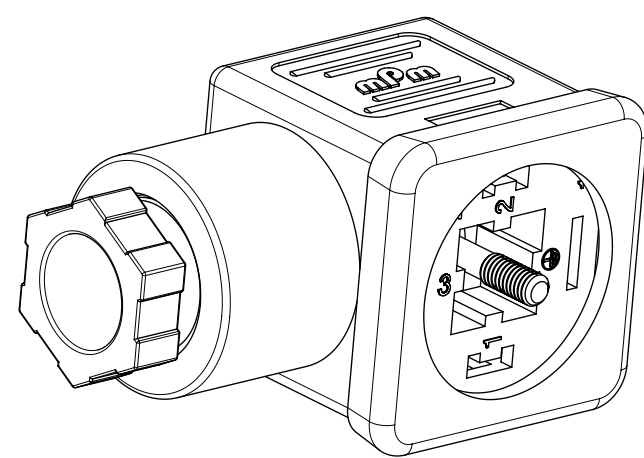
S18 3 09 T A1 2 2 **

SERIES _____
 S18= INTERNAL THREAD FORM A
 POLES _____
 2= 2 POLE & 3= 3 POLE
 THREAD _____
 09= PG9, 11= PG11, M6=M16x1.5, M0= M20x1.5, 12= 1/2" GAS 13= 1/2" NPTF
 MATERIAL AND HOUSING COLOUR _____
 G= PA6 GRAY, N= PA6 BLACK, W= PA6 BLACK V0, T= PA12 TRANSPARENT,
 B= PA6 WHITE
 CIRCUIT _____
 SEE DETAILS IN CATALOGUE
 VOLTAGE _____
 SEE DETAILS IN CATALOGUE
 SCREW AND GASKET _____
 1= NBR PROFILE GASKET & SCREW
 2= NBR FLAT GASKET & SCREW
 3= WHITE SILICON PROFILE GASKET & SCREW
 4= WHITE SILICON FLAT GASKET & SCREW
 A= NBR PROFILE GASKET & SCREW +2mm
 B= NBR FLAT GASKET & SCREW +2mm
 P= SCREW WITH GROMMET (IP67) &
 NBR INTEGRATED GASKET ASSEMBLED

NON STANDARD COMPONENTS
 14= PACKED IN NEUTRAL BAG
 23= FULLY MOUNTED
 54= WITH PIN 3 AS EARTH
 65= SPECIAL GROMMET
 67= NEUTRAL PACKAGING
 84= TAMPO PRINTING ON DIODE
 3F= 24DC W/O TAMPO PRINTING
 5J= BOXES OF 100
 5N= PACKED IN BOXES OF 200
 6U= GI BY500-800 DIODE
 AF= CENTRE SCREW MOUNTED
 AG= DIODE IN4948
 P7= IP67 COMPLIANT
 SA= UL LISTED PART
 CZ= GROMMET 4 DISCRETE WIRES



ITEM	DESCRIPTION
1	SCREW
2	COVER ASSEMBLY
3	PCB
4	INSERT ASSEMBLY
5	GASKET



NOTES

- PLEASE SEE EXCEL SHEET 1210640002_PDP FOR CURRENTLY CONFIGURED PART NUMBERS.
 FOR SPECIFIC PART NUMBERS PLEASE CONTACT SALES OR CONSULT THE INTELLIGENT PART NUMBER ON THE TOP LEFT OF THIS PAGE.
- EARTH POSITION SHOWN, H12.
- FOR PACKAGING SEE PACKAGING SPEC PK-121064-S18
- PRODUCT SPEC: SEE PS-121201-001

LAST INSPECTION NUMBER 2

THIS DRAWING CONTAINS INFORMATION THAT IS PROPRIETARY TO MOLEX ELECTRONIC TECHNOLOGIES, LLC AND SHOULD NOT BE USED WITHOUT WRITTEN PERMISSION		GENERAL TOLERANCES (UNLESS SPECIFIED)		DIMENSION UNITS		SCALE		molex S18 SERIES INTERNAL THREAD			
				MM		1.5:1					
EC NO: 108491		2016/12/22		ANGULAR TOL ±		DRWN BY		DATE		PRODUCT CUSTOMER DRAWING	
DRWN: TCLEARY		2016/12/22		4 PLACES ±		BCAFFREY		2016/04/11			
CHKD: STGRIFFIN		2016/12/22		3 PLACES ±		CHK'D BY		DATE		SERIES MATERIAL NUMBER CUSTOMER	
APPR: STGRIFFIN		2016/12/22		2 PLACES ± 0.1		TCLEARY		2016/12/16			
REV		AE		1 PLACE ± 0.2		APPR BY		DATE		121064 SEE 1210640002_PDP GENERAL MARKET	
				0 PLACES ±		STGRIFFIN		2016/04/12			
DRAFT WHERE APPLICABLE MUST REMAIN WITHIN DIMENSIONS		A2		DRAWING SIZE		THIRD ANGLE PROJECTION		DOCUMENT NUMBER		SD-121064-002	
								DOC TYPE		PSD	
								DOC PART		000	
								SHEET NUMBER		1 OF 1	