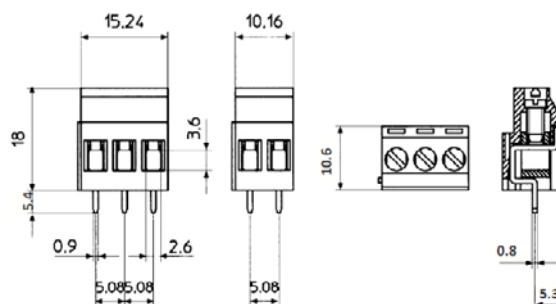
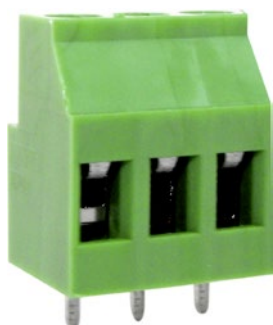


PCB Terminal Blocks

5.08 mm Pitch, Low Profile



Low profile

2-12 pole interlocking

Withstand Voltage - AC2000V/1min

Nickel plated brass wire clamp

Pin/terminal - tin plated brass

Screw/torque - M3 steel Ni plated 0.4Nm

Recommended PCB hole size \varnothing 1.6 mm

SPECIFICATION:

Pitch	5.08 mm
Termination type	Clamp Terminals/Screw Connection
Connection direction	horizontal
Rated current to EN	20 A
Rated current to UL	20 A
Rated voltage to EN	300 V
Rated voltage to UL	300 V
Connection cross-section	0.05-3.3 mm ² (30-12 AWG)
Colour	green
Temperature range	-33...+120 °C
Width	10.5 mm
Height	18 mm
Material	PA 66, UL94-V0

PRODUCT RANGE:

Art. Nr.	Poles	Length
RND 205-00287	2	10.1 mm
RND 205-00288	3	15.2 mm
RND 205-00289	4	20.3 mm
RND 205-00290	5	25.4 mm
RND 205-00291	6	30.4 mm
RND 205-00292	7	35.5 mm
RND 205-00293	8	40.6 mm
RND 205-00294	9	45.7 mm
RND 205-00295	10	50.8 mm
RND 205-00296	11	55.8 mm
RND 205-00297	12	60.9 mm