



5mm High Power Red LED 100,000MCD @70mA Water Clear

Features:

- High luminous LEDs
- 5mm standard directivity
- Long lifetime operation
- Superior weather-resistance
- UV resistant epoxy
- Water clear type

Applications

- Signage and channel letter
- Decorating and entertainment lighting
- Architectural lighting
- Outdoor/Indoor applications
- Backlighting/other lighting

Absolute maximum rating (Ta=25°C)

Item	Symbol	Value	Unit
DC forward current	I_F	70	mA
Pulse forward current*	I_{FP}	120	mA
Reverse voltage	V_R	5	V
Power dissipation	P_D	182	mW
Operating temperature	T_{opr}	-30 to +85	°C
Storage temperature	T_{stg}	-40 to +100	°C
Lead soldering temperature	T_{sol}	260°C/5sec	-

*Pulse width max. 10ms. Duty ratio max. 1/10

Electrical - Optical characteristics (Ta=25°C)

Item	Symbol	Condition	Min.	Typ.	Max.	Unit
DC forward voltage	V_F	$I_F = 20mA$ $I_F = 70mA$	1.8 -	2.1 2.5	2.5 2.9	V
DC reverse current	I_R	$V_R = 5V$	-	-	10	μA
Domi. wavelength*	λ_D	$I_F = 70mA$	619	624	629	nm
Luminous flux	Φ_V	$I_F = 70mA$	8	10	-	lm
Luminous intensity*	I_V	$I_F = 70mA$	80000	100000	-	mcd
50% Power angle	$2\theta_{1/2}$	$I_F = 70mA$	-	15	-	deg

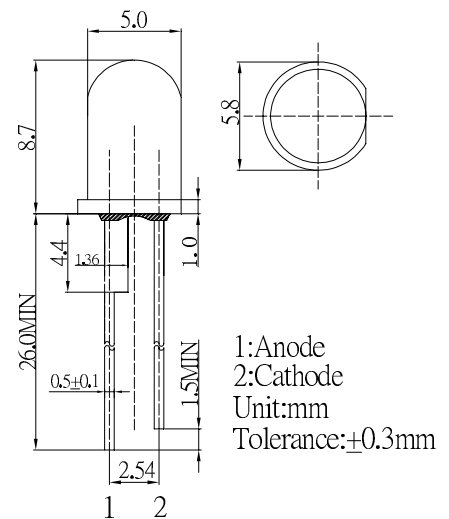
*1 Tolerance of dominant wavelength is $\pm 1nm$
*2 Tolerance of luminous intensity is $\pm 15\%$

Order code: **56-0420**

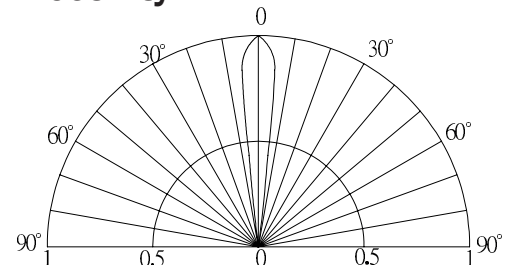
MPN: OS5RKA5111P



Outline dimensions:



Directivity:



Maximum forward DC current:

