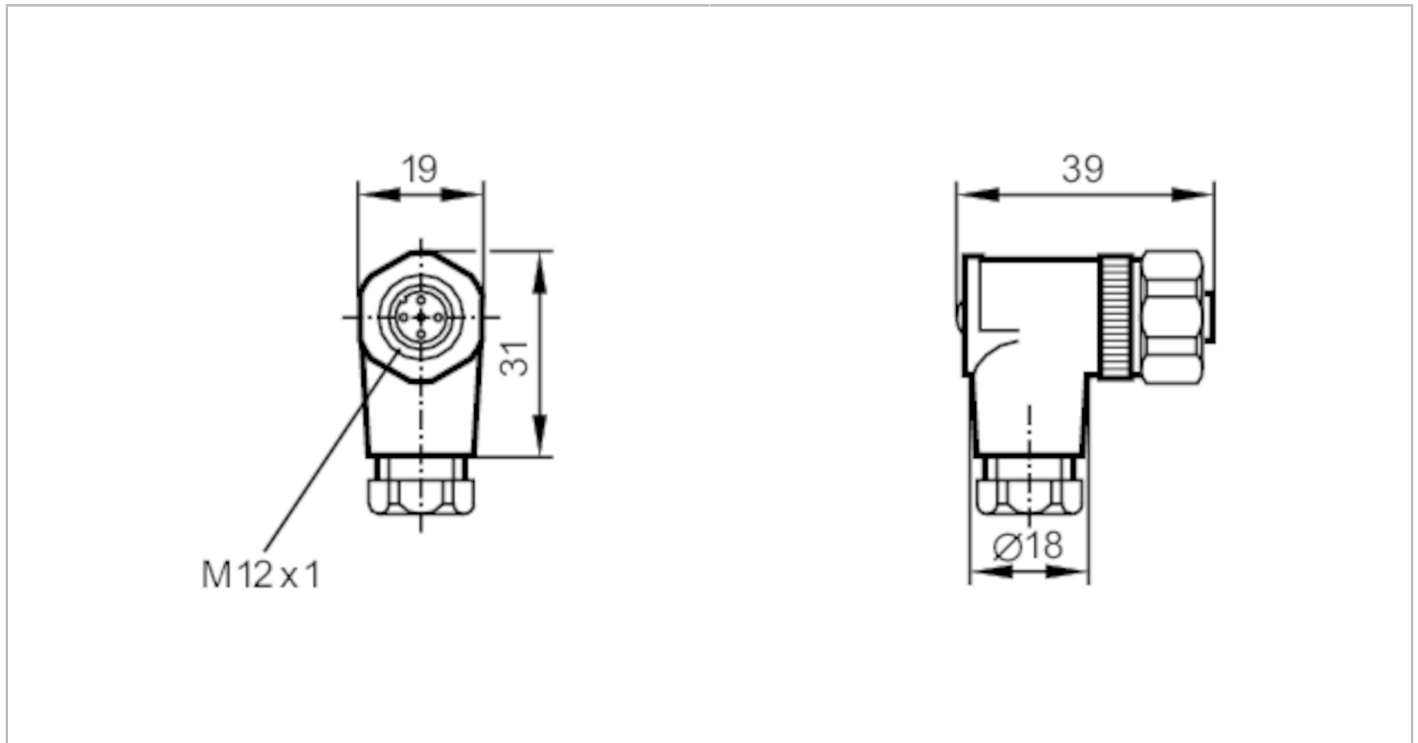


E11252



Wirable socket

SDOAH040VASFKPG

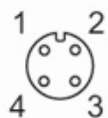


Application	
Special feature	Free from silicone; Gold-plated contacts
Free from silicone	yes
Electrical data	
Operating voltage [V]	< 45 AC / < 70 DC
Max. current load total [A]	4; (...40 °C)
Operating conditions	
Ambient temperature [°C]	-40...85
Protection	IP 68
Mechanical data	
Weight [g]	28.2
Dimensions [mm]	39 x 19 x 31
Materials	PBT
Material nut	stainless steel (1.4404 / 316L)
Remarks	
Pack quantity	1 pcs.
Electrical connection	
screw terminals: ...0.75 mm ² ; Cable sheath: Ø 6...8 mm	
Electrical connection - socket	
Connector: 1 x M12, angled; Moulded body: PBT; Locking: stainless steel (1.4404 / 316L); Contacts: gold-plated	

E11252

Wirable socket

SDOAH040VASFKPG



Connection

