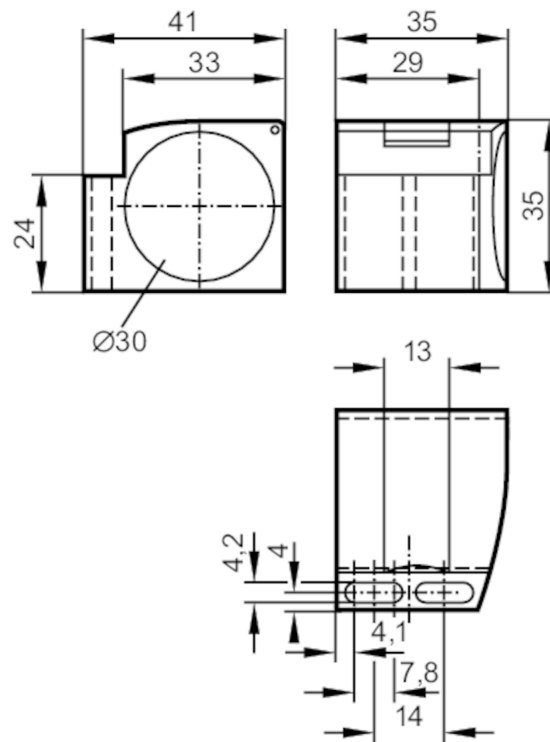


# E11996



## Mounting clamp for position sensors

MOUNTING CLAMP M30



### Application

Design	with end stop
Installation	for sensors with 45° chamfer

### Operating conditions

Ambient temperature	[°C]	-25...85
---------------------	------	----------

### Mechanical data

Weight	[g]	24
Inside diameter	[mm]	30
Materials		PC

### Remarks

Pack quantity	1 pcs.
---------------	--------