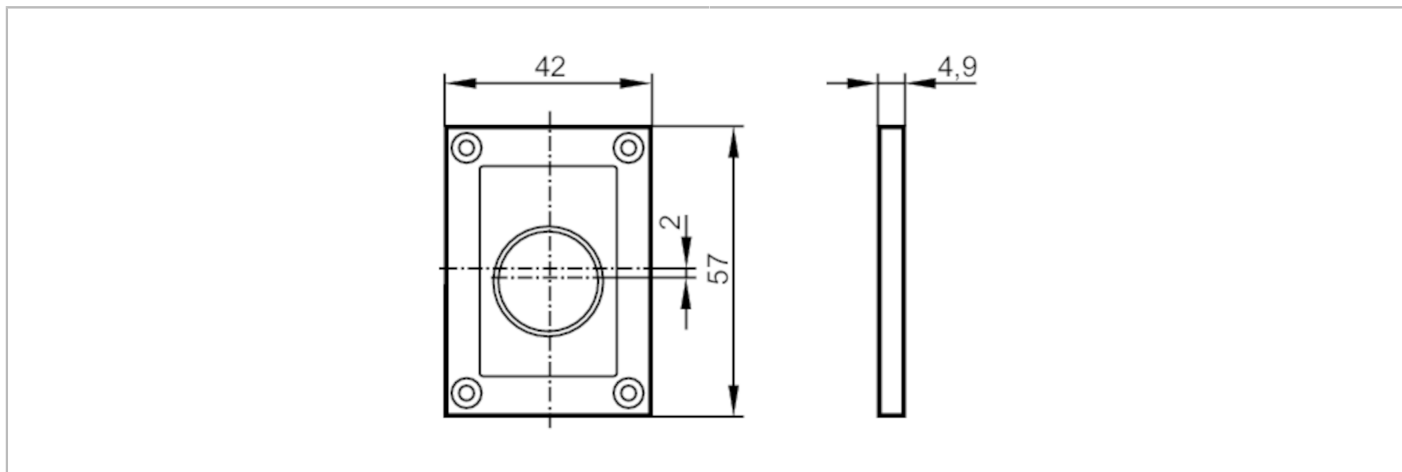


# E21165



## Diffuser for vision sensors

PLASTIC DIFFUSER WINDOW DUALIS



### Mechanical data

Weight	[g]	41
Dimensions	[mm]	57 x 42 x 4.9
Materials		housing: diecast zinc black; lens: PMMA

### Remarks

Pack quantity		1 pcs.
---------------	--	--------