

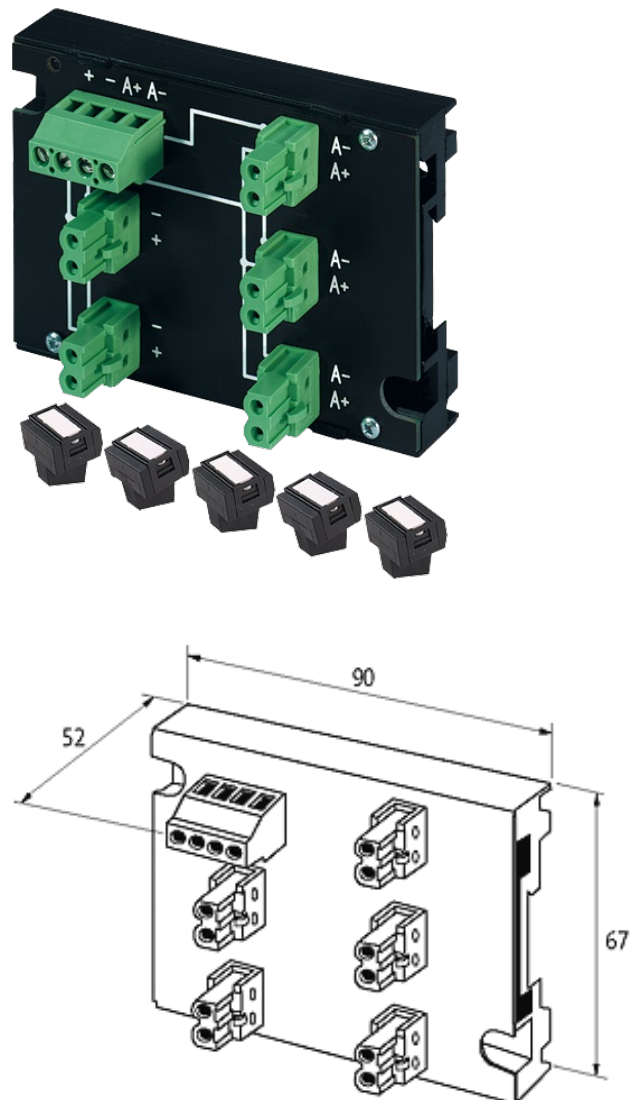
MASI20 INSTALLATION TECHNOLOGY

Distributor 2x AS-I and 3x extern power

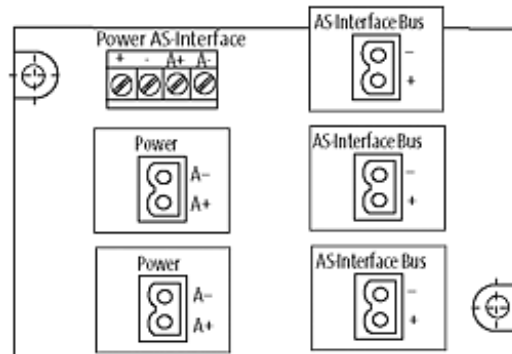
3 AS-Interface + 2 power ports
5 plug terminals included

[Link to Product](#)

Illustration



stay connected



Product may differ from Image

Approvals



Technical Data

Operating voltage	max. 36 V DC
Current per connection	max. 8 A
Total current	max. 24 A
Isolation voltage	AS-Interface/Power 200 V, (EN 60664-1)

General data

Protection	IP20
Connection	Screw terminal: single wire (0.25...4 mm ²), stranded wire (0.5...2.5 mm ²)
Mounting method	DIN-rail mountable (EN 60715)
Temperature range	-20...+70 °C
Dimensions H × W × D	52×67×90 mm

Commercial data

country of origin	CZ
customs tariff number	85366990
minimum order quantity	1