

MOSA M12 FEMALE 90° FIELD-WIREABLE (IDC)4-pol. 0.25...0.5mm²

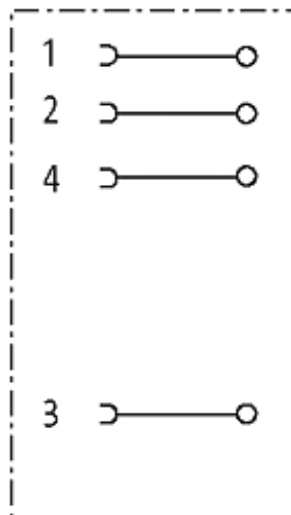
Female 90°

4-pole

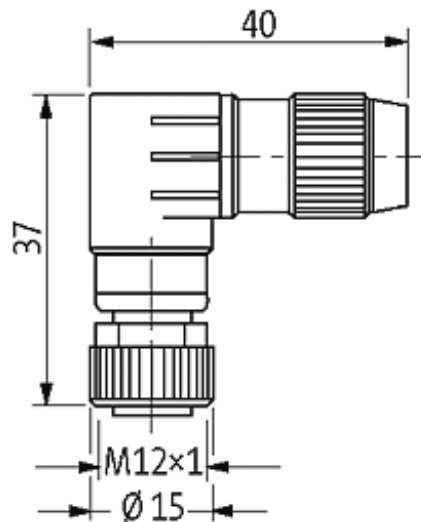
Connection cross section: 0.25...0.5 mm²

Art.-No. 7005 - M12 Lite - (plastic hexagonal screw) on request

The resistance to aggressive media should be individually tested for your application.
Further details on request.

[Link to Product](#)**Illustration**

Female



Product may differ from Image

Approvals



Form

12681

Technical Data

Operating voltage	max. 32 V AC/DC
Operating current per contact	max. 4 A
Connection cross section	0.25...0.5 mm ² (conductor diameter min. 0.1 mm)
Sealing range (cable diameter)	4...5.1 mm
Wire isolation	PVC, PP, TPE
Outer wire diameter	1.2...1.6 mm
Locking of parts	Screw thread M12 × 1 mm (recommended torque 0.6 Nm) self-

The information in this brochure has been compiled with the utmost care.

Liability for the correctness completeness and topicality of the information is restricted to gross negligence. Version: 05/15

Murrelektronik GmbH | Falkenstraße 3, 71570 Oppenweiler | Fon +49 (71 91) 47-0, Fax +49 (71 91) 47-491000 | shop@murrelektronik.de | shop.murrelektronik.de

Locking of ports	securing
Protection	IP67 inserted and tightened (EN 60529)

General data

Temperature range	-25...+85 °C
Dimensions H × W × D	37×40×15 mm

Commercial data

country of origin	DE
customs tariff number	85369010
minimum order quantity	1