



LENGTH-ADJUSTABLE TWIST LEVER FOR POSITION SWITCH 3SE51/52 METAL LEVER 100MM LONG, POSITIVE FIT (HOLE PITCH) PLASTIC ROLLER 19MM

Figure similar

Product designation	actuator for part-turn actuator	
General technical data:		
Product function		
• positive opening		Yes
Shock resistance		30g / 11 ms
Vibration resistance		0.35 mm / 5g
Mechanical service life (switching cycles)		
• typical		15 000 000
Equipment marking		
• acc. to DIN EN 61346-2		T
• acc. to DIN EN 81346-2		T
Active principle		mechanical
Explosion protection category for dust		none
Explosion protection category for gas		none
Enclosure:		
Coating of the enclosure		Other types
Drive Head:		
Design of the operating mechanism		metal lever, adjustable length with closing shape, plastic roller 19 mm
Shape of the switch head		roller
Outer diameter of the switch head	mm	19
Communication/ Protocol:		
Design of the interface		without
Ambient conditions:		

Ambient temperature			
• during operation	°C	-40 ... +85	
• during storage	°C	-40 ... +90	

Installation/ mounting/ dimensions:

mounting position	any
Mounting type	screw fixing

Certificates/ approvals:

General Product Approval	Declaration of Conformity	Test Certificates	other
 CSA	 UL	 EAC	 EG-Konf.
		Special Test Certificate	Confirmation

Further information

Information- and Downloadcenter (Catalogs, Brochures,...)

<http://www.siemens.com/industrial-controls/catalogs>

Industry Mall (Online ordering system)

<http://www.siemens.com/industrymall>

Cax online generator

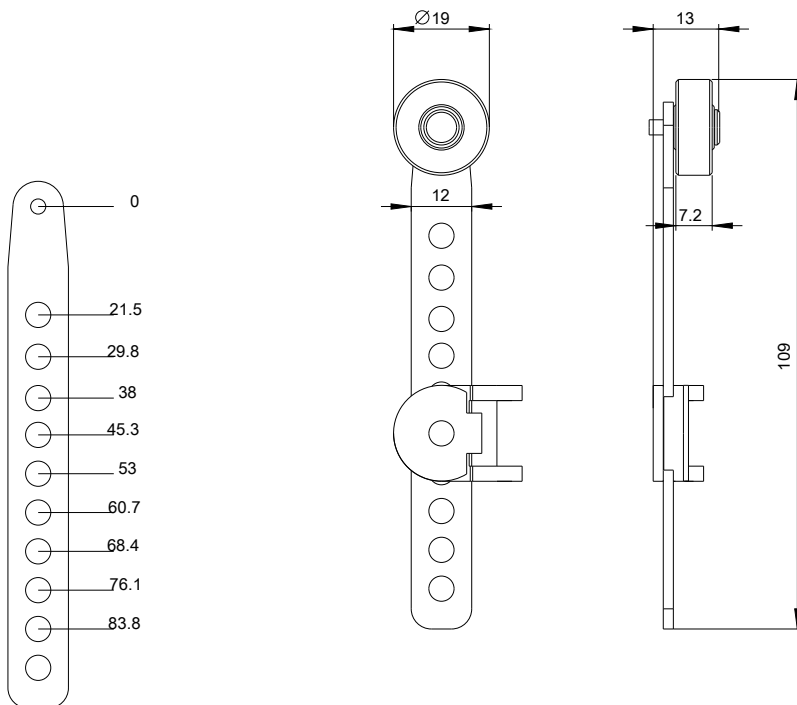
<http://support.automation.siemens.com/WW/CAXorder/default.aspx?lang=en&mlfb=3SE50000AA601AJ0>

Service&Support (Manuals, Certificates, Characteristics, FAQs,...)

<http://support.automation.siemens.com/WW/view/en/3SE50000AA601AJ0/all>

Image database (product images, 2D dimension drawings, 3D models, device circuit diagrams, EPLAN macros, ...)

http://www.automation.siemens.com/bilddb/cax_de.aspx?mlfb=3SE50000AA601AJ0&lang=en



last modified:

16.03.2015