



Datenblatt - Fiche technique - Data sheet

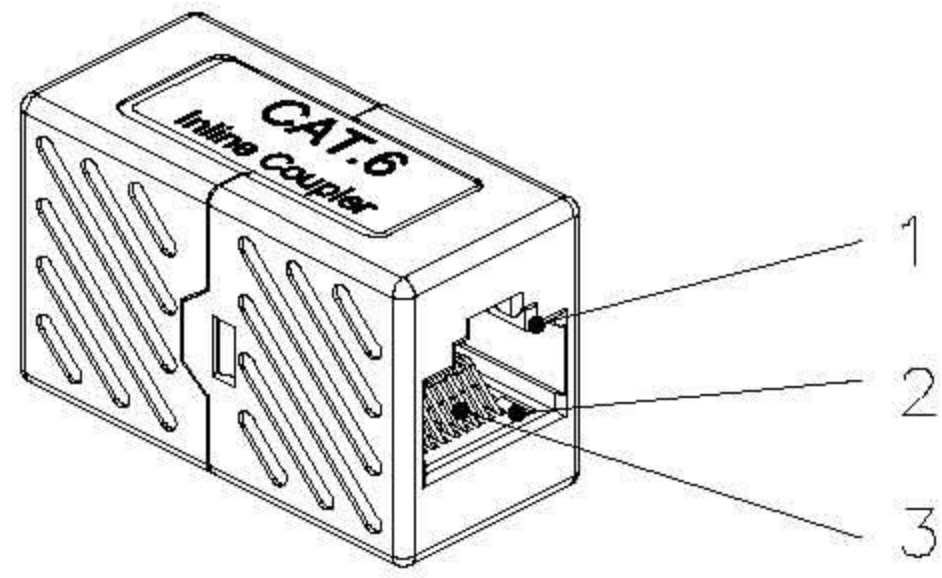
21.17.3043



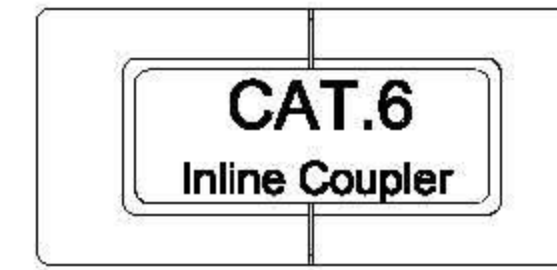
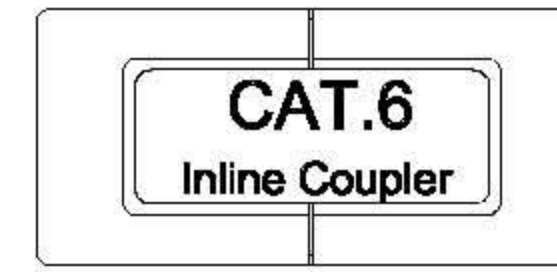
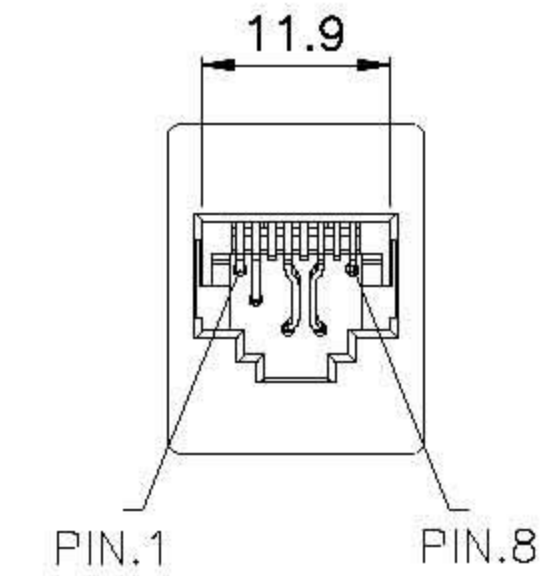
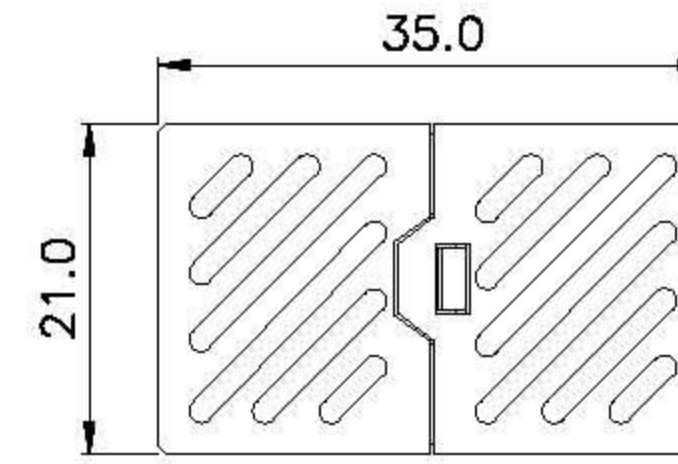
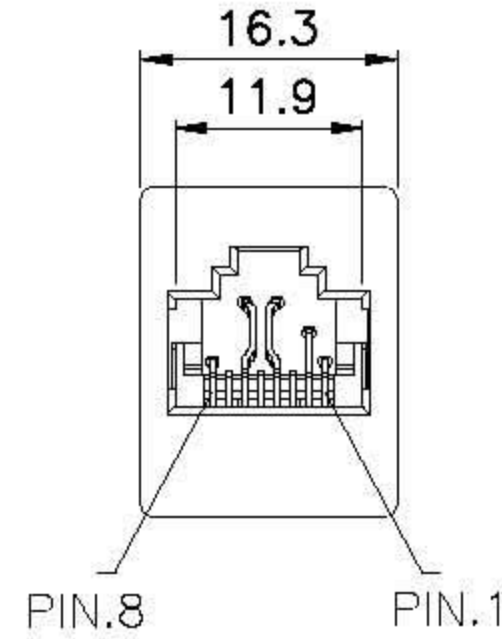
ROLINE RJ-45 Kupplung ungeschirmt, Kat. 6

ROLINE Coupleur RJ-45 non blindé, Cat. 6

ROLINE RJ-45 Modular Coupler, Cat.6, unshielded, black



SCALE 1/1



Specification :

Material :

1. Plastic Housing : ABS + PC, UL 94V-0.
2. Jack Bracket Set : Polycarbonate, UL 94-HB, Transparent color.
3. RJ45 Jack Contact material & finished :
 - 3-1. Phosphor Bronze with 50-60 micro-inch Nickel plated.
 - 3-2. Contact area : Min. 3 mm 50 micro-inch Gold plated.

Performance :

- a. Insertion Force : 900 gms for 8 contacts.
- b. Retention Strength : 7.7 kgs between Jack and Plug.
- c. Operation Temperature : -40°C to 80°C.
- d. Durability :
 - Jack : 750 cycles Plug-Jack mating and unmating test, insertion cycles at 20 cycles/minute max. Contact resistance test per 100 cycles.
- e. The Cat.6 performance is in compliance with the ANSI/TIA/EIA 568 B.2-1 standard.

GENERAL TOLERANCE OF DIMENSIONS X.XXX ±0.005 X.XX ±0.05 X.X ±0.1	DRAWING	17.MAR.2009	Connie	rotronic	
	CHECK	17.MAR.2009	KLi		
	APPROVAL	17.MAR.2009	Yty		
		DATE	NAME	ITEM NO.: 21.17.3043	
	SCALE	1/1 (A4)	UNIT	mm	DES.: CAT.6 Inline Coupler, Unshield
		DRAWING NO.	JE315A-C6/XX(SA1)		
		DRAWING CLASSIFICATION		SHEET	1 OF 1

