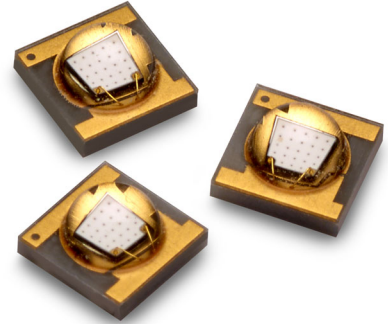


AUV4-PxD0-0xx0H

1W 3535 Surface Mount UV LED



Description

The Broadcom[®] 3535 surface mount UV LEDs are energy-efficient LEDs that can be driven at high driving current and able to dissipate heat efficiently resulting in a better performance and reliability. Its low-profile package design addresses a wide variety of applications where superior robustness and high efficiency are required. In addition to being compatible to the reflow soldering process, the silicone encapsulation ensures product superiority and longevity.

To facilitate easy pick-and-place assembly, the LEDs are packed in tape and reel. Every reel is shipped in single flux and color bin, to provide close uniformity.

Features

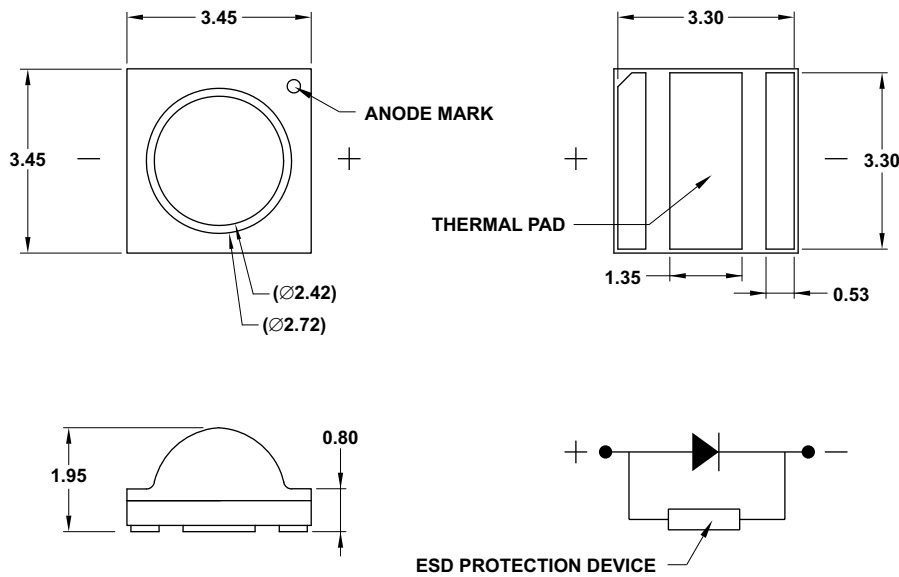
- High-reliability package with enhanced silicone resin encapsulation
- Available in 380-nm to 430-nm wavelength range
- Wide viewing angle at 130°
- Compatible with the reflow soldering process
- JEDEC MSL 3

Applications

- Industrial curing
- Photocatalyst purification

CAUTION! This LED is ESD sensitive. Observe appropriate precautions during handling and processing. Refer to Application Note AN-1142 for additional details.

Figure 1: Package Drawing



NOTE:

1. All dimensions in millimeters (mm).
2. Tolerance is ± 0.20 mm unless otherwise specified.
3. Thermal pad is electrically isolated.
4. Encapsulation = silicone.
5. Terminal finish = gold plating.
6. Dimensions in parentheses are for reference only.

Device Selection Guide ($T_J = 25^\circ\text{C}$, $I_F = 350$ mA)

Part Number	Peak Wavelength, λ_p (nm)			Radiant Flux, Φ_e (mW) ^{a, b}			Dice Technology
	Min.	Typ.	Max.	Min.	Typ.	Max.	
AUV4-PSD0-0MP0H	380	385	390	415	455	675	InGaN
AUV4-PTD0-0MP0H	390	395	400	415	455	675	InGaN
AUV4-PUD0-0MP0H	400	405	410	415	455	675	InGaN
AUV4-PVD0-0MP0H	410	415	420	415	455	675	InGaN
AUV4-PWD0-0MP0H	420	425	430	415	455	675	InGaN

a. Radiant flux, Φ_e , is the total output measured with an integrating sphere at a single current pulse condition.
 b. Tolerance is $\pm 10\%$.

Absolute Maximum Ratings

Parameters	AUV4-PxD0-0xx0H	Units
DC Forward Current ^a	500	mA
Power Dissipation	2000	mW
Reverse Voltage	Not designed for reverse bias operation	
LED Junction Temperature	90	°C
Operating Temperature Range	-40 to +85	°C
Storage Temperature Range	-40 to +100	°C

a. Derate linearly as shown in Figure 9 and Figure 10.

Optical and Electrical Characteristics ($T_J = 25^\circ\text{C}$, $I_F = 350\text{ mA}$)

Part Number	Viewing Angle, $2\theta_{1/2}$ ^a	Spectral Half-Width, $\Delta\lambda_{1/2}$ (nm)	Forward Voltage, V_F (V) ^b			Thermal Resistance, $R_{\theta J-S}$ ($^\circ\text{C}/\text{W}$) ^c
	Typ.	Typ.	Min.	Typ.	Max.	Typ.
AUV4-PSD0-0MP0H	130	13	3.0	3.6	4.0	8.0
AUV4-PTD0-0MP0H	130	15	3.0	3.6	4.0	8.0
AUV4-PUD0-0MP0H	130	15	3.0	3.6	4.0	8.0
AUV4-PVD0-0MP0H	130	15	3.0	3.6	4.0	8.0
AUV4-PWD0-0MP0H	130	15	3.0	3.6	4.0	8.0

a. $\theta_{1/2}$ is the off-axis angle where the radiant intensity is half of the peak intensity.

b. Forward voltage, V_F , tolerance is $\pm 0.1\text{V}$.

c. Thermal resistance from LED junction to solder point.

Part Numbering System

A U V 4 - P x₁ x₂ 0 - 0 x₃ x₄ x₅ x₆

Code	Description	Option	
x ₁	Nominal Peak Wavelength	S	385 nm
		T	395 nm
		U	405 nm
		V	415 nm
		W	425 nm
x ₂	Viewing Angle	D	130°
x ₃	Minimum Radiant Flux Bin	Refer to Radiant Flux Bin Limits (CAT) table	
x ₄	Maximum Radiant Flux Bin		
x ₅	Color Bin Option	0	Full Distribution
x ₆	Test Option	H	Test Current = 350 mA

Part Number Example

AUV4-PVD0-0MP0H

- x₁: V – Nominal peak wavelength = 415 nm
- x₂: D – Viewing angle = 130°
- x₃: M – Minimum radiant flux bin M
- x₄: P – Maximum radiant flux bin P
- x₅: 0 – Full distribution color bin
- x₆: H – Test current = 350 mA

Bin Information

Radiant Flux Bin Limits (CAT)

Bin ID	Radiant Flux, Φ_e (mW)	
	Min.	Max.
M	415	485
N	485	575
P	575	675

Tolerance = $\pm 10\%$.

Color Bin Limits (BIN)

Bin ID	Peak Wavelength, λ_p (nm)	
	Min.	Max.
S1	380	385
S2	385	390
T1	390	395
T2	395	400
U1	400	405
U2	405	410
V1	410	415
V2	415	420
W1	420	425
W2	425	430

Tolerance = ± 1.0 nm.

Forward Voltage Bin Limits (VF)

Bin ID	Forward Voltage, V_F (V)	
	Min.	Max.
V08	3.0	3.2
V09	3.2	3.4
V10	3.4	3.6
V11	3.6	3.8
V12	3.8	4.0

Tolerance = $\pm 0.1V$.

Example of bin information on reel and packaging label:

CAT: M – Radiant flux bin M
 BIN: S1 – Color bin S1
 VF:V08 – Forward voltage bin V08

Figure 2: Spectral Power Distribution

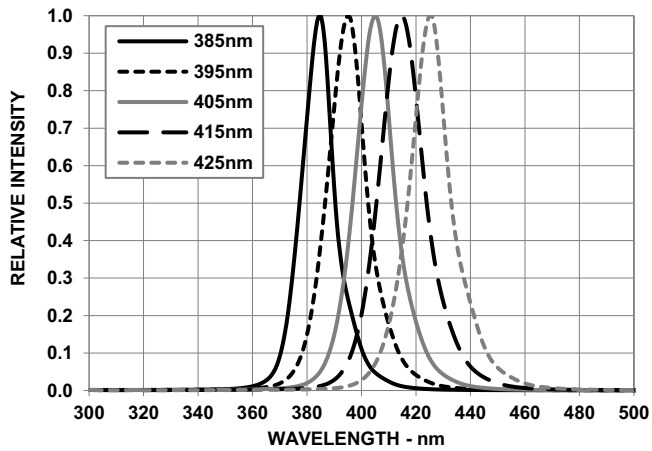


Figure 3: Forward Current vs. Forward Voltage

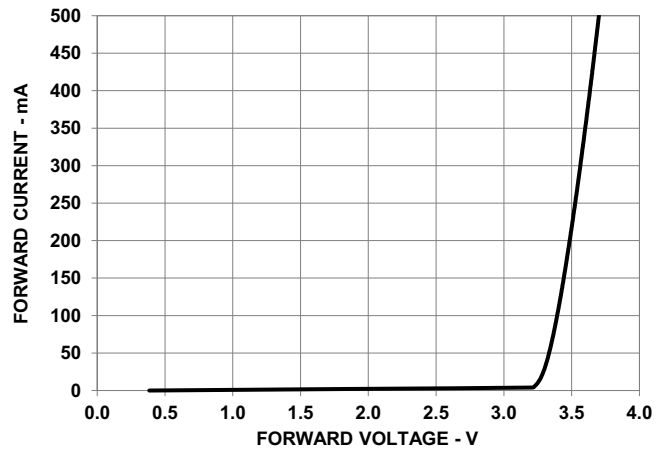


Figure 4: Relative Radiant Flux vs. Mono Pulse Current

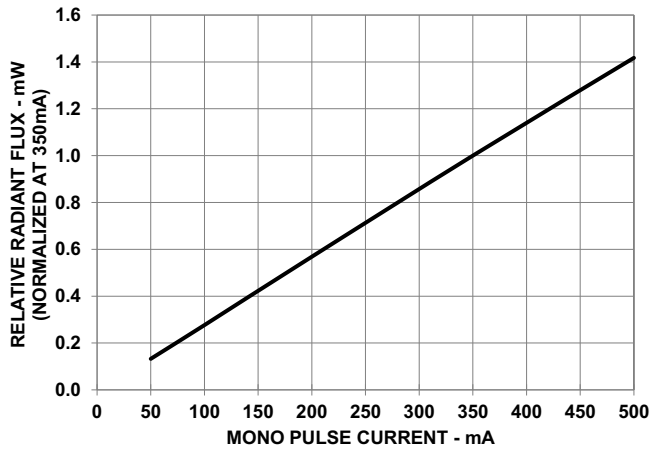


Figure 5: Peak Wavelength Shift vs. Mono Pulse Current

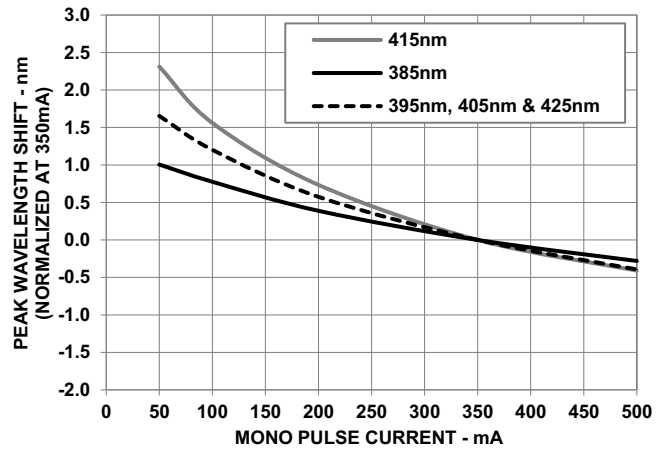


Figure 6: Radiation Pattern

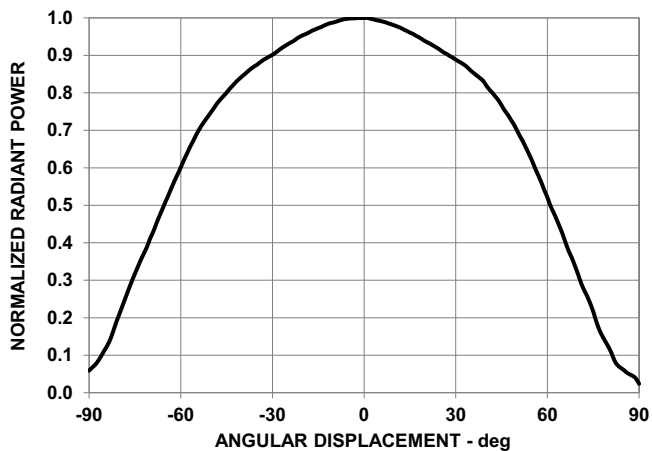


Figure 7: Forward Voltage Shift vs. Junction Temperature

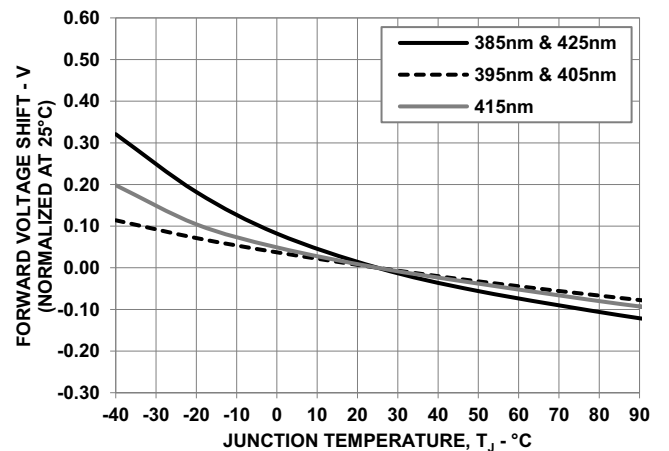


Figure 8: Peak Wavelength Shift vs. Junction Temperature

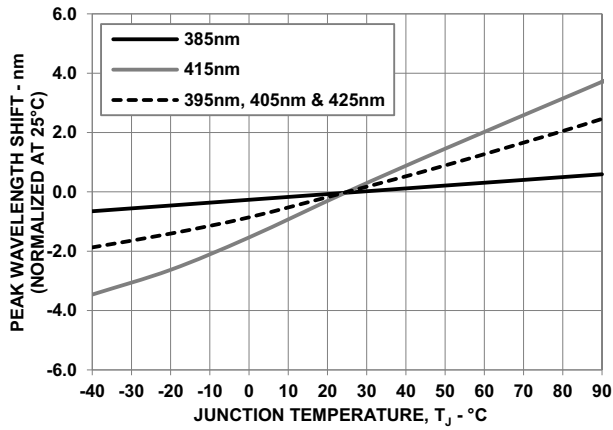


Figure 9: Maximum Forward Current vs. Ambient Temperature. Derated based on $T_{JMAX} = 90^\circ\text{C}$

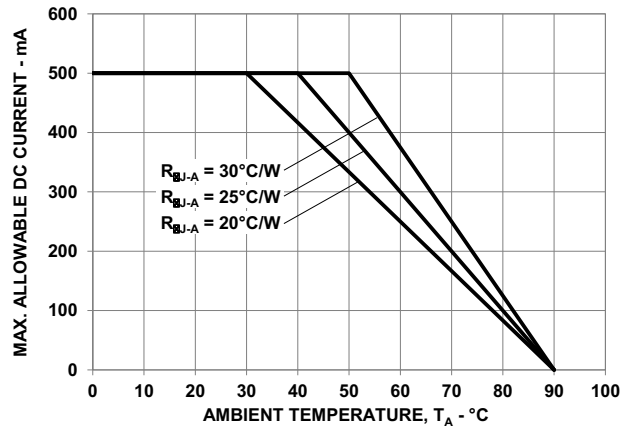


Figure 10: Maximum Forward Current vs. Solder Point Temperature. Derated based on $T_{JMAX} = 90^\circ\text{C}$

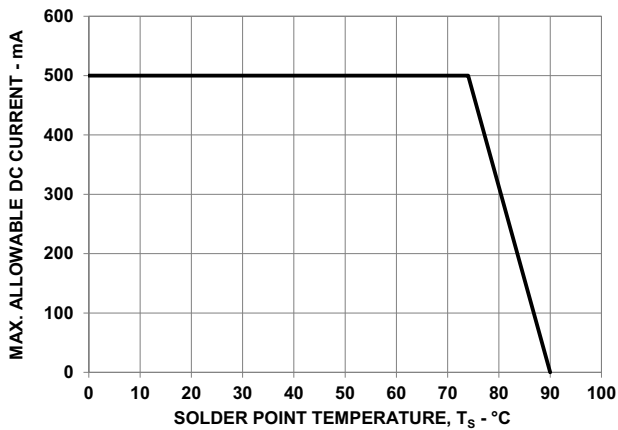
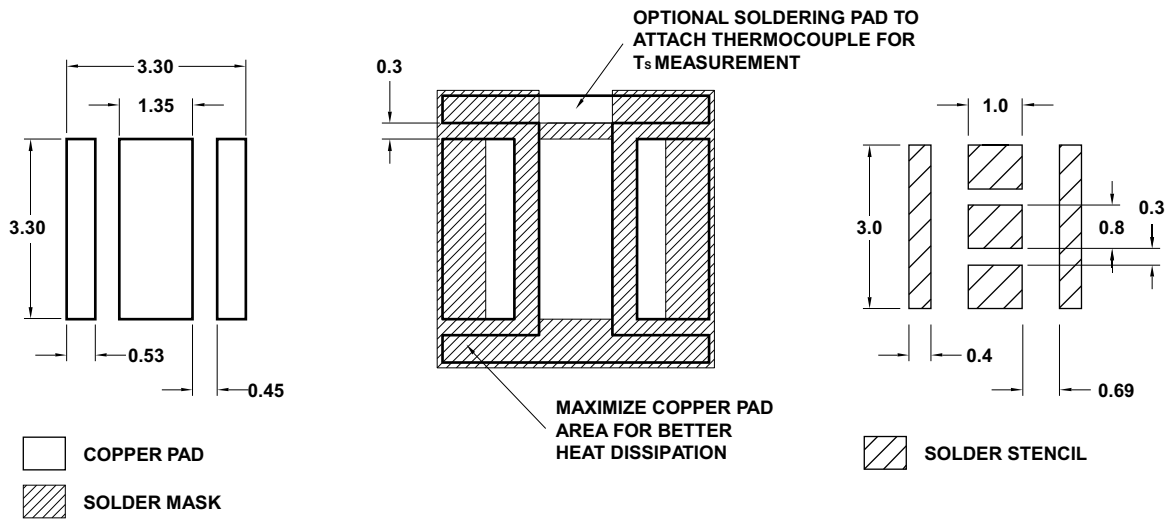
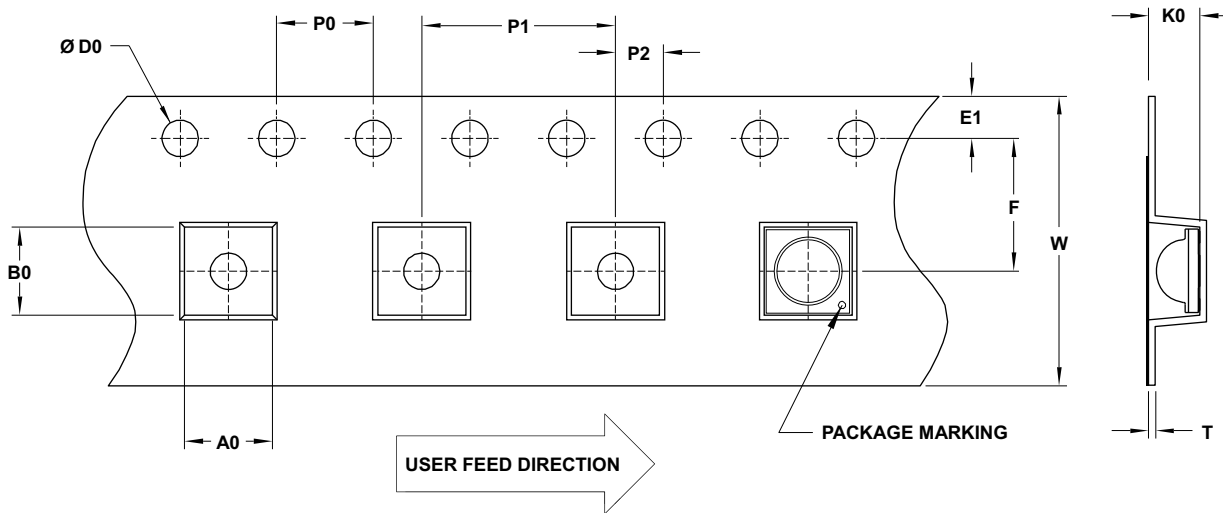


Figure 11: Recommended Soldering Land Pattern



NOTE: All dimensions are in millimeters (mm).

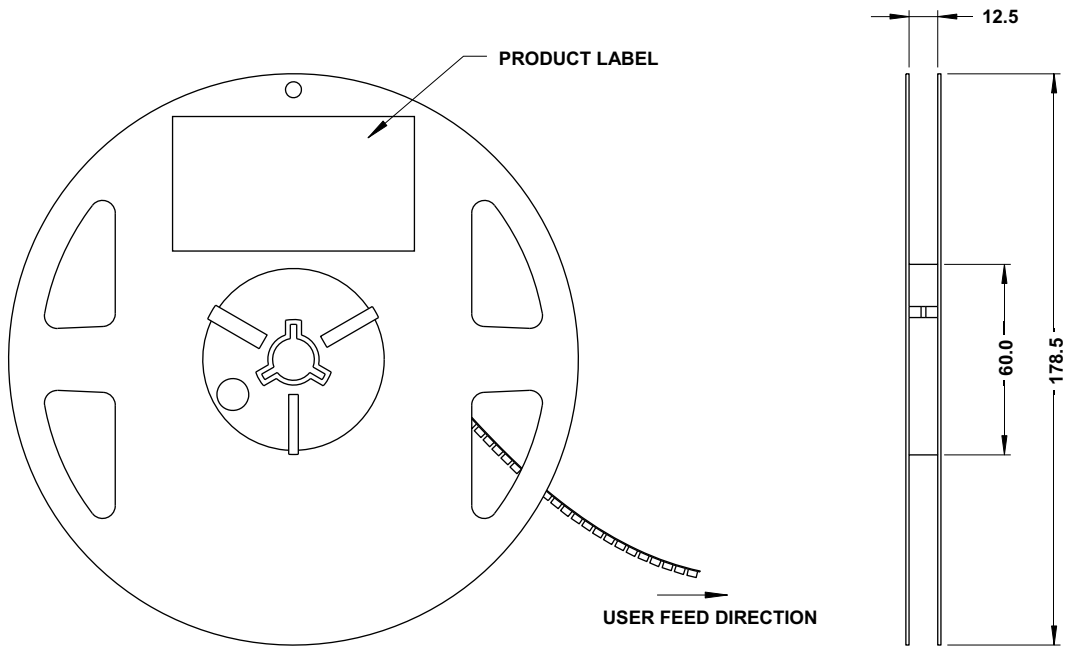
Figure 12: Carrier Tape Dimensions



F	P0	P1	P2	D0	E1	W
5.50 ± 0.05	4.00 ± 0.10	8.00 ± 0.10	2.00 ± 0.05	1.50 + 0.1	1.75 ± 0.10	12.00 ± 0.20
T	B0	K0	A0			
0.25 ± 0.05	3.95 ± 0.10	2.30 ± 0.10	4.20 ± 0.10			

NOTE: All dimensions are in millimeters (mm).

Figure 13: Reel Dimensions



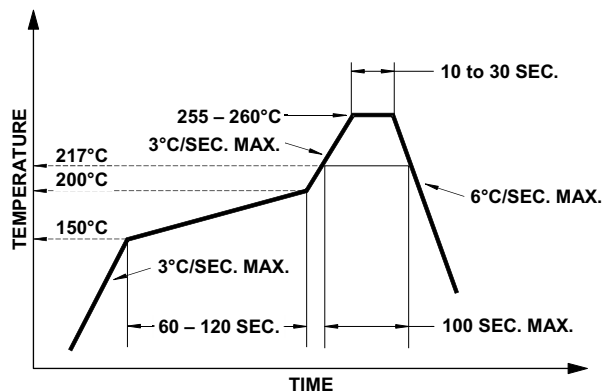
NOTE: All dimensions are in millimeters (mm).

Precautionary Notes

Soldering

- Do not perform reflow soldering more than twice. Observe necessary precautions of handling moisture-sensitive devices as stated in the following section.
- Do not apply any pressure or force on the LED during reflow and after reflow when the LED is still hot.
- Use reflow soldering to solder the LED. Use hand soldering only for rework if unavoidable, but it must be strictly controlled to following conditions:
 - Soldering iron tip temperature = 315°C maximum.
 - Soldering duration = 3 seconds maximum.
 - Number of cycles = 1 only
 - Power of soldering iron = 50W maximum.
- Do not touch the LED package body with the soldering iron except for the soldering terminals, because it may cause damage to the LED.
- Confirm beforehand whether the functionality and performance of the LED is affected by soldering with hand soldering.

Figure 14: Recommended Lead-Free Reflow Soldering Profile



Handling Precautions

The encapsulation material of the LED is made of silicone for better product reliability. Compared to epoxy encapsulant, which is hard and brittle, silicone is softer and flexible. Observe special handling precautions during assembly of silicone encapsulated LED products. Failure to comply might lead to damage and premature failure of the LED. Refer to Broadcom Application Note AN5288, *Silicone Encapsulation for LED: Advantages and Handling Precautions*, for additional information.

- Do not poke sharp objects into the silicone encapsulant. Sharp objects, such as tweezers or syringes, might apply excessive force or even pierce through the silicone and induce failures to the LED die or wire bond.
- Do not touch the silicone encapsulant. Uncontrolled force acting on the silicone encapsulant might result in excessive stress on the wire bond. Hold the LED only by the body.
- Do not stack assembled PCBs together. Use an appropriate rack to hold the PCBs.
- Surface of silicone material attracts dust and dirt easier than epoxy due to its surface tackiness. To remove foreign particles on the surface of silicone, use a cotton bud with isopropyl alcohol (IPA). During cleaning, rub the surface gently without putting too much pressure on the silicone. Ultrasonic cleaning is not recommended.
- For automated pick and place, Broadcom has tested a nozzle size with OD 3.85 mm and ID 3.00 mm to work with this LED. However, due to the possibility of variations in other parameters, such as pick and place, machine maker/model, and other settings of the machine, verify that the selected nozzle will not cause damage to the LED.

Handling of Moisture-Sensitive Devices

This product has a Moisture Sensitive Level 3 rating per JEDEC J-STD-020. Refer to Broadcom Application Note AN5305, *Handling of Moisture Sensitive Surface Mount Devices*, for additional details and a review of proper handling procedures.

Before use:

- An unopened moisture barrier bag (MBB) can be stored at <40°C/90% RH for 12 months. If the actual shelf life has exceeded 12 months and the humidity indicator card (HIC) indicates that baking is not required, it is safe to reflow the LEDs per the original MSL rating.
- Do not open the MBB prior to assembly (for example, for IQC). If unavoidable, the MBB must be properly resealed with fresh desiccant and HIC. The exposed duration must be taken in as floor life.

Control after opening the MBB:

- Read the HIC immediately upon opening of MBB.
- Keep the LEDs at <30°/60%RH at all times, and complete all high temperature-related processes, including soldering, curing or rework within 168 hours.

Control for unfinished reel:

Store unused LEDs in a sealed MBB with desiccant or a desiccator at <5% RH.

Control of assembled boards:

If the PCB soldered with the LEDs is to be subjected to other high-temperature processes, store the PCB in a sealed MBB with desiccant or desiccator at <5% RH to ensure that all LEDs have not exceeded their floor life of 168 hours.

Baking is required if the following conditions exist:

- The HIC indicator indicates a change in color for 10% and 5%, as stated on the HIC.
- The LEDs are exposed to conditions of >30°C/60% RH at any time.
- The LED's floor life exceeded 168 hours.

The recommended baking condition is: 60°C ± 5°C for 20 hours.

Baking can only be done once.

Storage:

Keep unused LEDs in a sealed MBB with desiccant or in a desiccator at <5% RH as prolonged exposure to ambient temperature might affect the solderability performance.

Application Precautions

- The drive current of the LED must not exceed the maximum allowable limit across temperature as stated in the data sheet. Constant current driving is recommended to ensure consistent performance.
- Circuit design must cater to the whole range of forward voltage (V_F) of the LEDs to ensure the intended drive current can always be achieved.
- The LED exhibits slightly different characteristics at different drive currents, which may result in a larger variation of performance (such as, intensity, wavelength, and forward voltage). Set the application current as close as possible to the test current to minimize these variations.
- Do not use the LED in the vicinity of material with sulfur content or in environments of high gaseous sulfur compounds and corrosive elements. Examples of material that might contain sulfur are rubber gaskets, room-temperature vulcanizing (RTV) silicone rubber, rubber gloves, and so on. Prolonged exposure to such environments may affect the optical characteristics and product life.

- Avoid rapid changes in ambient temperature, especially in high-humidity environments, because they cause condensation on the LED.
- If the LED is intended to be used in a harsh or an outdoor environment, protect the LED against damages caused by rain water, water, dust, oil, corrosive gases, external mechanical stresses, and so on.

Thermal Management

The optical, electrical, and reliability characteristics of the LED are affected by temperature. Keep the junction temperature (T_J) of the LED below the allowable limit at all times. T_J can be calculated as follows:

$$T_J = T_A + R_{\theta J-A} \times I_F \times V_{Fmax}$$

where:

T_A = Ambient temperature (°C)

$R_{\theta J-A}$ = Thermal resistance from LED junction to ambient (°C/W)

I_F = Forward current (A)

V_{Fmax} = Maximum forward voltage (V)

The complication of using this formula lies in T_A and $R_{\theta J-A}$. Actual T_A is sometimes subjective and hard to determine. $R_{\theta J-A}$ varies from system to system depending on design and is usually not known.

Another way of calculating T_J is by using the solder point temperature, T_S as follows:

$$T_J = T_S + R_{\theta J-S} \times I_F \times V_{Fmax}$$

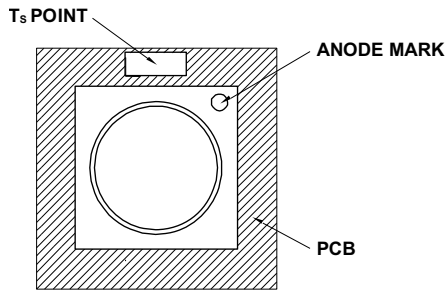
where:

T_S = LED solder point temperature as shown in the following figure (°C)

$R_{\theta J-S}$ = Thermal resistance from junction to solder point (°C/W)

I_F = Forward current (A)

V_{Fmax} = Maximum forward voltage (V)

Figure 15: Solder Point Temperature on PCB

T_S can be easily measured by mounting a thermocouple on the soldering joint as shown in preceding figure, while $R_{\theta J-S}$ is provided in the data sheet. Verify the T_S of the LED in the final product to ensure that the LEDs are operating within all maximum ratings stated in the data sheet.

Eye Safety Precautions

These devices are UV LEDs that may pose optical hazards when in operation. **Do not** look directly into an emitting UV LED as it might be harmful to the human eyes. For safety precautions, use appropriate shielding or personal protective equipment (for example, glasses, gloves, and face shield). Appropriate warning signs and labels should be used to indicate the presence of potential UV radiation hazard.

Disclaimer

Broadcom's products and software are not specifically designed, manufactured, or authorized for sale as parts, components, or assemblies for the planning, construction, maintenance, or direct operation of a nuclear facility or for use in medical devices or applications. The customer is solely responsible, and waives all rights to make claims against Broadcom or its suppliers, for all loss, damage, expense, or liability in connection with such use.

Broadcom, the pulse logo, Connecting everything, Avago Technologies, Avago, and the A logo are among the trademarks of Broadcom and/or its affiliates in the United States, certain other countries, and/or the EU.

Copyright © 2020 Broadcom. All Rights Reserved.

The term "Broadcom" refers to Broadcom Inc. and/or its subsidiaries. For more information, please visit www.broadcom.com.

Broadcom reserves the right to make changes without further notice to any products or data herein to improve reliability, function, or design. Information furnished by Broadcom is believed to be accurate and reliable. However, Broadcom does not assume any liability arising out of the application or use of this information, nor the application or use of any product or circuit described herein, neither does it convey any license under its patent rights nor the rights of others.

