



For use with TO-220 packages

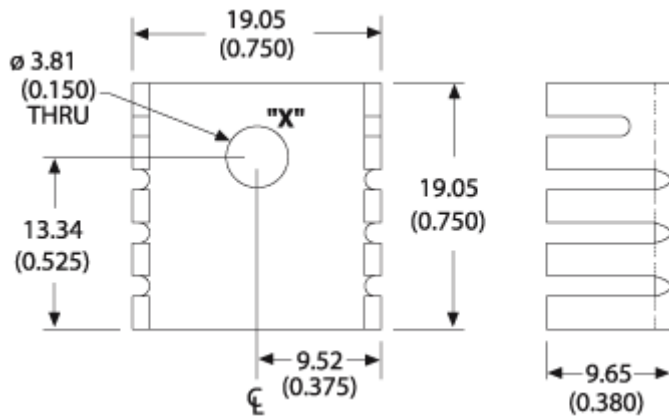
Part Number - 507302B00000G

RoHS Compliant

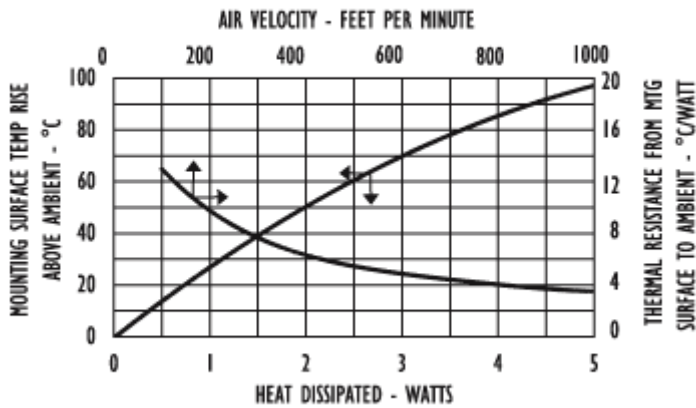
Product Change Notice



Mechanical Outline Drawing



Thermal Curves



Thermal Resistance	24.00
---------------------------	-------

Thermal resistance value is based on a 75°C rise in natural convection

Product Information

Part #	Description	Finish	Board Mounting
507302B00000G	Economy narrow base low profile channel style heat sink	Black Anodize	N/A

Not Exactly what you need?

We offer several options for those applications which require a more unique solution. For slight modifications of this part or other attachment options, finishes, and interface materials, contact your [local representative](#). Challenge us with your thermal requirements - we can design custom solutions.

**For technical help with our Standard Products,
please call (603) 224-9988, or contact your Aavid Sales Rep
Email: info@aavid.com**

Visit us at www.aavidthermalloy.com • ©2007 Aavid Thermalloy, LLC