

Nuts for T-Slots · DIN 508 with antislipping device

23010.0811



Product Description

These nuts for T-slots (slot nuts) are manufactured according to DIN 508. The spring element avoids vertical and horizontal slipping of the nut.

Material

Ball

- Ball-bearing steel, hardened

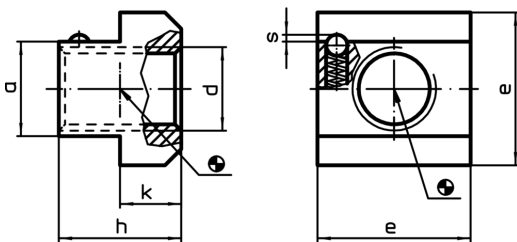
T-nut

- Heat-treated steel, tempered, quality 10, blackened

Spring

- stainless steel

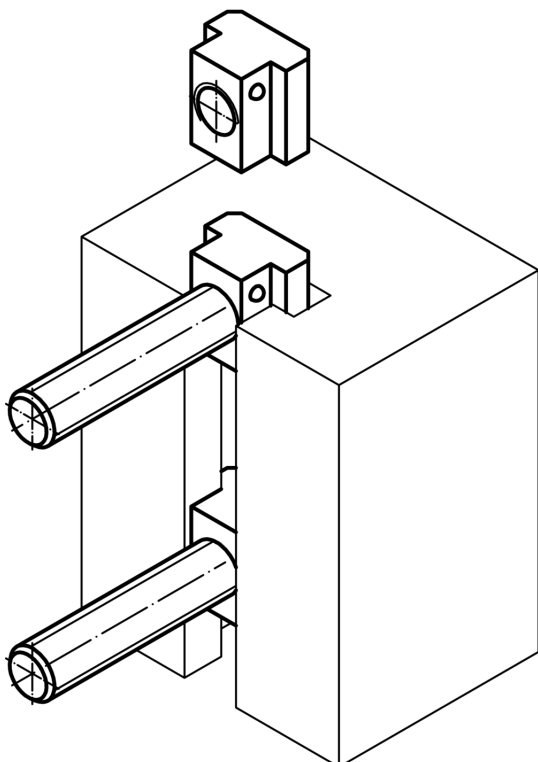
Drawing



Order information

T-slot size	Dimensions						Spring load		Art. No.	
	d	a	e	h	k	s	F ₁ ~	F ₂ ~		
[mm]	[mm]						[N]		[g]	
10	M8	9.6	15	12	6	0.65	3.25	4.75	12	23010.0811

Application example



Compliance

RoHS compliant

Compliant according to Directive 2011/65/EU and Directive 2015/863

Does not contain SVHC substances

No SVHC substances with more than 0.1% w/w contained - SVHC list [REACH] as of 10.06.2022

Does not contain Proposition 65 substances

No Proposition 65 substances included
<https://www.P65Warnings.ca.gov/>

Free from Conflict Minerals

This product does not contain any substances designated as "conflict minerals" such as tantalum, tin, gold or tungsten from the Democratic Republic of Congo or adjacent countries.