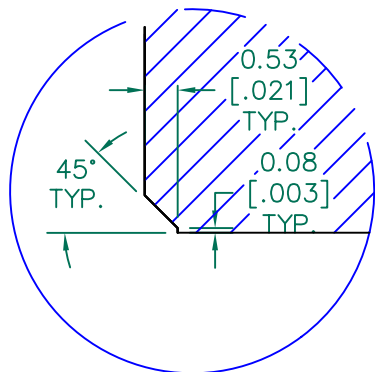


SECTION A-A

SEE DETAIL "A"

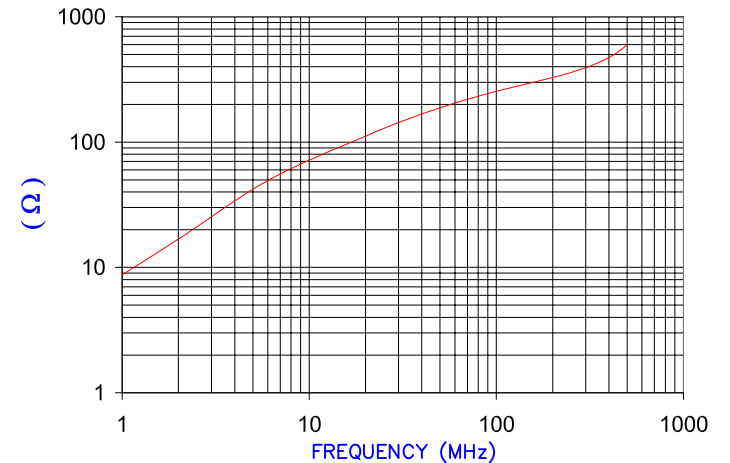


DETAIL "A"  
CHAMFER  
SCALE 6:1

**UNCONTROLLED DOCUMENT**

IMPEDANCE ( Z )			
Frequency	25 MHz	100 MHz	300 MHz
Nominal (REF)	124 Ω	242 Ω	390 Ω
Minimum	- Ω	194 Ω	- Ω

Z vs. FREQUENCY  
(REF. ONLY)

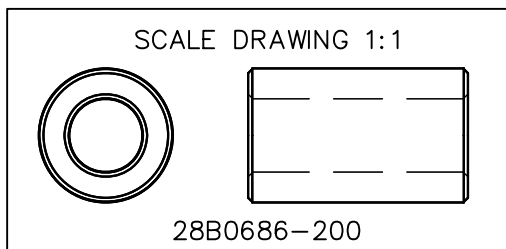


AGILENT E4991A Impedance/Material Analyzer  
HP 16092A-Test Fixture REF 3146

FERRITE CORE DIMENSIONS (SPEC): mm [in.]

A	17.42 [.686]	±	0.36 [.014]
B	9.53 [.375]	±	0.20 [.008]
C	28.58 [1.125]	±	0.76 [.030]

WEIGHT/1000 23.50 kgs [51.80 Lbs]



DIMENSIONS ARE IN mm [INCHES].				This print is the property of Laird Tech. and is loaned in confidence subject to return upon request and with the understanding that no copies shall be made without the written consent of Laird Tech. All rights to design or invention are reserved.			
L	UPDATE COMPANY LOGO	06/11/10	JUN				
K	UPDATE Z SPEC AND COMPANY LOGO	06/12/07	JRK				
J	UPDATE Z SPEC @100MHz MIN	09/22/06	JRK				
H	UPDATE Z SPEC @100MHz ADD REF #	06/17/04	TMB				
G	CHANGE PRINT FORMAT, Z SPEC FORMAT & P/N TO -200 REMOVE COATING DIMS	05/23/03	TMB				
F	UPDATE PRINT FORMAT FOR ELECTRONIC DBASE ADD DETAIL "A" REV. WEIGHT/K	02/19/01	TMB	PROJECT/PART NUMBER:	REV	PART TYPE:	DRAWN BY:
E	UPDATED Z SPECS	04/17/97	BAC	28B0686-200	L	FERRITE CORE	DJB
REV	DESCRIPTION	DATE	INT	DATE:	SCALE:	MATERIAL:	
				07/03/90	2 : 1	FERRITE	
				CAD #	TOOL #		
				28B0686-200-L	B0686		