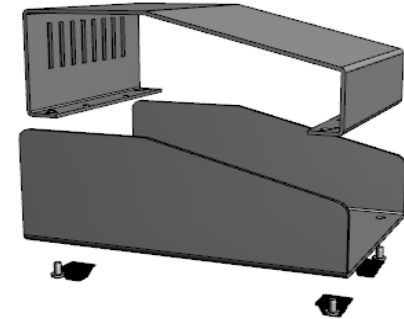
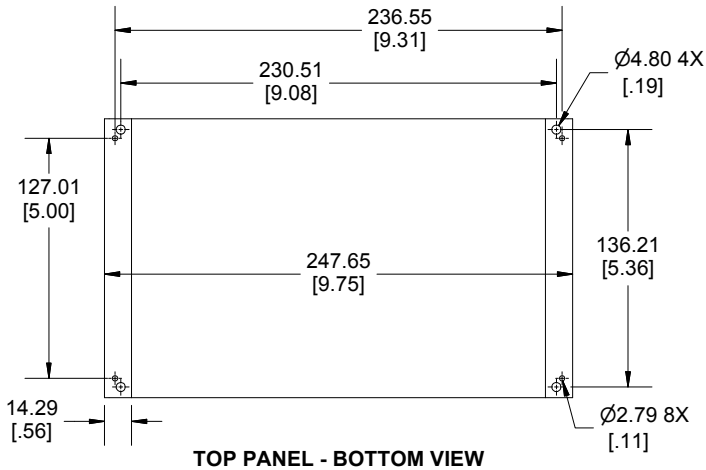


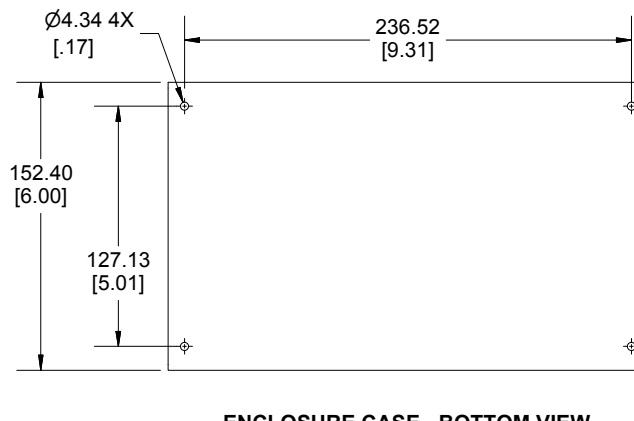
SECTION A-A



Enclosures can be Factory Modified ( Milling, Drilling, Printing etc.)  
 Contact Factory [mjm@hammondmfg.com](mailto:mjm@hammondmfg.com) for quotes  
 Solid models of this enclosure available in STEP or IGES.  
 (Part number and text placement/orientation on our products are subject to change,  
 we do not recommend using them as a locating reference for modification purposes)



TOP PANEL - BOTTOM VIEW



ENCLOSURE CASE - BOTTOM VIEW

**NOTE**

Purchased assembly includes case, cover, 4 cover screws, and 4 rubber feet.  
 Case made from 12 Gauge aluminum (.081"), Top made from 14 Gauge aluminum (.064").

**Recommended screw torque 150-175 cN-m (13.3-15.5 lbf-in)**

**1456**

**1456NEK4 Regular Enclosure**

Beige Top / Blue Case	1456NEK4WHBU
Black Top / Blue Case	1456NEK4BKBU
Black Top / Black Case	1456NEK4BKBK

**ACCESSORIES**

Natural Finish Cover Screws (Pkg 6) [6-32 x 1/4" Self-Tapping Screws]	1421J6
Black Cover Screws (Pkg 6) [6-32 x 1/4" Self-Tapping Screws]	1421J6BK
Rubber Feet [0.5 x 0.5" Self-adhesive] (Pkg 24)	1421T3

Dimensions:  
mm  
[inches]

**HAMMOND  
MANUFACTURING**  
**1456NEK4**  
[www.hammondmfg.com](http://www.hammondmfg.com)