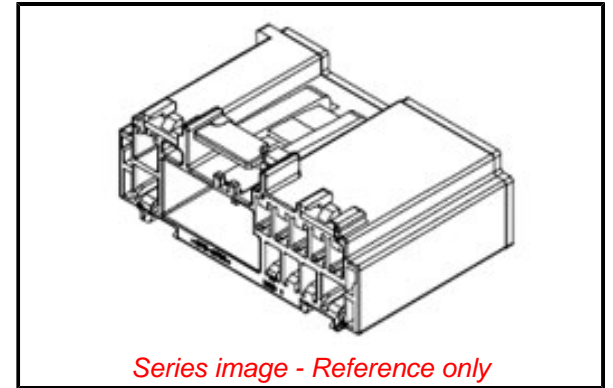


PLEASE CHECK WWW.MOLEX.COM FOR LATEST PART INFORMATION

Part Number: [0307001244](#)
Status: **Active**
Overview: H-DAC 64™ Dual-Row High Density Automotive Connectors
Description: 2.54mm, 3.50mm Pitch, H-DAC 64 Hybrid Female Harness Assembly, 24 Circuits, Polarization Option A without Bridge, Gray

Documents:

3D Model	Application Specification AS-30700-000-001 (PDF)
Drawing (PDF)	Packaging Specification PK-30907-417-001 (PDF)
3D Model (PDF)	RoHS Certificate of Compliance (PDF)
Product Specification PS-30968-024-001 (PDF)	



General

Product Family	Crimp Housings
Series	30700
Application	Automotive, Power, Wire-to-Board, Wire-to-Wire
Comments	Polarization Option A
Overview	H-DAC 64™ Dual-Row High Density Automotive Connectors
Polarization	A
Product Name	H-DAC 64
UPC	822348688838

Physical

Circuits (maximum)	24
Color - Resin	Gray
Gender	Receptacle
Glow-Wire Capable	No
Lock to Mating Part	Yes
Material - Resin	High Performance Thermoplastic
Net Weight	13.050/g
Number of Rows	2
Packaging Type	Bag
Panel Mount	No
Pitch - Mating Interface	2.54mm, 3.50mm
Polarized to Mating Part	Yes
Stackable	No
Temperature Range - Operating	-40° to +100°C

Electrical

Current - Maximum per Contact	7.0A
-------------------------------	------

Solder Process Data

Lead-freeProcess Capability	N/A
-----------------------------	-----

Material Info

Reference - Drawing Numbers

Application Specification	AS-30700-000-001
Packaging Specification	PK-30907-417-001
Product Specification	PS-30968-024-001

EU ELV

Compliant

EU RoHS

Compliant

REACH SVHC

Not Contained Per -
D(2021)4569-DC (8
July 2021)

Halogen-Free

Status

Low-Halogen

For more information, please visit [Contact US](#)

China ROHS

ELV

RoHS Phthalates

China RoHS

Green Image

Compliant

Not Contained

Search Parts in this Series

[30700 Series](#)

Mates With

H-DAC 64 Header [307004240](#) , [307004244](#) , [307005240](#) , [307005244](#) , Crimp Housing [309681247](#)

Use With

Use [33012](#) MX150 Female Terminal for 1.50mm system.

Contact Molex for terminal information for 0.64mm and 2.80mm systems.