



MASTER CosmoWhite CPO-TW & CPO-TW Xtra

MASTER CosmoWhite CPO-TW Xtra 60W/728 PGZ12

New-generation ceramic metal halide lamps used in Outdoor offering efficient and pleasant white light

Warnings and Safety

- Use only in totally enclosed luminaire, even during testing (IEC61167, IEC 62035, IEC60598)
- The luminaire must be able to contain hot lamp parts if the lamp ruptures
- Use only with electronic control gear
- Control gear must include end-of-life protection (IEC61167, IEC 62035)
- A lamp breaking is extremely unlikely to have any impact on your health. If a lamp breaks, ventilate the room for 30 minutes and remove the parts, preferably with gloves. Put them in a sealed plastic bag and take it to your local waste facilities for recycling. Do not use a vacuum cleaner.

Product data

General information			
Cap-Base	PGZ12 [PGZ12]	LSF 6000 h Rated	99 %
Operating Position	UNIVERSAL [Any or Universal (U)]	LSF 8000 h Rated	99 %
Life to 5% Failures (Nom)	21500 h	LSF 12000 h Rated	99 %
Life To 10% Failures (Nom)	24000 h	LSF 16000 h Rated	99 %
Life to 20% Failures (Nom)	27000 h	LSF 20000 h Rated	97 %
Life to 50% Failures (Nom)	32000 h	LSF 24000 h Rated	90 %
ANSI Code HID	C187/E	LSF 30000 h Rated	63 %
LSF 2000 h Rated	99 %	Flux measurement reference	Sphere
LSF 4000 h Rated	99 %		

MASTER CosmoWhite CPO-TW & CPO-TW Xtra

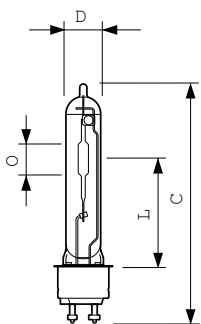
Light technical	
Color Code	728 [CCT of 2800K]
Luminous Flux (Nom)	7200 lm
Luminous Flux (Rated) (Nom)	7200 lm
Color Designation	White (WH)
Chromaticity Coordinate X (Nom)	0.447
Chromaticity Coordinate Y (Nom)	0.4
Correlated Color Temperature (Nom)	2800 K
Luminous Efficacy (rated) (Nom)	120 lm/W
Color Rendering Index (Min)	70
Color Rendering Index (Nom)	73
LLMF 2000 h Rated	92 %
LLMF 4000 h Rated	90 %
LLMF 6000 h Rated	90 %
LLMF 8000 h Rated	90 %
LLMF 12000 h Rated	89 %
LLMF 16000 h Rated	87 %
LLMF 20000 h Rated	86 %
LLMF 24000 h Rated	84 %
LLMF 30000 h Rated	82 %
Ratio Scotopic/Photopic Lumens	1.15

Operating and electrical	
Power (Nom)	60.0 W
Ignition Peak Voltage (Max)	5000 V
Re-Ignition Time (Min) (Max)	900 s
Ignition Time (Max)	30 s
Voltage (Max)	99 V
Voltage (Min)	85 V
Voltage (Nom)	92 V

Controls and dimming	
Dimmable	Yes
Run-Up Time 90% (Max)	3 min

Mechanical and housing	
Bulb Finish	Clear

Dimensional drawing



MASTER CosmoWhite CPO-TW Xtra 60W/728 PGZ12

Bulb Shape	T19 [T 19mm]
------------	---------------

Approval and application	
Energy Efficiency Class	E
Mercury (Hg) Content (Max)	2 mg
Mercury (Hg) Content (Nom)	2.0 mg
Energy Consumption kWh/1000 h	60 kWh
EPREL Registration Number	473348

UV	
Pet (Niosh) (Min)	8 h/500lx
Pet (Niosh) (Nom)	19 h/500lx
Damage Factor D/fc (Nom)	0.17

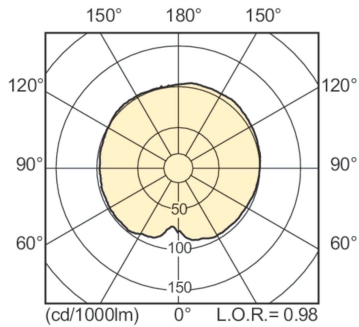
Luminaire design requirements	
Bulb Temperature (Max)	400 °C
Cap-Base Temperature (Max)	300 °C
Cap-Base Temperature (Max)-DUP(do not use)	572 °F

Product data	
Full product code	871150020851415
Order product name	MASTER CosmoWhite CPO-TW Xtra 60W/728 PGZ12
EAN/UPC - Product	8711500208514
Order code	928088505127
Numerator - Quantity Per Pack	1
Local code description	MST COSMOWH CPO-TW XTRA 60W/728 PGZ12
Numerator - Packs per outer box	12
Material Nr. (12NC)	928088505127
Net Weight (Piece)	0.034 kg
ILCOS Code	MT-60/728-H-PGZ12-20/132

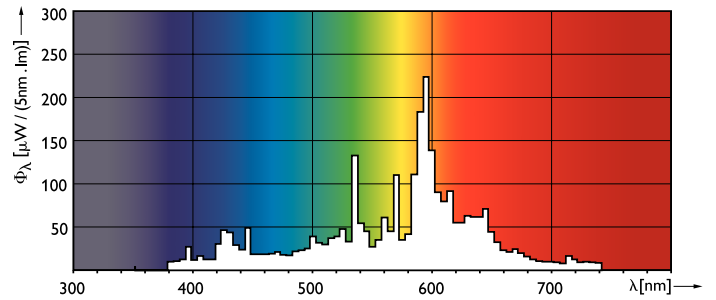
Product	D (max)	D	O	L	C (max)
MASTER CosmoWhite CPO-TW Xtra 60W/728 PGZ12	20 mm	19 mm	14 mm	59 mm	132 mm

MASTER CosmoWhite CPO-TW & CPO-TW Xtra

Photometric data

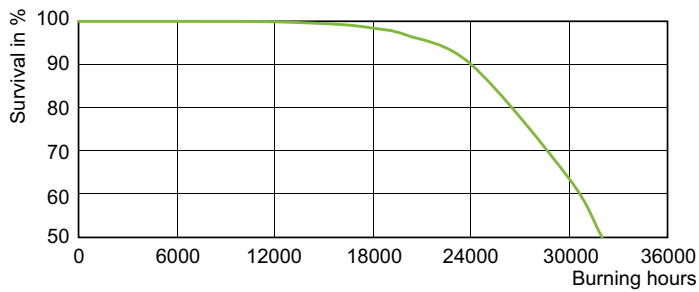


LDLD_CPO-TW_0002-Light distribution diagram

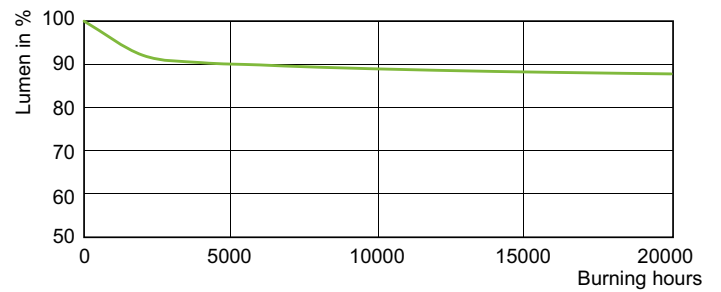


LDPO_CPO-TW_60W_728-Spectral power distribution Colour

Lifetime



LDLE_CPO-TW_0006-Life expectancy diagram



LDLM_CPO-TW_0004-Lumen maintenance diagram

