

2-160986-2 ✓ ACTIVE

AMP-TY

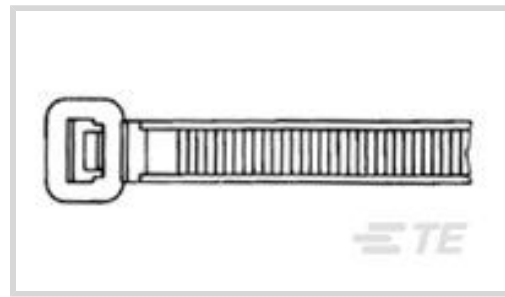
TE Internal #: 2-160986-2

Cable Ties, Standard, Bag/Box, 550Newton Tensile Strength, 123.65 lbf Tensile Strength, Cable Tie Length 750 mm [29.6 in]

[View on TE.com >](#)



Wire & Cable > Wire & Cable Accessories > Cable Ties



Cable Tie Style: **Standard**

Cable Tie Packaging Method: **Bag/Box**

Tensile Strength: **123.65 lbf**

Cable Tie Length: **750 mm [ 29.6 in ]**

## Features

### Product Type Features

Product Type	Cable Tie
Cable Tie Style	Standard
Tensile Strength	123.65 lbf

### Body Features

Cable Tie Color	Black
Cable Tie Material	Polyamide 6.6 GF

### Dimensions

Bundle Range Diameter	200 mm[7.87 in]
Cable Tie Length	750 mm[29.6 in]
Cable Tie Width	7.8 mm[.307 in]
Cable Tie Thickness	2.07 mm[.081 in]

### Packaging Features

Cable Tie Packaging Method	Bag/Box
Cable Tie Packaging Quantity	100

## Product Compliance

[For compliance documentation, visit the product page on TE.com>](#)

EU RoHS Directive 2011/65/EU	Compliant
EU ELV Directive 2000/53/EC	Compliant



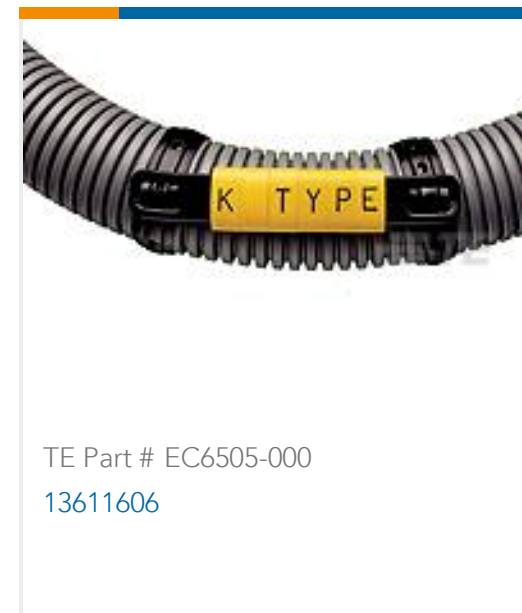
China RoHS 2 Directive MIIT Order No 32, 2016	No Restricted Materials Above Threshold
EU REACH Regulation (EC) No. 1907/2006	Current ECHA Candidate List: JAN 2021 (211) Candidate List Declared Against: JAN 2021 (211) Does not contain REACH SVHC
Halogen Content	Low Halogen - Br, Cl, F, I < 900 ppm per homogenous material. Also BFR/CFR/PVC Free
Solder Process Capability	Not applicable for solder process capability

Product Compliance Disclaimer

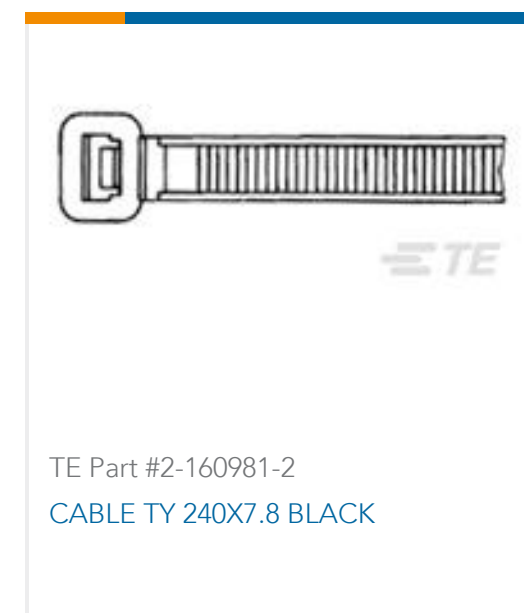
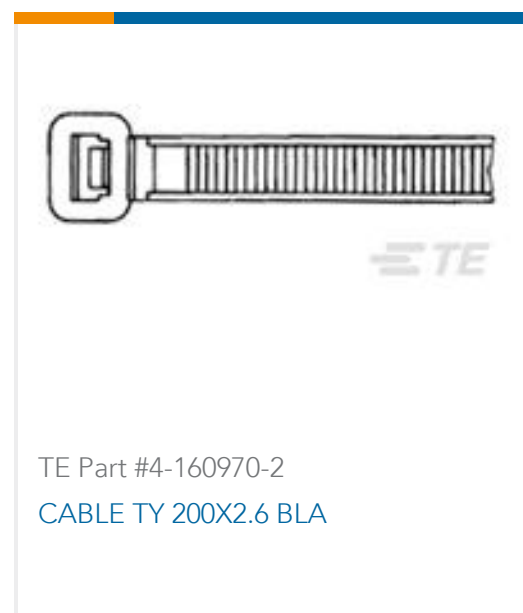
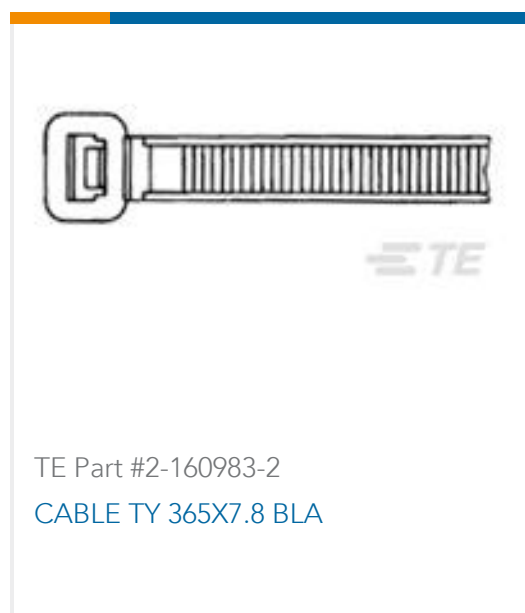
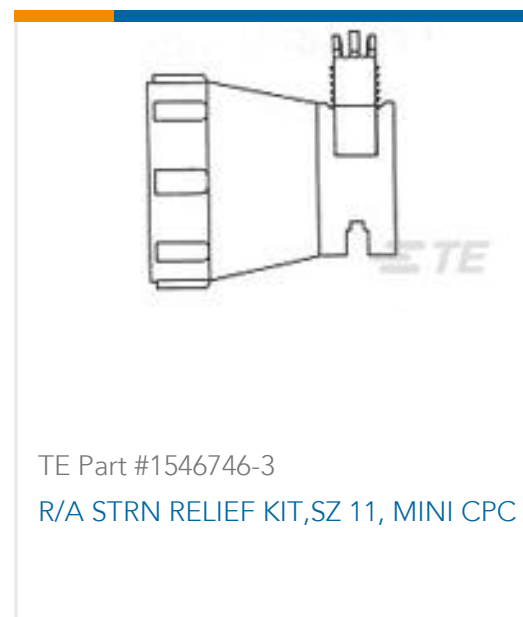
This information is provided based on reasonable inquiry of our suppliers and represents our current actual knowledge based on the information they provided. This information is subject to change. The part numbers that TE has identified as EU RoHS compliant have a maximum concentration of 0.1% by weight in homogenous materials for lead, hexavalent chromium, mercury, PBB, PBDE, DBP, BBP, DEHP, DIBP, and 0.01% for cadmium, or qualify for an exemption to these limits as defined in the Annexes of Directive 2011/65/EU (RoHS2). Finished electrical and electronic equipment products will be CE marked as required by Directive 2011/65/EU. Components may not be CE marked. Additionally, the part numbers that TE has identified as EU ELV compliant have a maximum concentration of 0.1% by weight in homogenous materials for lead, hexavalent chromium, and mercury, and 0.01% for cadmium, or qualify for an exemption to these limits as defined in the Annexes of Directive 2000/53/EC (ELV). Regarding the REACH Regulation, the information TE provides on SVHC in articles for this part number is based on the latest European Chemicals Agency (ECHA) 'Guidance on requirements for substances in articles' posted at this URL: <https://echa.europa.eu/guidance-documents/guidance-on-reach>

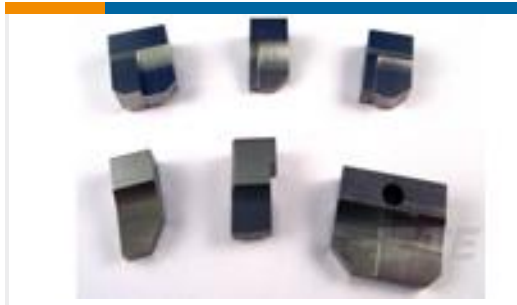
## Compatible Parts

TE Part # CAT-T3437-K1 K-TYPE TIE-ON MARKERS	TE Part # EC6518-000 13611808	TE Part # EC6496-000 13611442	TE Part # EC6513-000 13611707
TE Part # EC6409-000 13611202	TE Part # EC6453-000 13611303	TE Part # EC6406-000 13611101	TE Part # EC6405-000 13611000



### Customers Also Bought





TE Part #1-1333214-1  
ANVIL, E/FEED (.062)



TE Part #2-100733-1  
MOUNTING BASE,NAT.

## Documents

### Product Drawings

[CABLE TY 750X7,8BLA](#)

English

---

### Datasheets & Catalog Pages

[CABLE TIES](#)

English