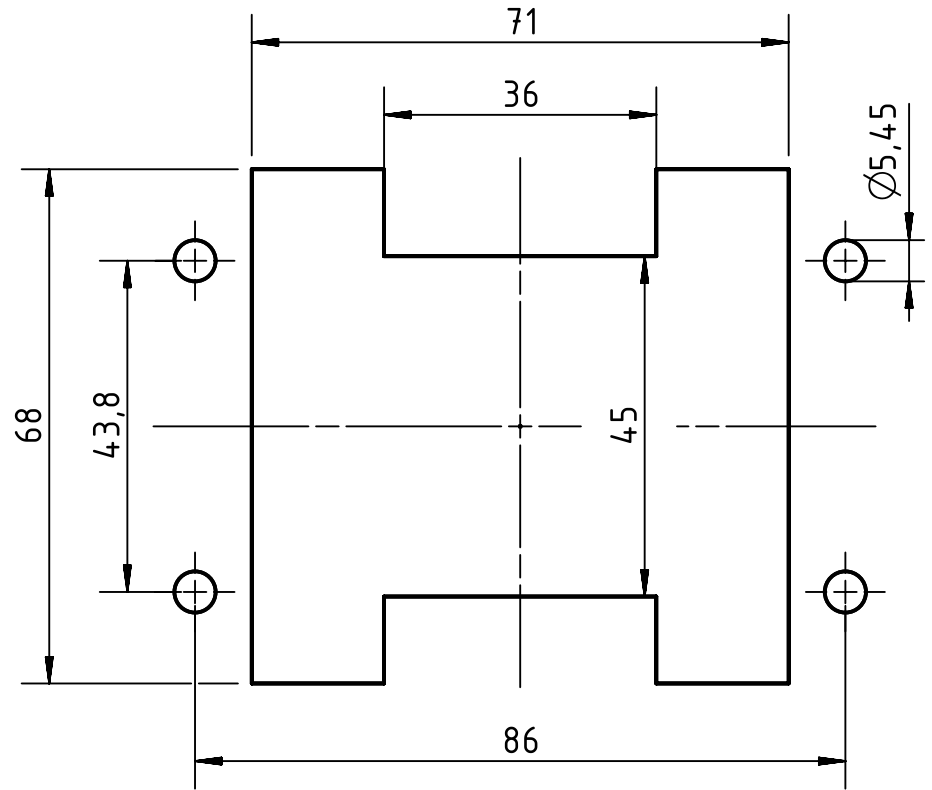



Panel cut out (1:1)



	All Dimensions in mm Original Size DIN A4		Scale 1:2	Free size tol.		Ref.	
	All rights reserved Department EL PD - DE		Created by VOLAR	Inspected by HORSTMANNJ	Standardisation TIEMANNA	Date 2016-08-31	State Final Release
HARTING Electric GmbH & Co. KG D-32339 Espelkamp		Title Sliding frame Han 16B, floating side				Doc-Key / ECM-Nr. 100666690/UGD/001/B 500000108364	
		Type TB	Number 09 14 016 1721			Rev. B	Page 1/1