

# Module PROTO 13.2

SKU:M032



## Description

**PROTO 13.2** is a universal DIY proto module in the m5stack stack module series, with a height of 13.2mm. You can easily build your own custom circuits by using this module. You can design and build the prototype circuit according to your own needs, and interact with the M5 Core on the top layer through M-BUS. There are HY2.0 4P, DC power socket, VH3.96 and other common openings on the board, so it is very simple to use.

## Product Features

- Main Hole Size: 0.039" 1mm (CNC Drilled)
- Hole Pitch: 0.1" - (2.54 mm)
- Entire Hole Quantity: 169 Holes

## Include

- 1x PROTO 13.2 board
- 1x M-bus
- 3x VH-3.96 3P Plug & Plug Base
- 1x HY-2.0 4P Plug Base
- 1x DC 5V Power outlet
- 4x M2\*5mm Hexagon self tapping screw
- 1x M2 Hex Key
- 1x sticker

## Specification

Resources

Parameter

Gross weight

49g

Product Size

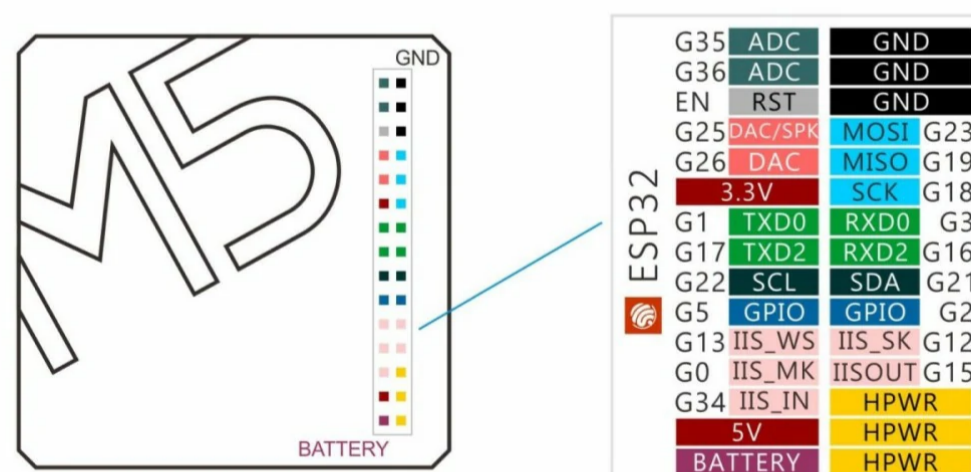
54.2\*54.2\*13.2mm

Package Size

93\*64\*20mm

## MBUS PinMap

LEFT	RIGHT
GND	IO35(ADC1)
GND	IO36(ADC2)
GND	EN
IO23(MOSI)	IO25(DAC0)
IO19(MISO)	IO26(DAC1)
IO18(EXT_SCK)	3V3
IO3(U1_RX)	IO1(U1_TX)
IO16(U2_RX)	IO17(U2_TX)
IO21(I2C_SDA)	IO22(I2C_SCL)
IO2	IO5
IO12(I2S_SCLK)	IO13
IO15(I2S_OUT)	IO0
HPOWR	IO34
HPOWR	5V
HPOWR	BAT



## Video