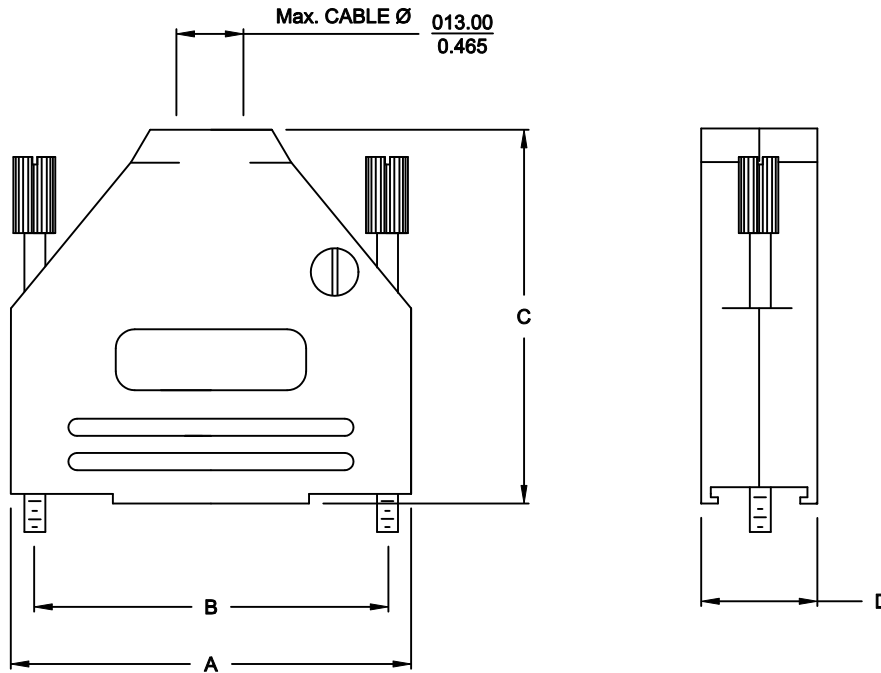


## BACKSHELL KIT INCLUDES:

- (2) BACKSHELL HALVES
- (2) 4-40 THUMBSCREWS
- (2) HOUSING SCREWS
- (1) SET OF COMPRESSION INSERTS - VARIOUS SIZES  
DIAMETERS 4mm (.157"), 5mm (.167"), 7mm (.276"), 9mm (.354")
- (1) COMPRESSION SPRING

DIMENSIONS (mm/in)				
SIZE	A $\pm_{0.10}^{.25}$	B $\pm_{.005}^{.13}$	C $\pm_{0.10}^{.25}$	D $\pm_{0.10}^{.25}$
9	31.20	24.99	39.90	15.00
	1.228	0.984	1.571	0.591
15	39.50	33.32	41.50	15.00
	1.555	1.312	1.634	0.591
25	53.40	47.04	48.60	15.00
	2.102	1.852	1.913	0.591
37	69.70	63.50	53.60	15.00
	2.744	2.500	2.110	0.591



### ORDERING INFORMATION:

SIZE	P/N - KITTED	PRODUCT CODE:
9-WAY	6560-0805-01	MHDTZK-9-K
15-WAY	6560-0805-02	MHDTZK-15-K
25-WAY	6560-0805-03	MHDTZK-25-K
37-WAY	6560-0805-04	MHDTZK-37-K

SIZE	P/N - BULK	PRODUCT CODE:
9-WAY	6561-0805-01	MHDTZK-9
15-WAY	6561-0805-02	MHDTZK-15
25-WAY	6561-0805-03	MHDTZK-25
37-WAY	6561-0805-04	MHDTZK-37

**BACKSHELL MATERIAL:** DIE-CAST ZINC ALLOY  
**PLATING:** NICKEL  
**JACKSCREWS:** STEEL: Zn PLATED  
**M3 HOODSCREWS:** STEEL: Zn PLATED  
**COMPRESSION INSERT:** ABS, UL RECOGNIZED  
**COMPRESSION SPRING:** STEEL, NICKEL PLATED  
**OPERATING TEMP:** -40°C TO +120°C

THESE DRAWINGS AND SPECIFICATIONS ARE THE PROPERTY OF MH CONNECTORS LTD. AND SHALL NOT BE REPRODUCED, COPIED OR USED AS THE BASIS FOR THE MANUFACTURE OR SALE OF APPARATUS WITHOUT WRITTEN PERMISSION.

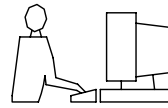
DRAWN		DATE	
P. JENKINS		03-14-12	
APPROVED		DATE	
D. CROFT		03-14-12	
SCALE	SHEET	OF	REV:
NTS	1	1	A
DRAWING No			
MHDTZK SERIES			

# RoHS COMPLIANT



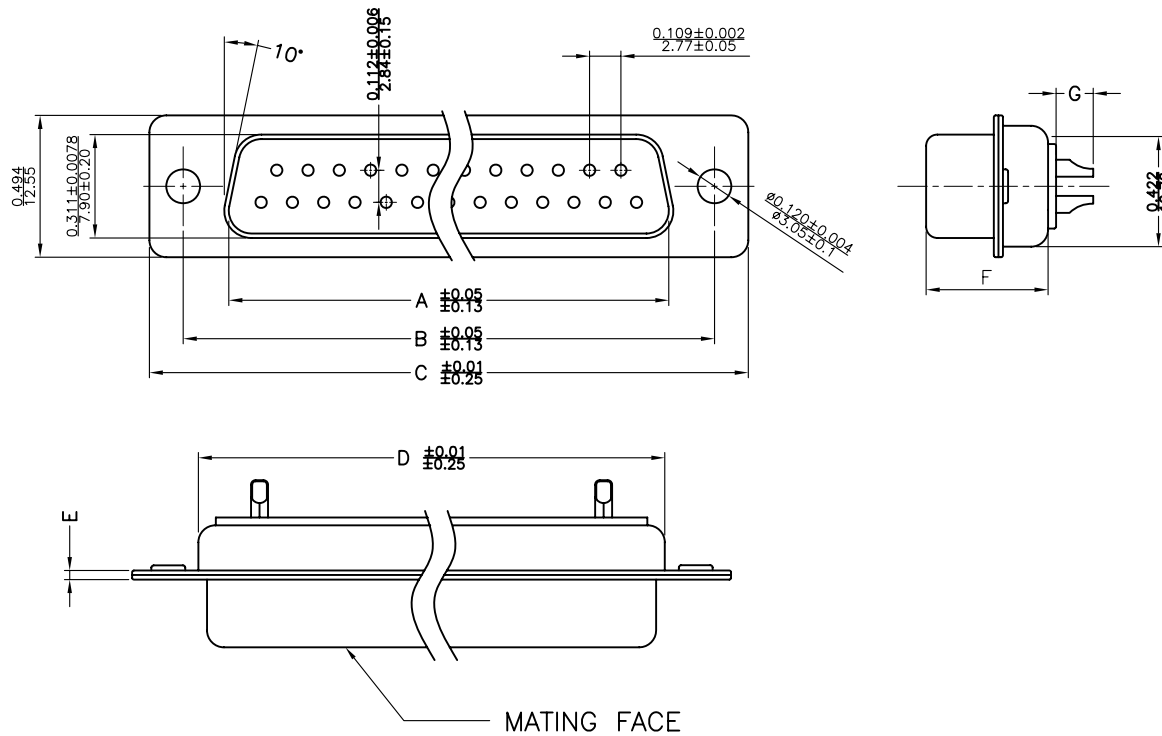
## MH CONNECTORS LTD.

THIS IS A C.A.D. GENERATED DRAWING  
DO NOT MAKE MANUAL REVISIONS TO MASTER.



\* UNLESS OTHERWISE SPECIFIED TOLERANCES  
ON DECIMAL IS: .XX ± 0.35

UNIT: MM



**Material & Finish**

Shell:  
Steel  
Nickel or Tin plated

Pin Contact:  
Brass  
Gold plated over nickel

Insulator:  
PBT glass-fiber reinforced UL 94-V0

Number of contact:  
9,15,25,37,50

Current rating: 5 amp

Dielectric strength:  
1000V for one minute

Insulator resistance:  
1000MΩ Min at 500V DC

Temperature:-55°C ~105°C

ITEM NO	A	B	C	D	E	F	G
MHDM9SS	16.33(0.643)	24.99(0.984)	30.81(1.213)	19.28(0.759)	1.0(0.0394)	10.8(0.425)	2.30(0.091)
MHDM15SS	24.66(0.971)	33.32(1.312)	39.14(1.541)	27.51(1.083)	1.0(0.0394)	10.8(0.425)	2.30(0.091)
MHDM25SS	38.38(1.511)	47.04(1.852)	53.04(2.088)	41.30(1.625)	1.0(0.0394)	10.8(0.425)	2.30(0.091)
MHDM37SS	54.84(2.159)	63.50(2.500)	69.32(2.729)	57.71(2.272)	1.0(0.0394)	10.8(0.425)	2.30(0.091)
MHDM50SS	52.34(2.060)	61.11(2.406)	66.92(2.634)	55.30(2.177)	1.0(0.0394)	10.8(0.425)	2.30(0.091)

THESE DRAWINGS AND SPECIFICATIONS ARE THE PROPERTY OF MH CONNECTORS LTD. AND SHALL NOT BE REPRODUCED, COPIED OR USED AS THE BASIS FOR THE MANUFACTURE OR SALE OF APPARATUS WITHOUT WRITTEN PERMISSION.

DRAWN Johnny	DATE 07-24-12
APPROVED	DATE



THIS SERIES FULLY CONFORMS TO THE EUROPEAN UNION DIRECTIVES 2002/95/EC AND 2002/96/EC FOR RoHS COMPLIANCY.



**MH CONNECTORS LTD.**

SCALE 1:1	SHEET OF 1 OF 1	REV: 1.0
DRAWING No MHDM SS		