

KombiSIGN 50 / Accessories

**Tube D25mm 1000mm long SR**

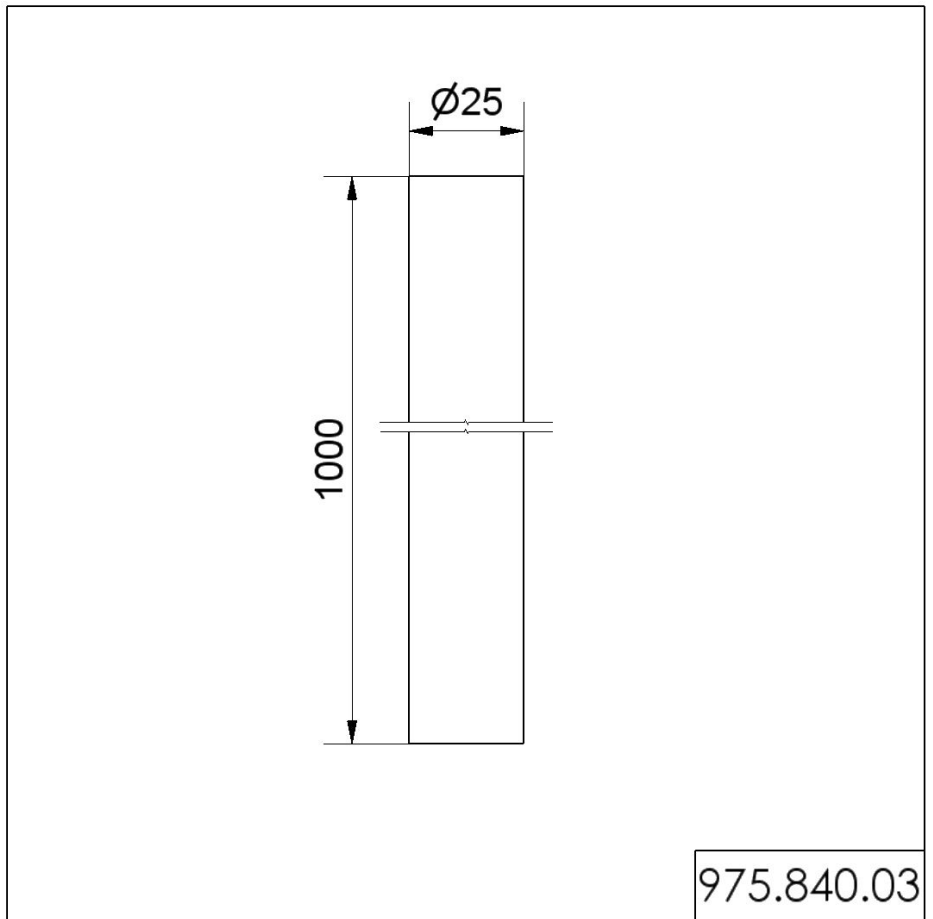


**Part No.:** 975.840.03

**MECHANICAL DATA**

Height	1000 mm
Diameter	25 mm
Materials	Aluminium
Housing colour	Silver
Weight with packaging	296 g
Product weight	296 g

**DRAWING**



For additional installation and mounting information, refer to the appropriate user guide at [www.werma.com](http://www.werma.com). This printed copy is for information only and is subject to alteration.