

**NOTES:**

**ELECTRICAL:**

1. Contact Resistance : 20MΩ MAX
2. Insulation Resistance : 500MΩ MIN @ 500V DC
3. Withstand Voltage : DC 1000V AC 700V RMS 60Hz, 1MIN
4. Component testing for Cat. 6A to ISO/IEC 11801 Ed. 2.2:2011-06  
DIN EN 50173-1:2011-09  
TIA/EIA-568-C.2 (2009-08)  
IEC 60603-7-5 Ed.1 (12/2008)
5. Compliance with Class EA up to 500 MHz to ISO/IEC 11801 Ed.2.2:2011-06  
DIN EN 50173-1:2011-09

**ENVIRONMENTAL:**

1. Storage temperature : -40° T0+70°
2. Operation temperature : -10° to+60°

**MECHANICAL**

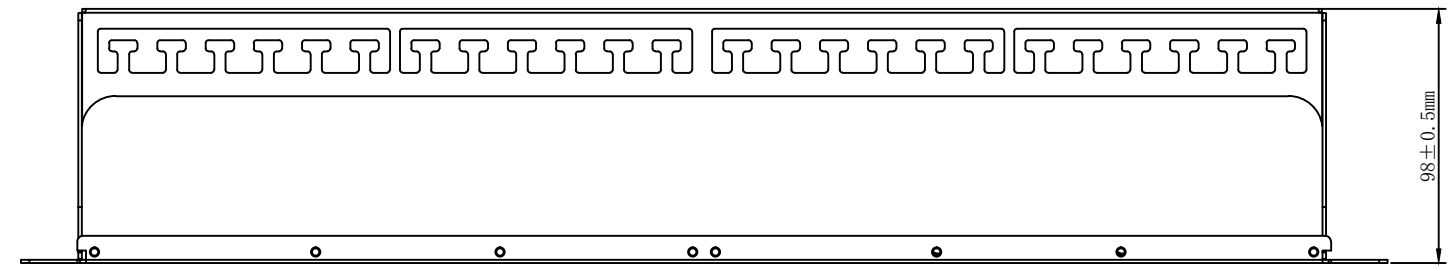
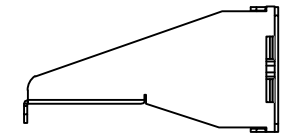
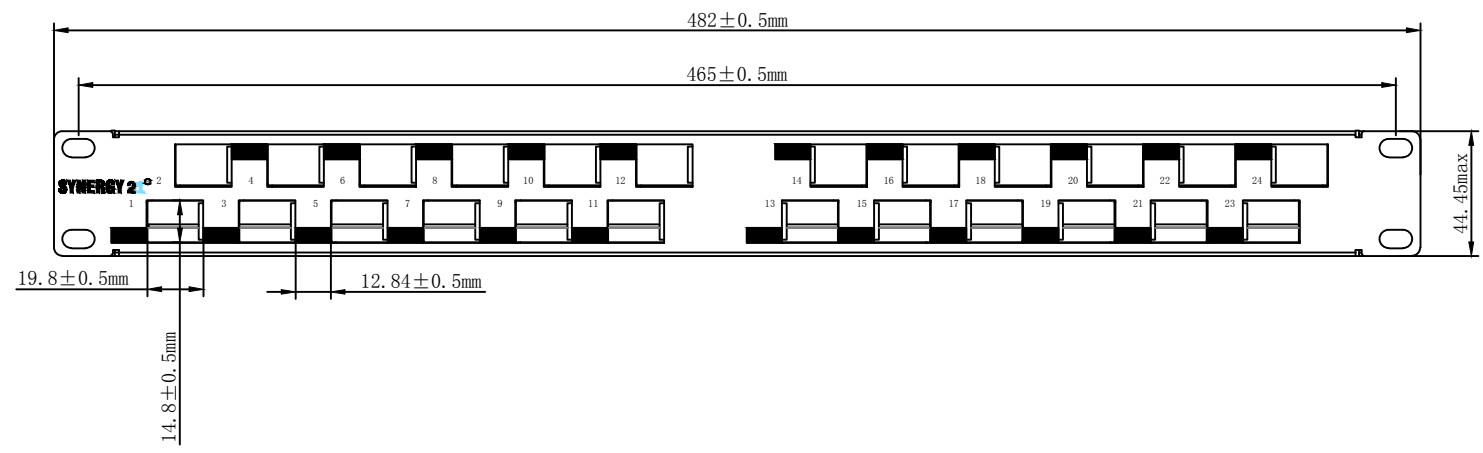
1. SHIELD MATERIAL: ZINC ALLOY (Silver)
  2. IDC MATERIAL: PC TERMINAL:PHOSPHOR BRONZE, TIN PLATING
  3. RJ45 Contact Life: 750 Times Min
  4. Plug inforce:<30N
  5. Solid cable:1/22AWG(0.65MM)-1/26AWG(0.40MM) ID:1.05MM-1.5MM
  6. Cable OD: 5.0mm-8.0mm
  7. PoE per IEEE 802.3af, PoE+ per IEEE 802.3at
  8. 360° Shield connection
- Packing: 1pc/PE Bag + Label  
RoHS 2.0 and REACH Compliant

**MATERIAL LIST:**

⑦	MODULAR COVER	PC White	1	
⑥	RJ 45 JACK INSERT	PHOSPHOR BRONZE 8P8C GOLD PLATED	8	
⑤	PCB	1.2mm UL 94V0	1	
④	IDC BODY	PC White	1	
③	IDC PIN	PHOSPHOR BRONZE & TINNED	8	
②	LABEL COLOR CODE	T568A/B	2	
①	IDC TERMINAL	FOR 22-26AWG(0.40mm-0.65mm) CABLE	1	

NO	PARTS NAME	SPECIFICATION STANDARD	QT' Y	REMARK
		NEW	2020-02-21	A
BY	CHK	REVISION RECORD MODIFICATIONS	DATE	REV.

SYNERGY 21					
CUSTOMER	ITEM NO.	S216364			
PRODUCT NAME	manufacture country:	china	UNIT	MM	
CAT. 6A STP KEYSTONE JACK					
DRAWNBY	CHECKBY	APPOBY	DATE		
SYNERGY 21	SYNERGY 21	SYNERGY 21	2020-02-21		



# SYNERGY 21<sup>®</sup>

"SYNERGY 2<sup>®</sup>" for black printing The pantone of Color is black c  
 "1" for blue printing The pantone of Color is 298C

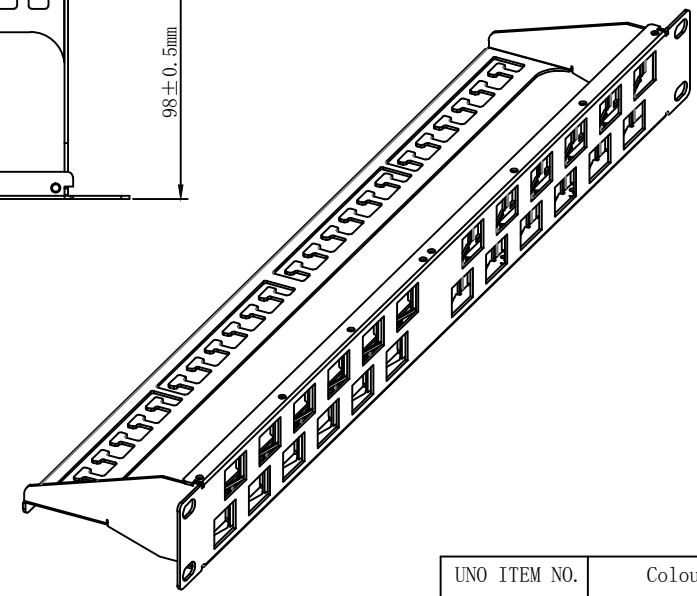
**NOTE:**

Modular install Front panel with plastic powder cladding  
 Material SPCC Thickness:1.2mm Nickel plated  
 Suitable for keystone jack modules with width less than 17.4mm  
 RoHS 2.0 and REACH Compliant

**Accessory:**

- 1. Cable Tie(75X1.9mm) \*24pcs
- 2. Screw and Nut M6\*18mm × 4set

PACKING:1PCS/PE BAG+BOX, 10PCS/Carton



UNO ITEM NO.	Colour
S216360	Gray RAL 7035
	Black RAL 9005

SYNERGY 21									
CUSTOMER			ITEM NO.						
PRODUCT NAME	19"1U 24 ports blank Patch panel, staggered desgin, 45 degree		manufacture country:	CHINA	UNIT	MM			
DRAWNBY		CHECKBY		APPOBY		DATE			
SYNERGY 21		SYNERGY 21				2020-02-18			

NEW			2020-02-18	A					
BY	CHK	REVISION RECORD MODIFICATIONS		DATE	REV.				