

1/2 Disc, Automatic Reset type thermostat

US-622



Specification

Electrical rating	1) 125 VAC, 15A max., resistive load 250 VAC, 10A max., resistive load 100,000 times or more
Switching durability	2) 250 VAC, 16A max., resistive load 30,000 times or more 3) 250 VAC, 6(6)A Cos φ 0.6, Inductive load 10,000 times
Operating temp range	10 to 185°C (50 Degrees F to 365 Degrees F)
Differential	10 to 25K (50 Degrees F to 77 Degrees F)
PTI	250V
Temp tolerance	150°C or less; Operating temp. ±4°C/Returning temp. ±7°C 151°C or more; Operating temp. ±5°C/Returning temp. ±8°C
Circuit resistance (initial value)	50 mΩ or less
Insulation resistance	100 MΩ or more (with a 500 VDC megger)
Dielectric strength	1,500 V/1 minute
The maximum override temperature	235°C (455 Degrees F)

* The differential varies slightly with the operating temperature.
* Please contact the Overseas Sec for the details since the types and specifications of the approved models are slightly different from those shown above.



1/2 Disc, Automatic Reset type thermostat

Model Code

US-622□□□□□

- Cover material and mounting bracket type**
- LS: Stainless steel, Stationart surface bracket
 - FF: Stainless steel, Movable surface bracket
 - QE: Aluminum, Movable surface bracket
 - QL: Aluminum, Movable surface bracket
 - QM: Aluminum, Movable surface bracket
 - QN: Aluminum, Movable surface bracket
 - QD: Aluminum, Movable surface bracket
 - FO: Stainless steel, No bracket
 - RO: Stainless steel, No bracket, 20 φ round flange
 - QO: Aluminum, No bracket
 - DO: Aluminum, No bracket, Exposed type
 - NO: Aluminum, No bracket, 20 φ round flange
 - IO: Stainless steel, Air stream bracket (Depth/4.6mm)
 - CO: Stainless steel, Air stream bracket (Depth/4.2mm), Exposed type
 - JO: Stainless steel, Air stream bracket (Depth/5.2mm)
 - KO: Aluminum, Air stream bracket (Depth/4.8mm)
 - GO: Aluminum, Air stream bracket (Depth/5.4mm)
 - SO: Stud mounting
- [6-32UNE/8-32UNC/10-32UNF/M3×0.5/M4×0.7/M5×0.8]

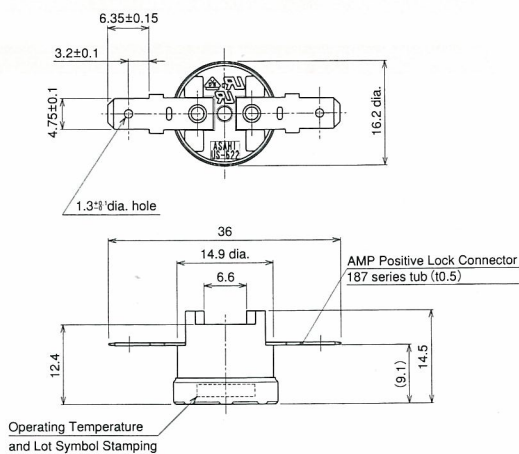
- Terminal type**
- L: Equivalent to Positive Lock Connector 250 series
 - M: Equivalent to Positive Lock Connector 187 series (t0.5)
 - S: For soldering
 - V: Equivalent to IEC 730-1 (size:4.8)
 - D: Equivalent to DIN46244 (Brass/size:4.8)
 - J: Equivalent to DIN46244 (Steel/size:6.3)

- Terminal angle**
- R: Horizontal (See the figure shown to the follows)
 - T: Vertical (See the figure shown to the follows)

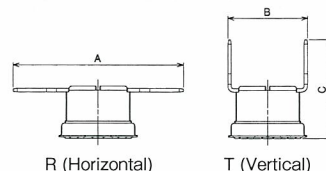
- Contact type**
- X: Open on temperature rise
 - Y: Close on temperature rise

- Application type**
- A: Ag contact/Standard case
 - P: Ag contact/4 post case
 - K: Au cross bar contact/Standard case

Dimensional drawings



Terminal type and angle



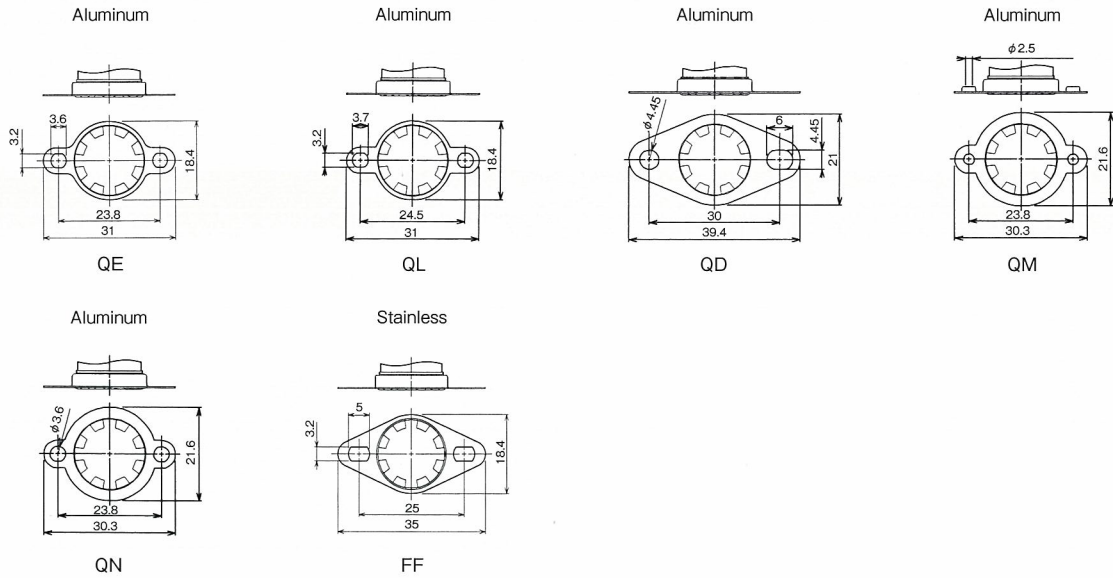
Terminal type	A	B	C
L	40.0	19.0	23.5
M	36.0	18.0	21.0
S	23.0	15.5	15.5
V	36.5	19.0	21.5

[Unit : mm]

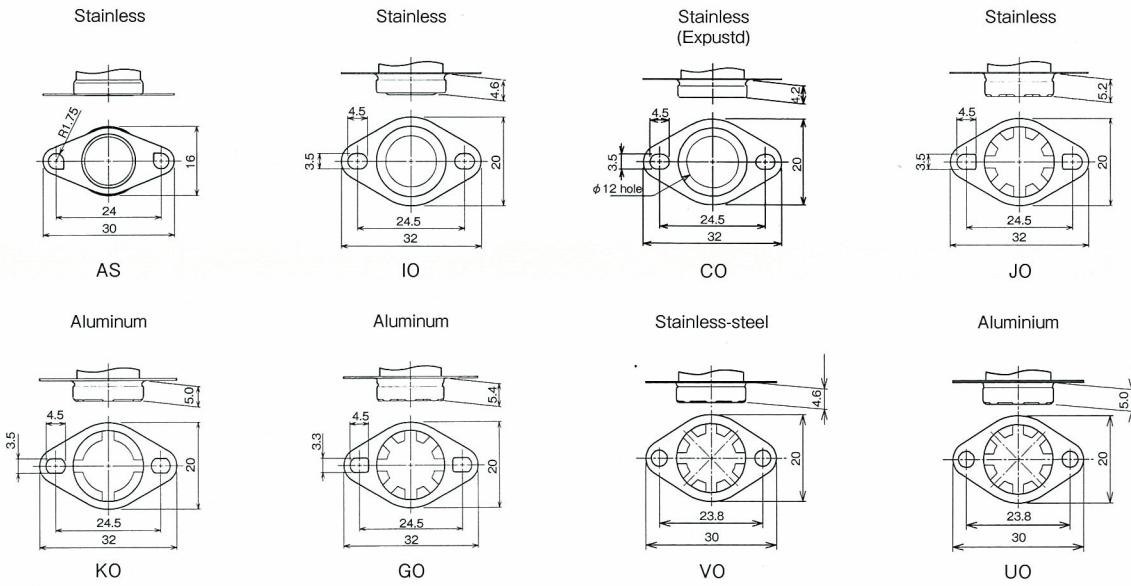
*Above dimation is applied for US-622A and K

Holder model

Movable bracket



Fixed bracket (FIXED)



No bracket

