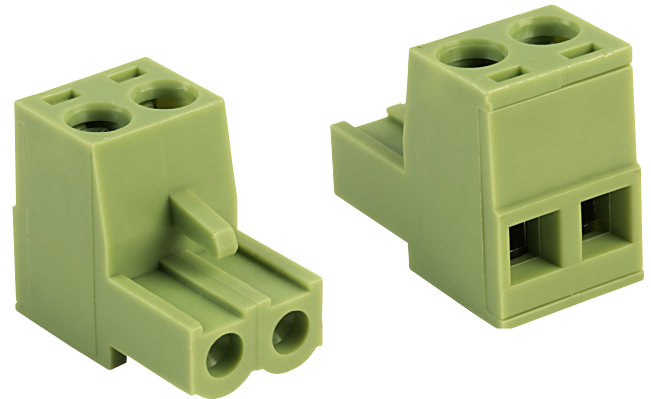


5.08mm Female Pluggable Horizontal 15A Terminal Blocks

Specifications

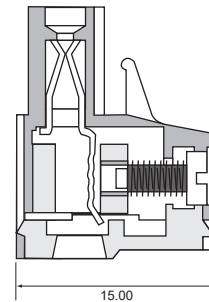
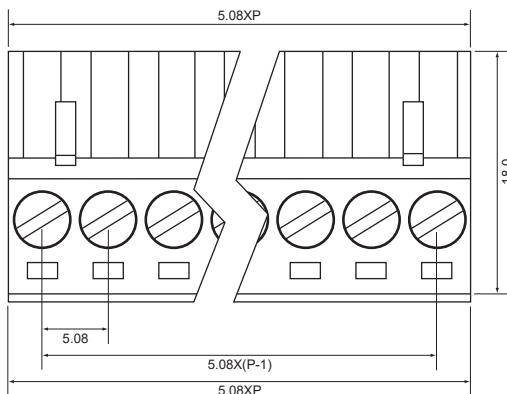
| | |
|--------------------------|------------------------------|
| Pitch: | 5.08mm |
| Type: | Pluggable |
| Poles: | 2 to 12 |
| Rated Voltage: | 300V |
| Rated Current: | 15A |
| Operational Temperature: | -40°C to +105°C |
| Withstand Voltage: | 2500V AC for 60s |
| Insulation Resistance: | 500MΩ at 500V DC |
| Wire Range: | 26-12AWG, 2.5mm ² |
| Wire Stripping Length: | 6-7mm ± 0.5mm |
| Screw Size: | M2.5 |
| Max. Torque Value: | 0.4Nm |
| Wave Soldering: | 260°C for 5s |
| Hand Soldering: | 350°C for 10s |



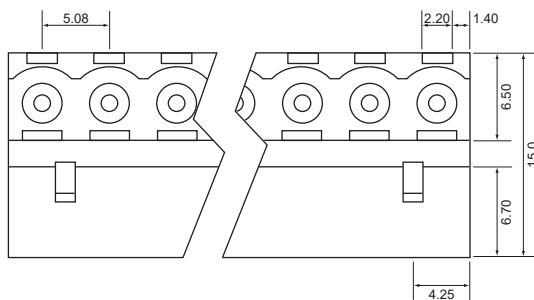
Colour and Materials

| | |
|-------------------|------------------------|
| Housing Colour: | Green |
| Housing Material: | PA66 |
| Flame Retardancy: | UL94-V0 |
| Screw: | Zinc-plated steel (A3) |
| Wire Cage: | Nickel-plated brass |
| Contact: | Phosphor bronze |

| Order Code | Poles | Order Code | Poles |
|------------|-------|------------|-------|
| 21-2840 | 2 | 21-2845 | 8 |
| 21-2841 | 3 | 21-2938 | 9 |
| 21-2842 | 4 | 21-2846 | 10 |
| 21-2843 | 5 | 21-2939 | 11 |
| 21-2844 | 6 | 21-2847 | 12 |
| 21-2880 | 7 | | |



Measurements are in mm unless stated otherwise.



For further information on pricing, delivery, and long-term stock agreements please get in touch with your local business development contact. Telephone our main office on **01206 838000** or email Sales@Rapidonline.com.

The information contained in this datasheet is subject to change without notice and replaces all data sheets previously supplied.

