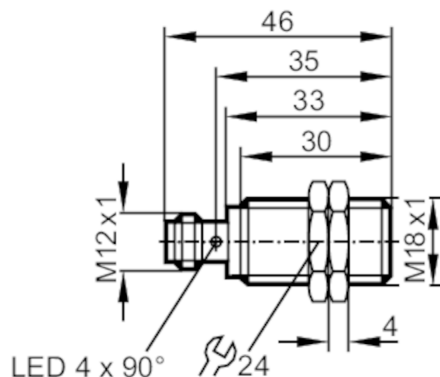


IGT204



Inductive sensor

IGB3008BAPKG/M/V4A/US-104-DPO




Product characteristics	
Electrical design	PNP
Output function	normally closed
Sensing range [mm]	8
Housing	threaded type
Dimensions [mm]	M18 x 1 / L = 46
Application	
Special feature	Gold-plated contacts; Increased sensing range
Application	Use in wet areas and in the food and beverage industry
Electrical data	
Operating voltage [V]	10...36 DC
Current consumption [mA]	10; (24 V)
Protection class	II
Reverse polarity protection	yes
Outputs	
Electrical design	PNP
Output function	normally closed
Max. voltage drop switching output DC [V]	2.5
Permanent current rating of switching output DC [mA]	100
Switching frequency DC [Hz]	600
Short-circuit protection	yes
Type of short-circuit protection	pulsed
Overload protection	yes
Detection zone	
Sensing range [mm]	8
Operating distance [mm]	0...6.48
Increased sensing range	yes

IGT204



Inductive sensor

IGB3008BAPKG/M/V4A/US-104-DPO

Accuracy / deviations		
Correction factor	steel: 1 / stainless steel: 0.7 / brass: 0.4 / aluminium: 0.4 / copper: 0.3	
Hysteresis [% of Sr]	1...20	
Operating conditions		
Ambient temperature [°C]	0...100	
Protection	IP 68; IP 69K; ("COP")	
Tests / approvals		
EMC	EN 61000-4-2 ESD	4 kV CD / 8 kV AD
	EN 61000-4-3 HF radiated	10 V/m
	EN 61000-4-4 Burst	2 kV
	EN 61000-4-6 HF conducted	10 V
	EN 55011	class B
MTTF [years]	1754	
UL approval	Ta	0...40 °C
	Enclosure type	Type 1
	voltage supply	Limited Voltage/Current
	File number UL	E174191
Mechanical data		
Weight [g]	44.9	
Housing	threaded type	
Mounting	flush mountable	
Dimensions [mm]	M18 x 1 / L = 46	
Thread designation	M18 x 1	
Materials	stainless steel (1.4404 / 316L); sensing face: PEEK	
Displays / operating elements		
Display	switching status	4 x 90° LED, yellow
Accessories		
Accessories (supplied)	lock nuts: 2	
Remarks		
Pack quantity	1 pcs.	
Electrical connection - plug		
Connector: 1 x M12; Contacts: gold-plated		
		

IGT204



Inductive sensor

IGB3008BAPKG/M/V4A/US-104-DPO

Connection

