

MIRO 6.2 TIMER

Impulsverlängerung 24 VDC / 25 mA / 45 ms

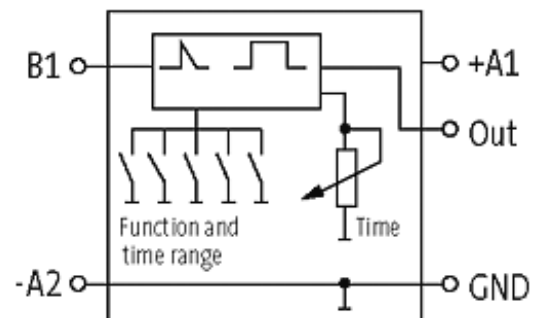
Transistor output

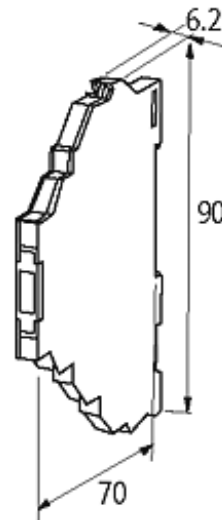
Impulse expansion: 40...45 ms

Spring clamp terminals

[Link to Product](#)

Illustration





Product may differ from Image

General data

Test isolation voltage	no galvanic separation
Dimensions H x W x D	90x60.2x70
Mounting method	DIN-rail mountable (EN 60715)
Temperature range	-20...+60 °C (storage temperature -40...+80 °C)

Output

Switching voltage	2...30 V DC
Switching current per output	max. 25 mA
Min. load current	0.1 mA
Switching frequency	max. 20 Hz

Commercial data

country of origin	CZ
customs tariff number	85364110
minimum order quantity	1