

M12 male 90°/M12 female 90° shielded B-cod.Profibus

PVC 1x2xAWG24 shielded vt UL/CSA 15m

PROFIBUS, B-coded

Male 90° to female 90°

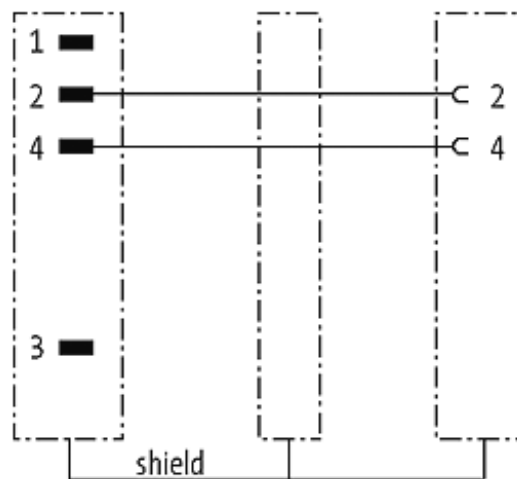
M12 - M12

2-pole, shielded

Plastic housings with good resistance against chemicals and oils. The resistance to aggressive media should be individually tested for your application. Further details on request. Further cable lengths on request.

[Link to Product](#)

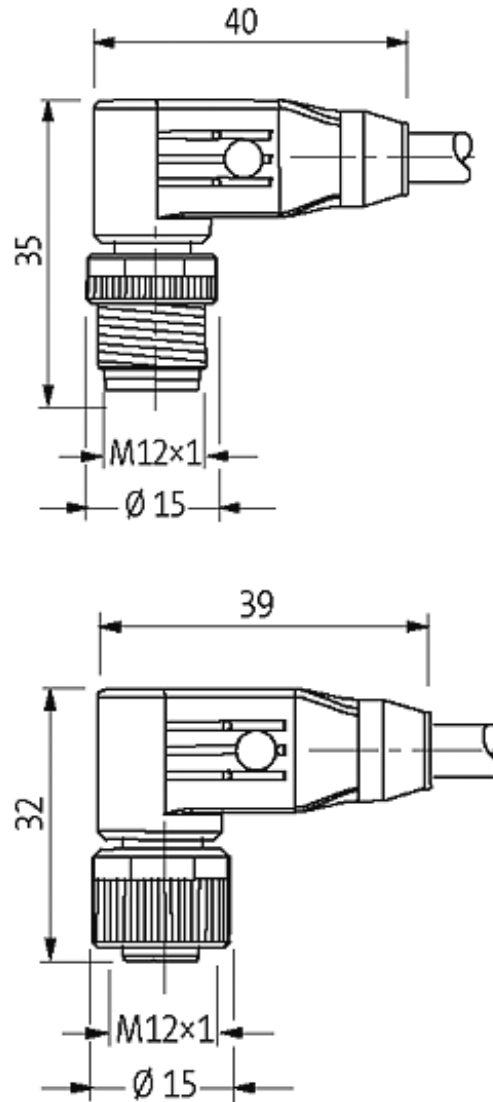
Illustration



Male

Female





Product may differ from Image

Approvals



More Info



Form

44021

Technical Data

| | |
|-------------------|-----------------|
| Operating voltage | max. 60 V AC/DC |
|-------------------|-----------------|

| | |
|-------------------------------|---|
| Operating current per contact | max. 4 A |
| Locking of ports | Screw thread M12 × 1 mm (recommended torque 0.6 Nm) self-securing |
| Protection | IP67 inserted and tightened (EN 60529) |

Cables

| | |
|-----------------------------|-----------------------------|
| Cable number | 850 |
| No./diameter of wires | 1 × 2 × Ø 0.64 mm, (violet) |
| Wire isolation | PE (rd, gn) |
| C-track properties | 2 Mio. |
| Jacket Color | violet |
| Shore hardness outer jacket | 85 ± 5A |
| Material (jacket) | PVC (UL/CSA) |
| Outer diameter | approx. 7.8 mm |
| Bend radius (fixed) | 7.5 × outer Ø |
| Bend radius (moving) | 12 × outer Ø |
| Temperature range (fixed) | -25...+70 °C |
| Temperature range (mobile) | -20...+50 °C |
| Shielded | yes |

Commercial data

| | |
|------------------------|----------|
| country of origin | DE |
| customs tariff number | 85444290 |
| minimum order quantity | 1 |