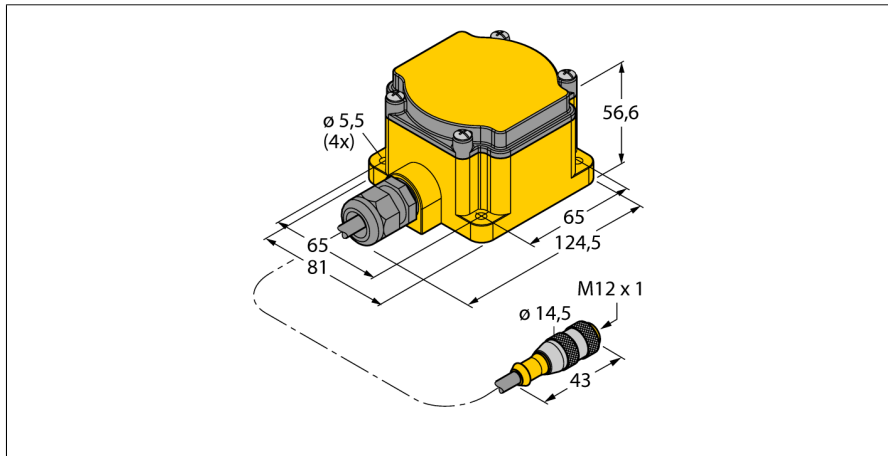
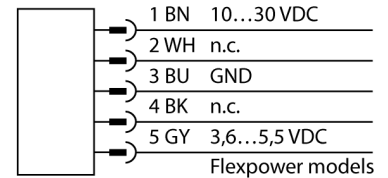


**Radio Transmission System
battery module
for external power supply
DX81-LITH**



- 150 mm cable, with male end M12 x 1
- For connection to a FlexPower device
- For XL-205F battery
- Battery included in delivery

Wiring Diagram



Functional principle

The DX81 battery modules supply the FlexPower nodes of DX80 networks with power. For XL-205F battery. Efficient energy management ensures that connected sensors are only powered by the nodes when a signal is read out. With power saving circuits and depending on the configuration, the batteries may last 2 or 3 years.

Shock and vibration resistant: IEC 68-2-6 and IEC 68-2-7

Type designation	DX81-LITH
Ident no.	3086016
Housing designation	DX80
Design	Rectangular
Housing material	Plastic, PC
Ambient temperature	-40...+85 °C
Protection class	IP67
Dimensions	124.5 x 80.9 x 50.6 mm

**Radio Transmission System
battery module
for external power supply
DX81-LITH**

Accessories

Type code	Ident no.	Description
SMBDX80DIN	3077161	Mounting panel for DIN rail, suited for CP80, DX80, K80, Q80, operating temperature. -20...+90°C
BWA-BATT-001	3078261	Lithium-ion battery, D-cell, 3.6 VDC, 19000 mAh, GGV UN3090/KL9

