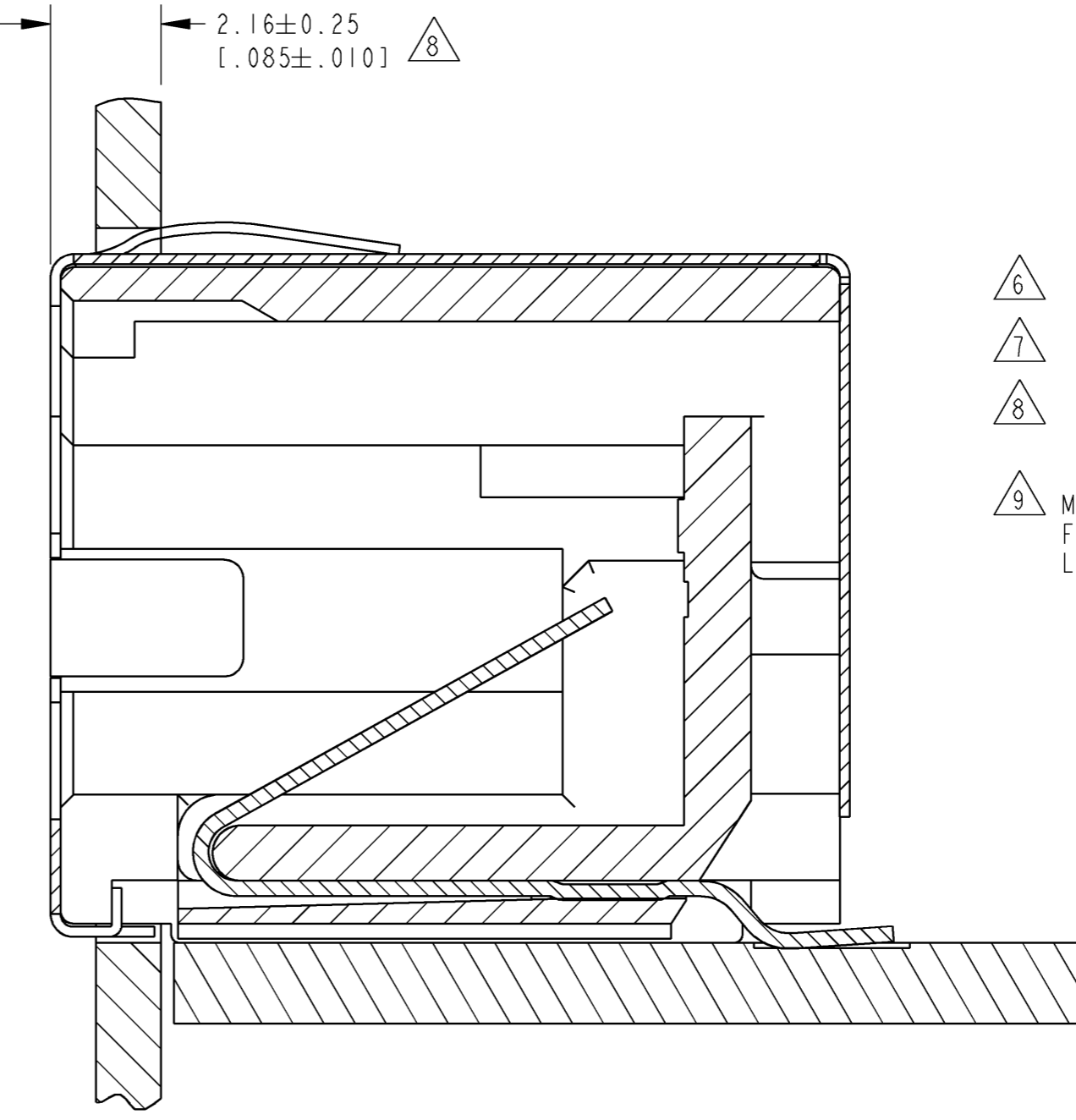
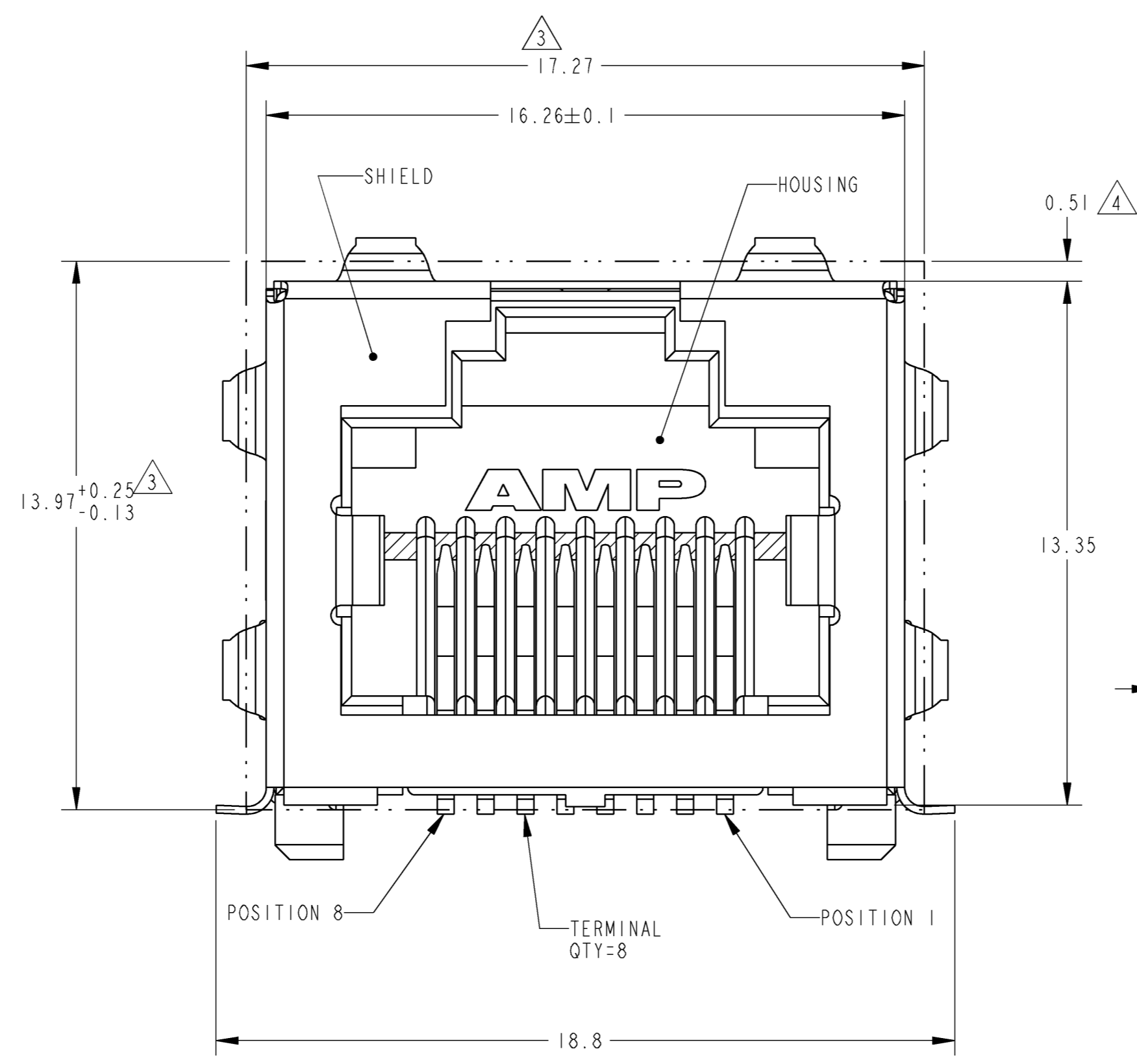
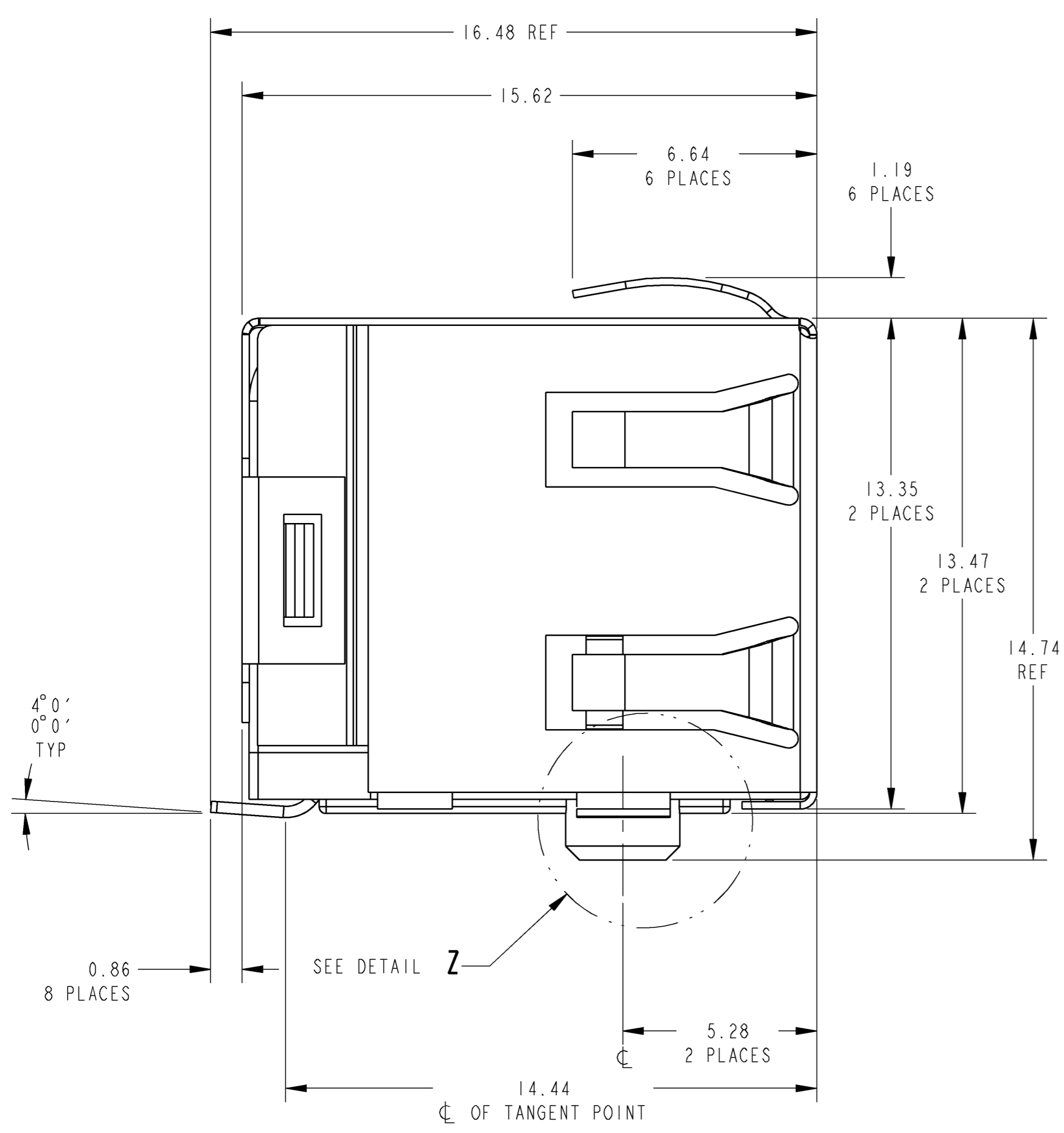
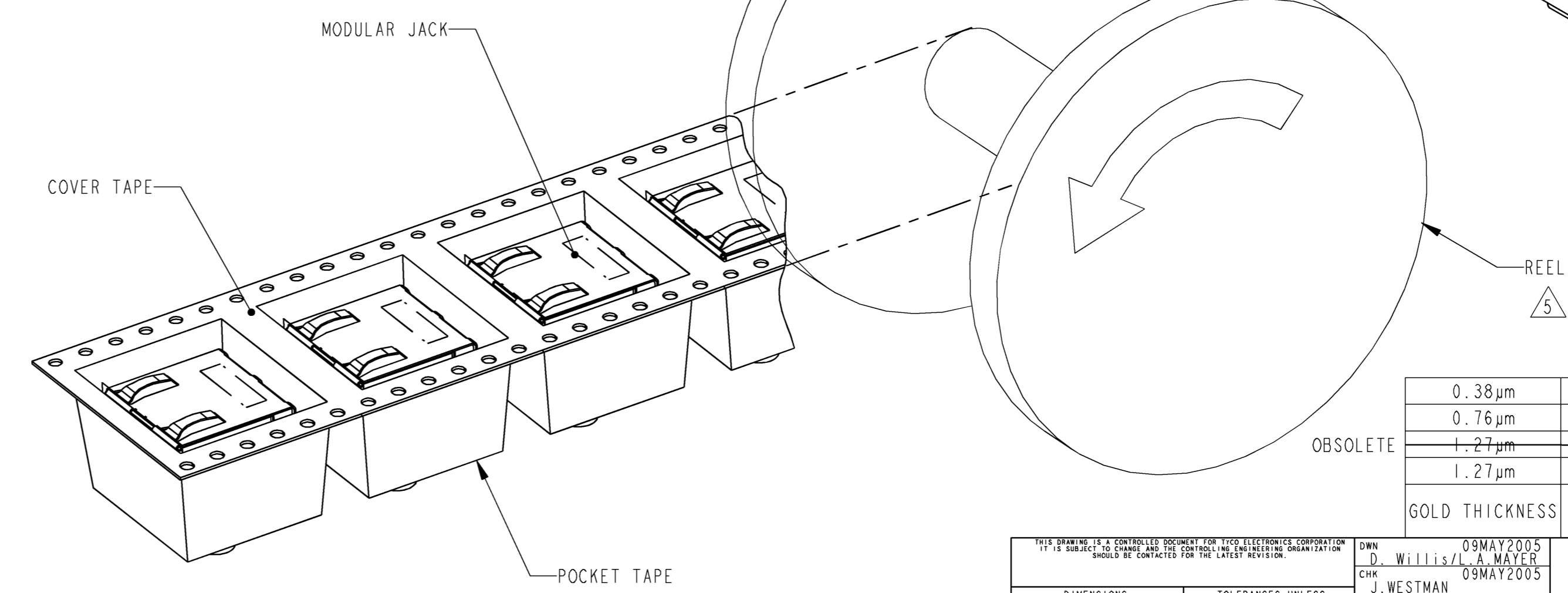
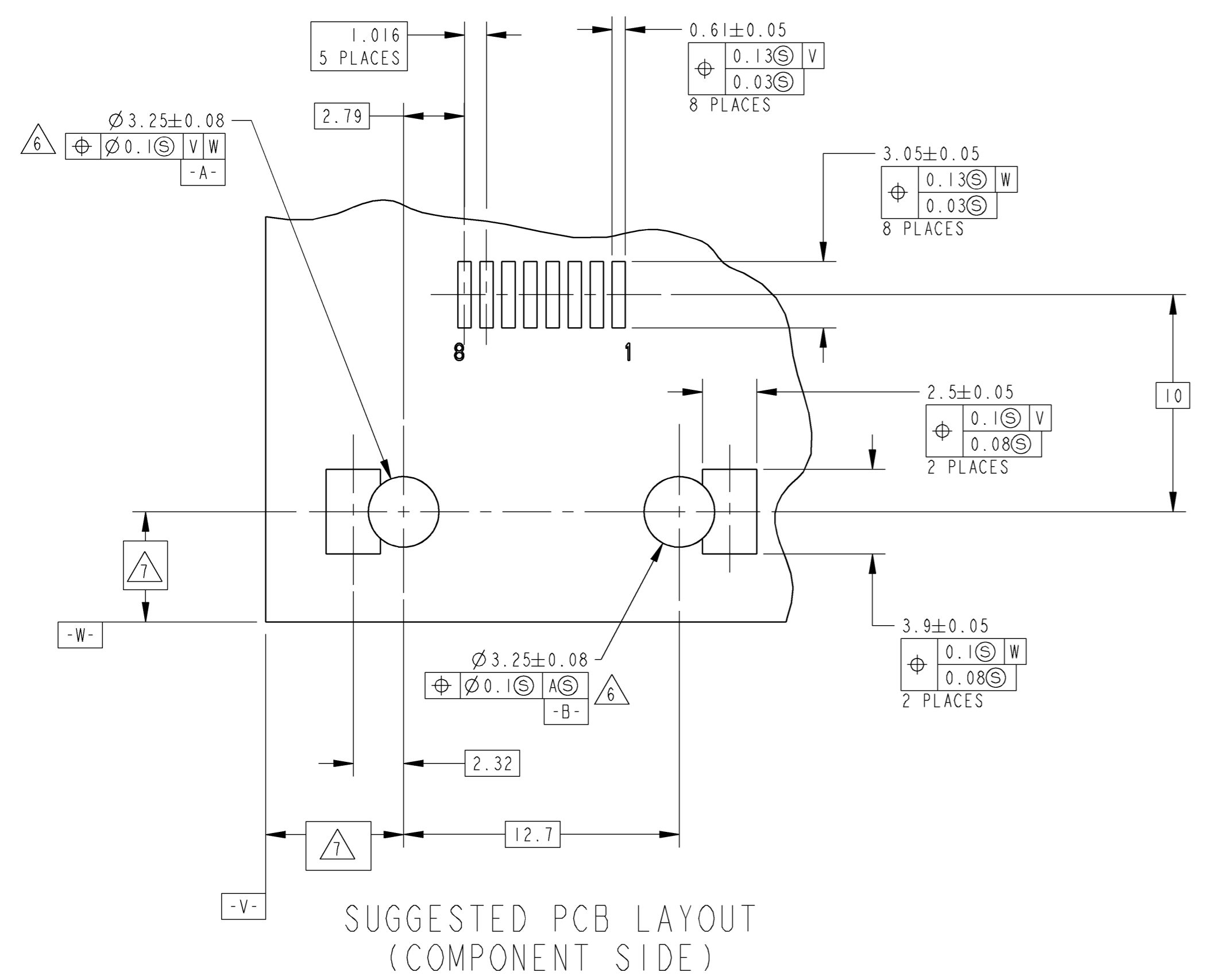
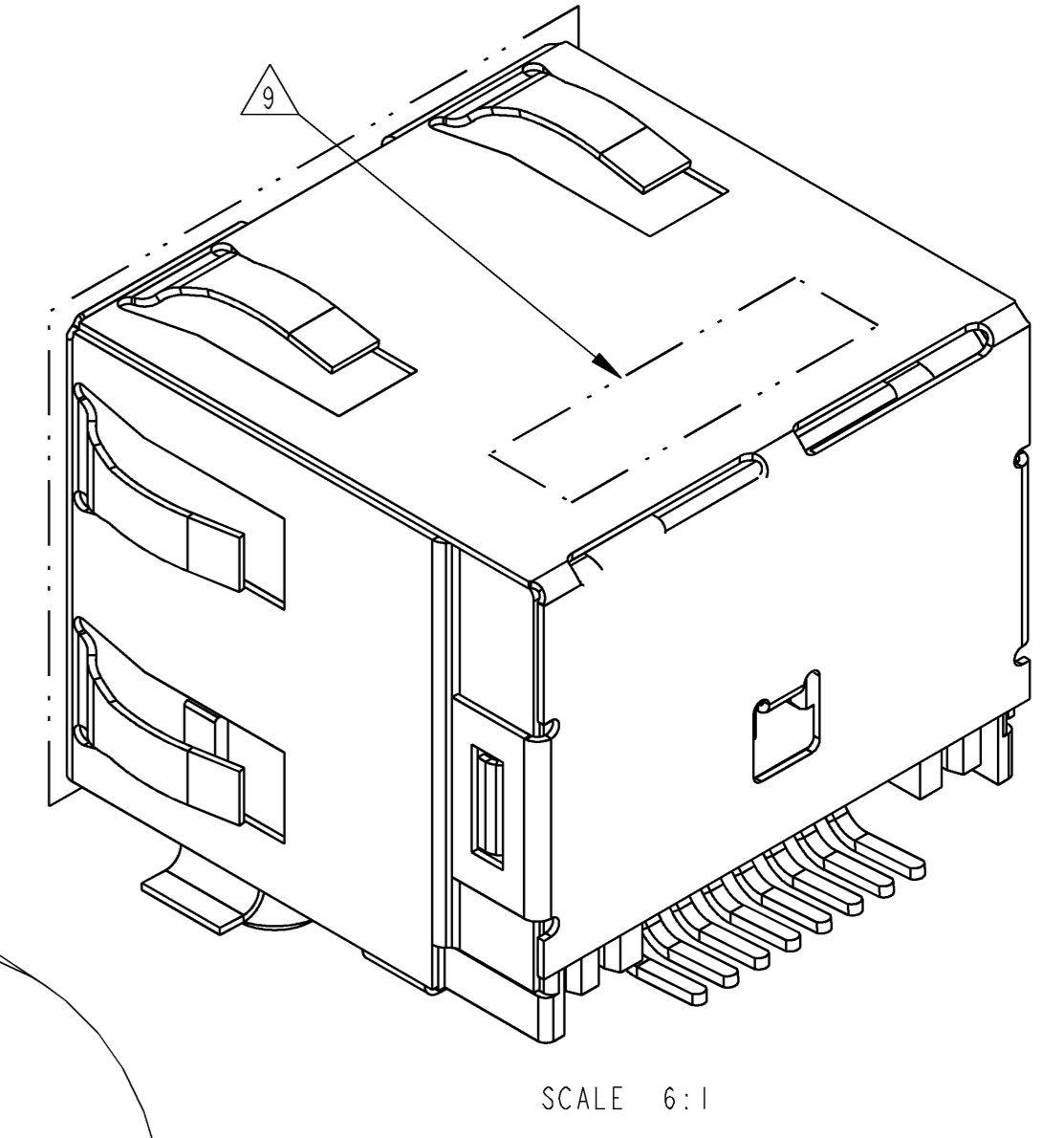
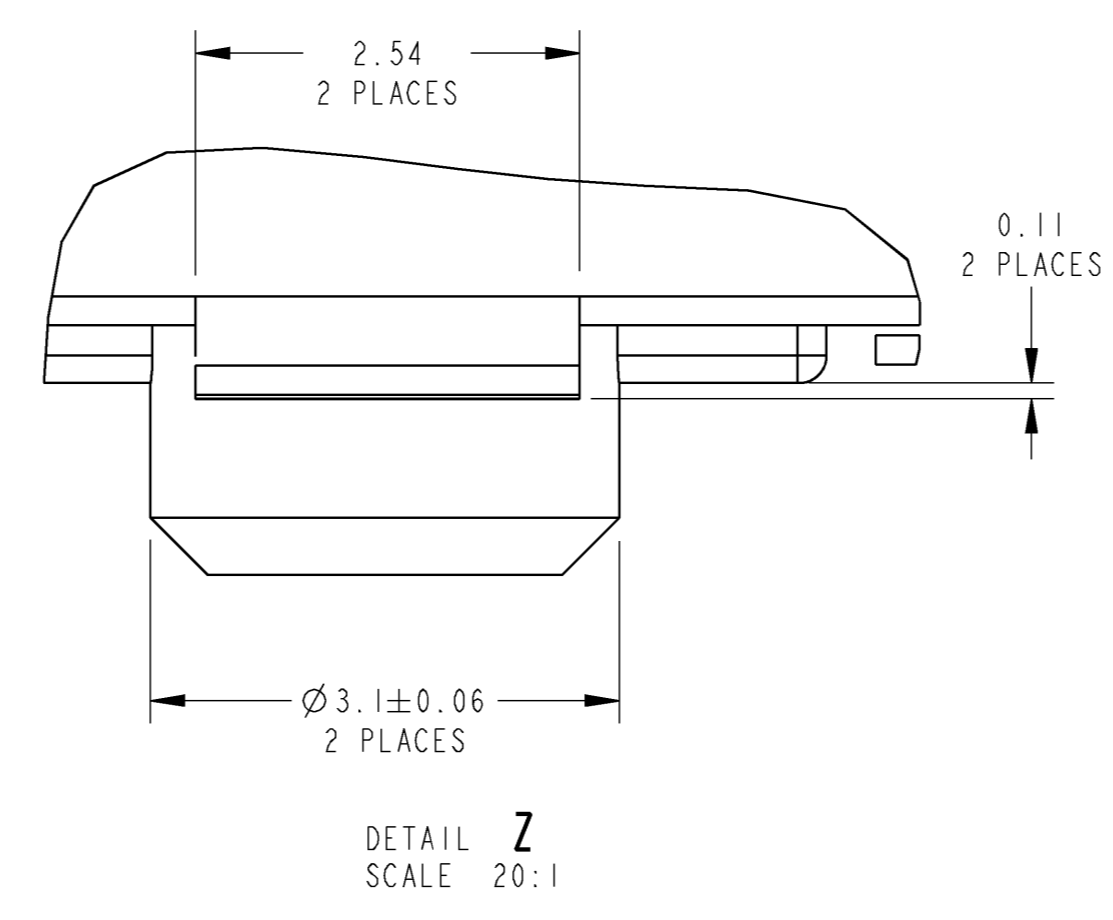


LOC	DIST	REVISIONS					
AA	00	P	LTH	DESCRIPTION	DATE	DWN	APVD
		A		ECOS11-0201-04	09MAY2005	LAM	SF
		B		ECO-07-010288	07MAY2007	LAM	PR
		C		ECO-07-023527	12OCT2007	LAM	PR
		C1		ECR-10-011831	03JUN2010	PS	PKS



- MATERIAL:  
 HOUSING - HIGH TEMP. THERMOPLASTIC, COLOR: SEE TABLE, UL94V-0.  
 TERMINALS - 0.30 THICK PHOS BRONZE PLATED WITH 2.03µm MIN THICK MATTE TIN IN SOLDER AREA.  
 GOLD (SEE TABLE) IN LOCALIZED PLATE AREA OVER 1.27µm MIN THICK NICKEL.  
 SHIELD - (SEE TABLE) 0.196 THK BRASS PREPLATED WITH 2.03µm-3.81µm THICK MATTE TIN OVER 0.76µm-2.03µm NICKEL UNDERPLATE, OR 0.76-2.03µm NICKEL WITH SELECTIVE TIN PLATED SOLDER TABS.
  - JACK CAVITY CONFORMS TO FCC RULES AND REGULATIONS PART 68, SUBPART F.
- 3 SUGGESTED PANEL OPENING DIMENSIONS. SEE APPLICATION SPEC. 114-2154 FOR PANEL THICKNESS AND POSITION RECOMMENDATIONS
- 4 SUGGESTED CLEARANCE BETWEEN TOP OF CONNECTOR AND TOP PANEL OPENING
- 5 PACKAGED: POCKET TAPE & REEL (PER EIA 481 SPECIFICATIONS)
- POCKET TAPE WIDTH - 44mm  
 POCKET PITCH - 24mm  
 POCKET DEPTH - 16.7mm
- CLEAR COVER TAPE, PSA  
 CLEAR COVER TAPE TRAILER - 1220mm, WRAPPED ON REEL HUB
- PLASTIC REEL - 381mm DIAMETER
- PRODUCT QUANTITY - 200 PIECES PER REEL
- 6 ZERO INSERTION FORCE POST WITH RECOMMENDED PCB LAYOUT
- 7 DATUM ESTABLISHED BY CUSTOMER.
- 8 CONNECTOR SHOULD BE POSITIONED THRU PANEL CUTOUT AS SHOWN TO SUPPORT TOP OF MODULAR JACK FOR STRAIN RELIEF.
- 9 MANUFACTURING DATE CODE LOCATED APPROXIMATELY AS SHOWN. FIRST 2 DIGITS ARE YEAR, SECOND 2 DIGITS ARE WORK WEEK, LAST DIGIT IS THE DAY OF THE WEEK



GOLD THICKNESS	SHIELD PLATING	HOUSING COLOR	PART NUMBER
0.38µm	MATTE TIN	YELLOW	6339160-4
0.76µm	MATTE TIN	YELLOW	6339160-3
1.27µm	NICKEL	BLACK	6339160-2
1.27µm	MATTE TIN	BLACK	6339160-1

114-2154 IS A REGISTERED TRADEMARK OF TYCO ELECTRONICS CORPORATION. IT IS UNLAWFUL TO REPRODUCE THIS DRAWING OR ANY INFORMATION HEREON WITHOUT THE WRITTEN PERMISSION OF TYCO ELECTRONICS CORPORATION.

DIMENSIONS:	TOLERANCES UNLESS OTHERWISE SPECIFIED:	DWN	09MAY2005	Tyco Electronics
mm	0 PLC ±	D. WILLIS	09MAY2005	Harrisburg, PA 17105-3608
	1 PLC ±0.25	CHE J. WESTMAN	09MAY2005	
	3 PLC ±	APVD S. FELICKINGER	09MAY2005	
	4 PLC ±	NAME		
	ANGLES FINISH	PRODUCT SPEC	108-1163-7	
MATERIAL	SEE NOTE 1	APPLICATION SPEC	114-6040/114-2154	
		SIZE	CAGE CODE DRAWING NO	RESTRICTED TO
		WEIGHT	A1 00779 C=6339160	
		CUSTOMER DRAWING	SCALE 8:1	SHEET 1 OF 1