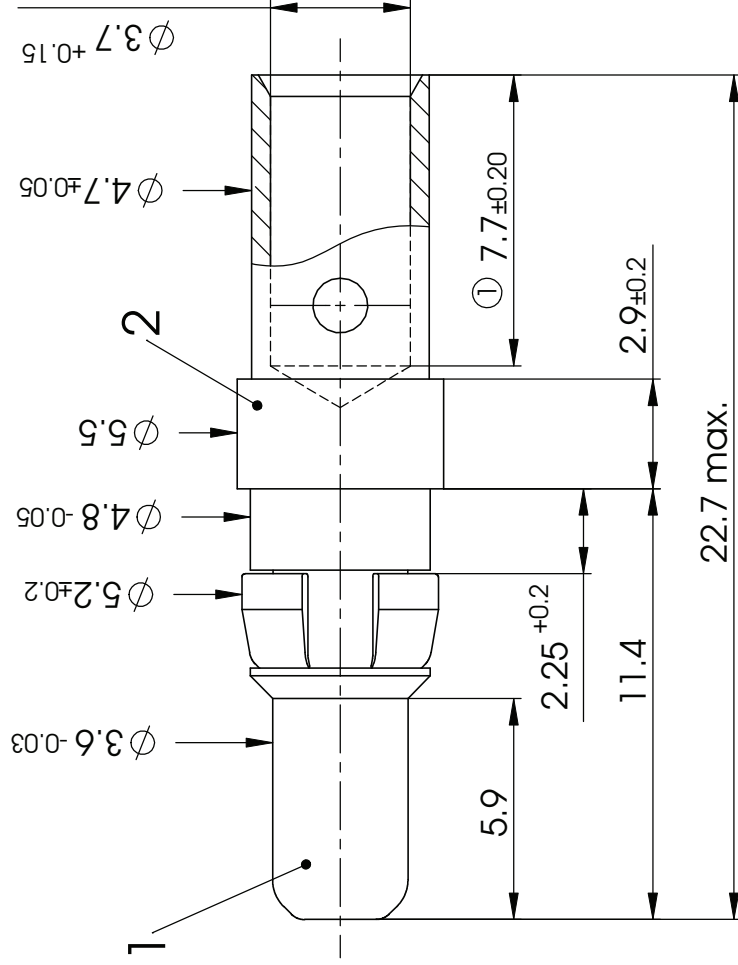
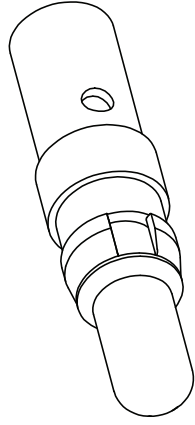


COMMENT:  
 ALL RIGHTS ARE RESERVED BY US FOR THIS DRAWING. WITHOUT OUR PRIOR CONSENT,  
 IT MAY NEITHER BE DUPLICATED NOR MADE AVAILABLE TO A THIRD PARTY,  
 AND IT ALSO MAY NOT BE IMPROPERLY USED BY THE RECEIVER, OR A THIRD PARTY.



Text No. W-4 (2)

**FCT tools:**

Hand tool: M309

Pneumatic crimp tool: WA27-309

Die: SP994

Selector Number:

AWG 10 / SEL. 7

AWG 12 / SEL. 6

AWG 20 / SEL. 2

CURRENT		30 A		HIGH POWER CONTACT		SCALE		5:1	
FOR		D-SUB		DRAWN		DATE		NAME	
DIMENSIONS IN MM				13-07-1993		Steinbrück			
MATERIAL + FINISH SEE EXTRA SHEET				31-05-2006		MTeubel			
UNLESS OTHERWISE SPECIFIED DIMENSIONS FOR REFERENCE ONLY									
2	01-08-2006	1	1330						
REV.	DATE	INDEX							
			PART NO.		FMP053P				
			REV.		2				
			REPLACEMENT FOR:		PAGE: 1/1				



ORIGINAL: DIN A4-DRAWING AS A FILE