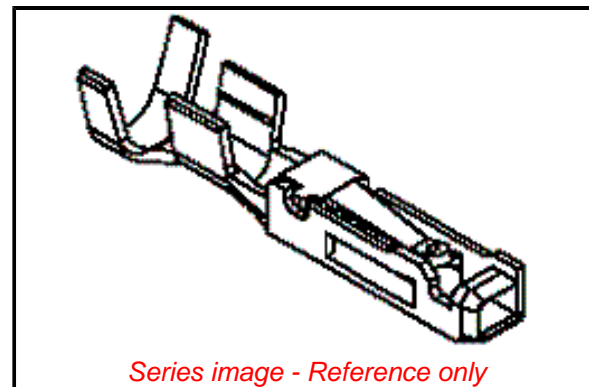


PLEASE CHECK WWW.MOLEX.COM FOR LATEST PART INFORMATION

Part Number: **5016481000**
Status: **Active**
Overview: iGrid Wire-to-Board Dual-Row System
Description: 2.00mm Pitch iGrid Wire-to-Board Crimp Terminal, Female, Tin (Sn) Plating, 26-28 AWG, Reel

Documents:

3D Model	Application Specification 5016460000-A01 (PDF)
Drawing (PDF)	Packaging Specification 5016489200-SPK-200 (PDF)
Product Specification PS-501646-001-001 (PDF)	RoHS Certificate of Compliance (PDF)
Application Specification 5016460000-A00 (PDF)	



General

Product Family	Crimp Terminals
Series	501648
Application	Signal, Wire-to-Board
Crimp Quality Equipment	Yes
Overview	iGrid Wire-to-Board Dual-Row System
Product Name	iGrid
UPC	822350357470

Physical

Durability (mating cycles max)	30
Gender	Female
Material - Metal	Copper Alloy
Material - Plating Mating	Tin
Material - Plating Termination	Tin
Net Weight	76.000/mg
Packaging Type	Reel
Termination Interface: Style	Crimp or Compression
Wire Insulation Diameter	0.85-1.40mm
Wire Size AWG	26, 28
Wire Size mm ²	0.079-0.136

Electrical

Current - Maximum per Contact	1.5A
Voltage - Maximum	250V AC (RMS)/DC

Material Info

Reference - Drawing Numbers

Application Specification	5016460000-A00, 5016460000-A01
Crimp Specification	5016470000-CS-000
Packaging Specification	5016489200-SPK-200
Product Specification	PS-501646-001-001
Sales Drawing	SD-501648-001

EU ELV

Compliant

EU RoHS

Compliant

REACH SVHC

Not Contained Per -
ED/61/2018 (27 June
2018)

Halogen-Free

Status

Low-Halogen

For more information, please visit [Contact US](#)

China ROHS

ELV

RoHS Phthalates

China RoHS

Green Image

Compliant

Not Contained

Search Parts in this Series

501648 Series

Use With

501646 Receptacle Housing