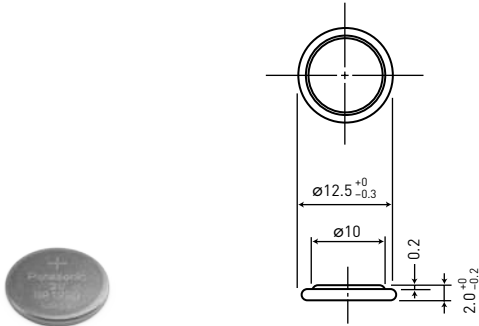


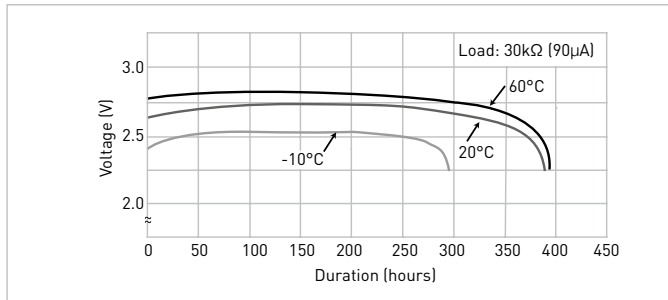
**BR-1220**

DIMENSIONS (MM)

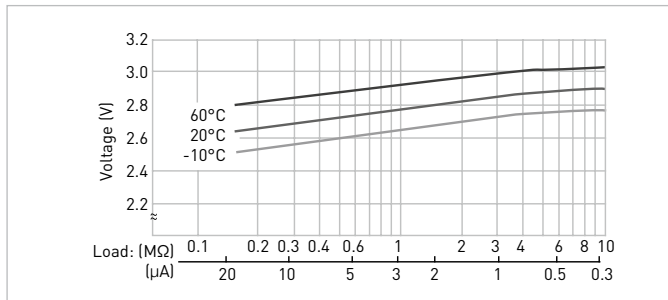


Model number	BR-1220
Nominal voltage (V)	3
Nominal capacity (mAh)	35
Diameter (mm)	12.5
Total height (mm)	2.0
Discharging temperature range (°C)	-30 to +80
Weight (g)	0.7

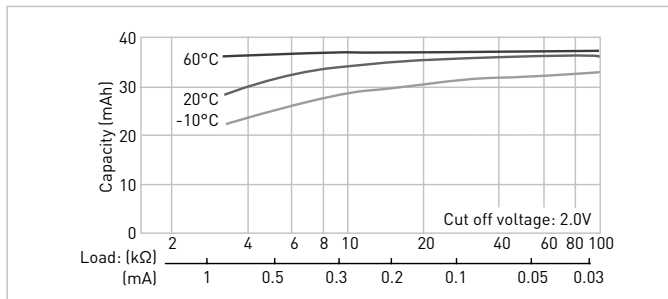
DISCHARGE TEMPERATURE CHARACTERISTICS



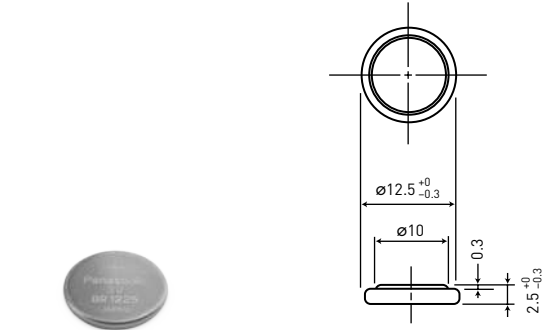
OPERATING VOLTAGE VS. DISCHARGE CURRENT\*1



CAPACITY VS. LOAD RESISTANCE

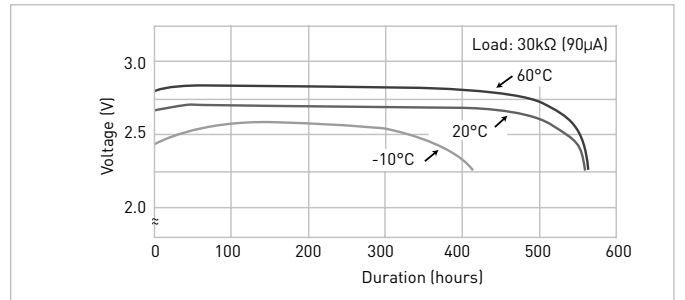


**BR-1225**

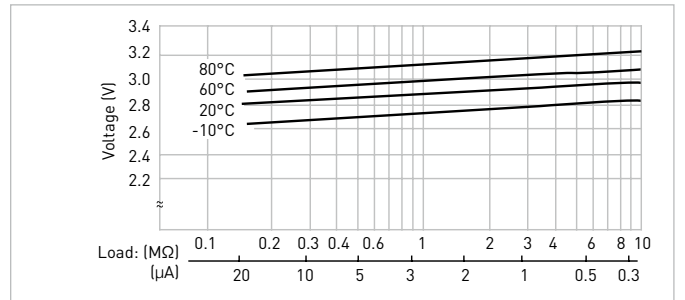


Model number	BR-1225
Nominal voltage (V)	3
Nominal capacity (mAh)	48
Diameter (mm)	12.5
Total height (mm)	2.5
Discharging temperature range (°C)	-30 to +80
Weight (g)	0.8

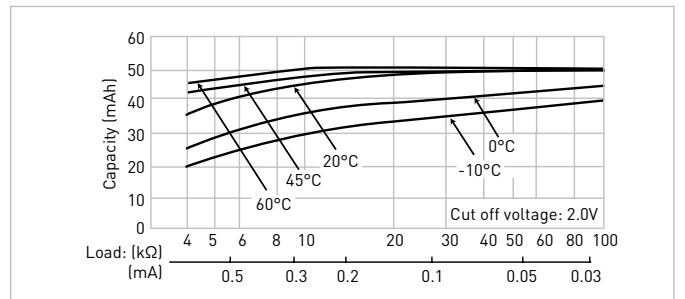
DISCHARGE TEMPERATURE CHARACTERISTICS



OPERATING VOLTAGE VS. DISCHARGE CURRENT\*1



CAPACITY VS. LOAD RESISTANCE



The data in this document are for descriptive purposes only and are not intended to make or imply any guarantee or warranty.

\*1 Voltage at 50% discharge depth.