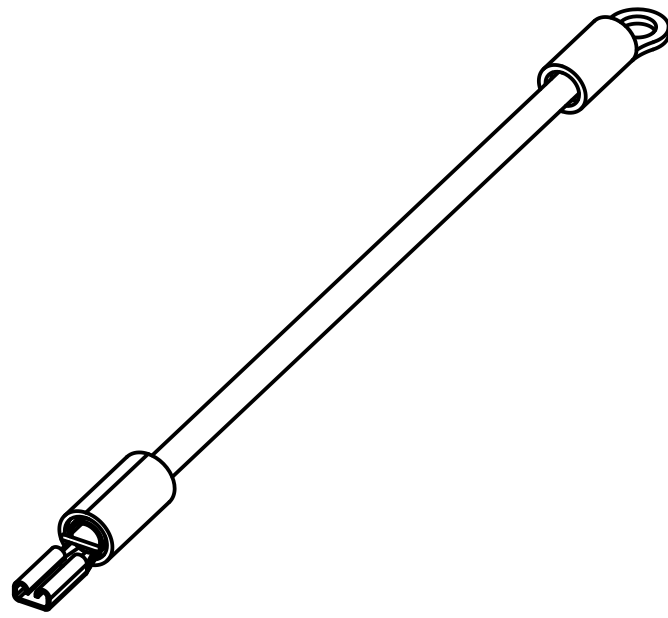
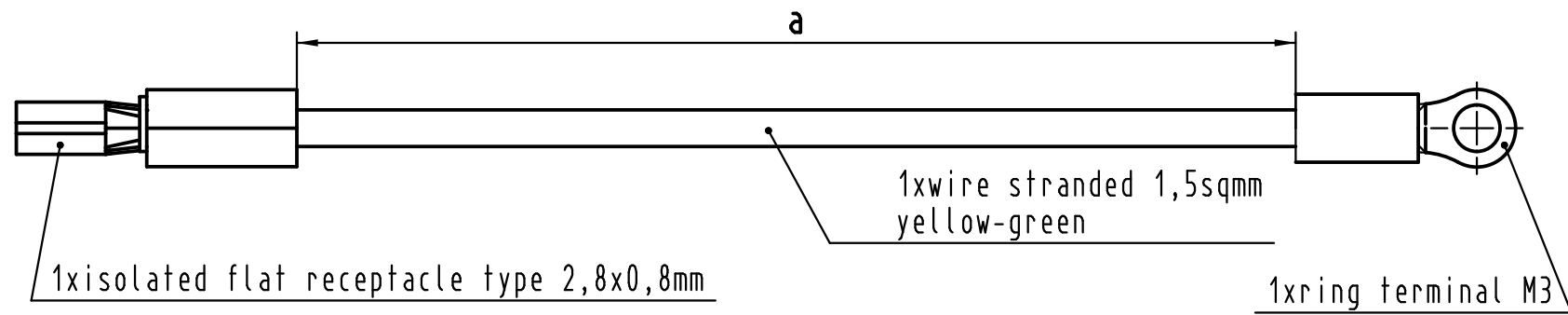


Alle Rechte vorbehalten/ All rights reserved



| | | | |
|-----------|----------------|---|--------------|
| 1 | 09 45 500 0002 | Wire assembly 1xflat receptacle, 1xring terminal, wire 1,5 sqmm | 100 ± 5 |
| Cont. no. | Part number | Designation | Length a[mm] |

| | | | | | | | |
|---|------|-----------------------------------|-------------------|-------------|---|--|-------------|
| All Dimensions in mm Original Size DIN A 3 | | Techn. Character. | | | Nicht tolerierte Maßel/Free size tolerances | | |
| | | | Dat. | Name | Maßstab/Scale 2:1 | Ground wire assembly, 1x isolated flat receptacle, 1x ring terminal, stranded wire 1,5 sqmm | |
| | | | Detail. | 06.06.11 MR | | | |
| | | | Insp. | 06.06.11 RA | | | |
| | | | Stand. | | | | |
| DRS745C | | HARTING Electronics GmbH & Co. KG | | | TB 09 45 500 0002 | | Blatt/ page |
| Mod. | Dat. | Name | D-32339 ESPELKAMP | | Sub. | Sub | |