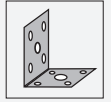


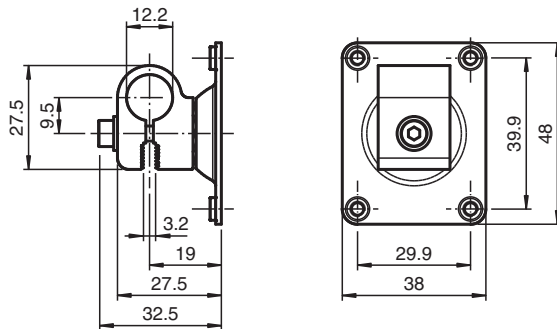
Mounting aid OMH-R200-01

- Bracket for round steel or sheet
- Simple and fast mounting



Mounting aid for round steel \varnothing 12 mm or sheet 1.5 mm ... 3 mm

Dimensions



Technical Data

Mechanical specifications	
Material	Aluminum Metal sheet (steel), zinc-plated
Screwed connection	Screws for assembly included
Mass	approx. 60 g
Note	Infinitely adjustable on all axes
Suitable series	
Series	R200 series

Release date: 2020-05-04 Date of issue: 2020-06-30 Filename: 70100995_eng.pdf

Refer to "General Notes Relating to Pepperl+Fuchs Product Information".

Pepperl+Fuchs Group
www.pepperl-fuchs.com

USA: +1 330 486 0001
fa-info@us.pepperl-fuchs.com

Germany: +49 621 776 1111
fa-info@de.pepperl-fuchs.com

Singapore: +65 6779 9091
fa-info@sg.pepperl-fuchs.com

pf PEPPERL+FUCHS