

SAI-8-M 4P M12 Ex ia

Weidmüller Interface GmbH & Co. KG
 Klingenbergstraße 16
 D-32758 Detmold
 Germany
 Fon: +49 5231 14-0
 Fax: +49 5231 14-292083
 www.weidmueller.com



Passive M12 distributors are available in all conceivable forms and configurations. Furthermore, a number of special versions, e.g. SAI distributors for EX zones or the ergonomic M8, are available only from Weidmüller. These innovative products are backed up by numerous proprietary rights.

General ordering data

Type	SAI-8-M 4P M12 Ex ia
Order No.	1896080000
Version	Sensor-actuator passive distributor, M12, Hood version Ex, Yes
GTIN (EAN)	4032248511037
Qty.	1 pc(s).

SAI-8-M 4P M12 Ex ia

Weidmüller Interface GmbH & Co. KG
 Klingenbergstraße 16
 D-32758 Detmold
 Germany
 Fon: +49 5231 14-0
 Fax: +49 5231 14-292083
 www.weidmueller.com

Technische Daten

Dimensions and weights

Net weight 276 g

General data

Connection type PE	Screw connection	Number of contact sockets	8
Fire behaviour	V-0	Contact tube diameter	M12
No. of poles	4	Storage space	Standard
Plugging cycles	≤ 50	Pollution severity	3
Distributor outlet	Hood version Ex	Insulation resistance	10 ⁹ Ω
Rated voltage , max.	30 V	Rated voltage , min.	10 V
Test voltage	1 kV	Current per signal	100 mA
Total current	2.3 A	Max. current-carrying capacity per slot	100 mA
Housing main material	Pocan	Housing colour	grey, RAL 7032
Screw socket	CuZn, nickel-plated	Hood sealing material	Viton
Contact material	CuZn	Contact surface	Gold-plated
Contact carrier material	PBT (UL 94 V0)	Clamping range, rated connection, max.	1.5 mm ²
Clamping range, rated connection, min.	0.1 mm ²	Conductor O.D.	-
LED	Yes	LED colour for indicating operation	green
LED colour for I/O function	yellow		

Classifications

ETIM 3.0	EC001856	UNSPSC	43-17-27-10
eClass 5.1	27-25-03-91	eClass 6.2	27-24-26-91
eClass 7.1	27-24-26-91		

Approvals

Approvals



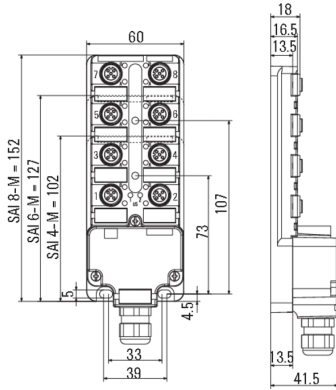
ROHS Conform

SAI-8-M 4P M12 Ex ia

Weidmüller Interface GmbH & Co. KG
 Klingenbergstraße 16
 D-32758 Detmold
 Germany
 Fon: +49 5231 14-0
 Fax: +49 5231 14-292083
 www.weidmueller.com

Zeichnungen

Dimensioned drawing



Circuit diagram

