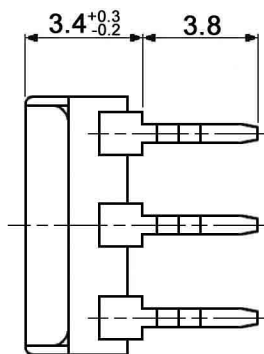


YM = date code



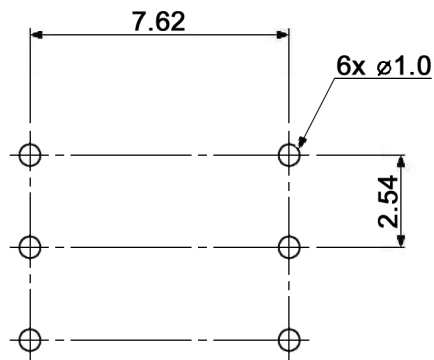
Y Manufacturing year

8	2008
9	2009
0	2010
1	2011
2	2012

M Manufacturing month

1	January
...	...
9	September
0	October
N	November
D	December

P.C.B. LAYOUT



Tolerances:	<3: ±0.2mm	Date	Name
	3-6: ±0.3mm	09/12	dr
	6-30: ±0.5mm		

DRS 13000 / DRS 14000

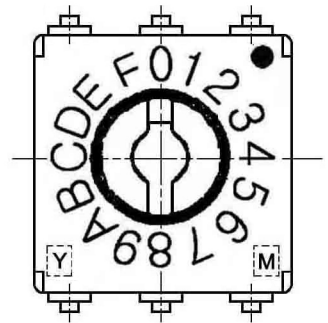
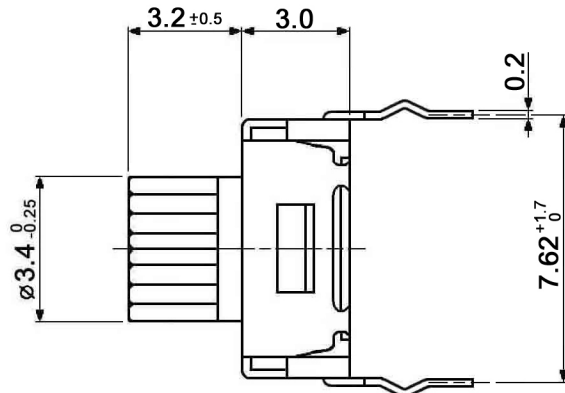
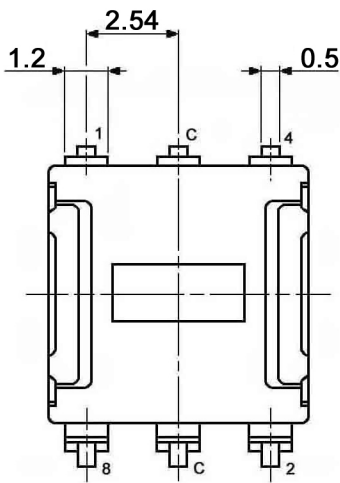
knitter-switch

30 26 99

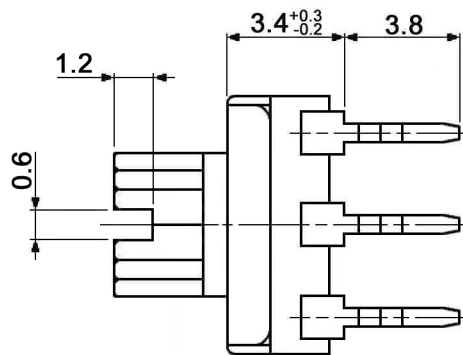
Page

1/4

Modifications	Date	Name
---------------	------	------



YM = date code



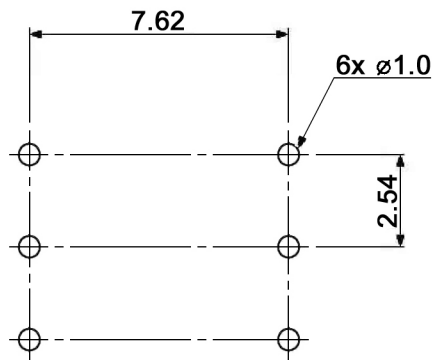
Y Manufacturing year

8	2008
9	2009
0	2010
1	2011
2	2012

M Manufacturing month

1	January
...	...
9	September
0	October
N	November
D	December

P.C.B. LAYOUT



Tolerances:	<3: ±0.2mm	Date	Name
	3-6: ±0.3mm	09/12	dr
	6-30: ±0.5mm		

DRS 13000 / DRS 14000

knitter-switch

30 26 99

Page

2/4

Modifications	Date	Name
---------------	------	------

Specifications:

Contact rating: max.: non-switching: 100mA, 50V DC
switching: 100mA, 5V DC
min.: 1µA, 20mV AC or DC

Contact resistance: 200mOhm max. at 1.5mA; 0.2mV AC (1kHz)

Insulation resistance: 1 000MOhm min. at 100V DC

Dielectric strength: 250V AC for 1 minute

Operating temperature: -25°C to +75°C

Storage temperature: -40°C to +85°C

Mechanical life: 20 000 cycles min.

Operating force: 24.5mN.m max.

Soldering conditions: wave soldering: max. 260°C, 5sec.
pre-heat: max. 100°C, 60sec.

Packing unit: 65 pcs. / tube

Material: Terminal: phosphor bronze, gold over nickel plated
Base: liquid crystal polymer, black
Frame: stainless steel
Rotor: polyamide resin
Fixed contact: phosphor bronze, gold over nickel plated
Movable contact: beryllium copper, gold over nickel plated



Tolerances: <3: ±0.2mm 3-6: ±0.3mm 6-30: ±0.5mm	Date	Name	DRS 13000 / DRS 14000
	09/12	dr	
			knitter-switch
			30 26 99
			Page
			3/4
Modifications	Date	Name	

		BCD				
		Real coded				
10 P o s i t i o n s		C	1	2	4	8
	0	●				
	1	●	●			
	2	●		●		
	3	●	●	●		
	4	●			●	
	5	●	●		●	
	6	●		●	●	
	7	●	●	●	●	
	8	●				●
9	●	●			●	

		Hexadecimal				
		Real coded				
16 P o s i t i o n s		C	1	2	4	8
	0	●				
	1	●	●			
	2	●		●		
	3	●	●	●		
	4	●			●	
	5	●	●		●	
	6	●		●	●	
	7	●	●	●	●	
	8	●				●
	9	●	●			●
	A	●		●		●
	B	●	●	●		●
	C	●			●	●
	D	●	●		●	●
	E	●		●	●	●
F	●	●	●	●	●	

		BCD inverse				
		Complement coded				
10 P o s i t i o n s		C	1	2	4	8
	0	●	●	●	●	●
	1	●		●	●	●
	2	●	●		●	●
	3	●			●	●
	4	●	●	●		●
	5	●		●		●
	6	●	●			●
	7	●				●
	8	●	●	●	●	
9	●		●	●		

		Hexadecimal inverse				
		Complement coded				
16 P o s i t i o n s		C	1	2	4	8
	0	●	●	●	●	●
	1	●		●	●	●
	2	●	●		●	●
	3	●			●	●
	4	●	●	●		●
	5	●		●		●
	6	●	●			●
	7	●				●
	8	●	●	●	●	
	9	●		●	●	
	A	●	●		●	
	B	●		●		
	C	●	●	●		
	D	●		●		
	E	●	●			
F	●					

Ordering code	Actuation	Code
DRS 13010	screw driver	10 pos. real, ivory
DRS 14010	shaft	10 pos. real, ivory
DRS 13016	screw driver	16 pos. real, ivory
DRS 14016	shaft	16 pos. real, ivory
DRS 13110	screw driver	10 pos. inverse, red
DRS 14110	shaft	10 pos. inverse, red
DRS 13116	screw driver	16 pos. inverse, red
DRS 14116	shaft	16 pos. inverse, red



Tolerances: <3: ±0.2mm 3-6: ±0.3mm 6-30: ±0.5mm	Date	Name
	09/12	dr
Modifications	Date	Name

DRS 13000 / DRS 14000

knitter-switch

30 26 99

Page

4/4