

# Case

black 280 x 240 x 77 mm, Polypropylene



## FEATURES:

Plastic case with foam

Innovative design with soft lines

External customization: screen-printing on both sides, embossed

Die-cut foam inlay

Cases stack inside each other for easier and more efficient storage and freight

## SPECIFICATION:

External dimensions W x D x H 280 x 240 x 77 mm

Dimensions, internal W x D x H 272 x 190 x 73 mm

Colour black

Material Polypropylene

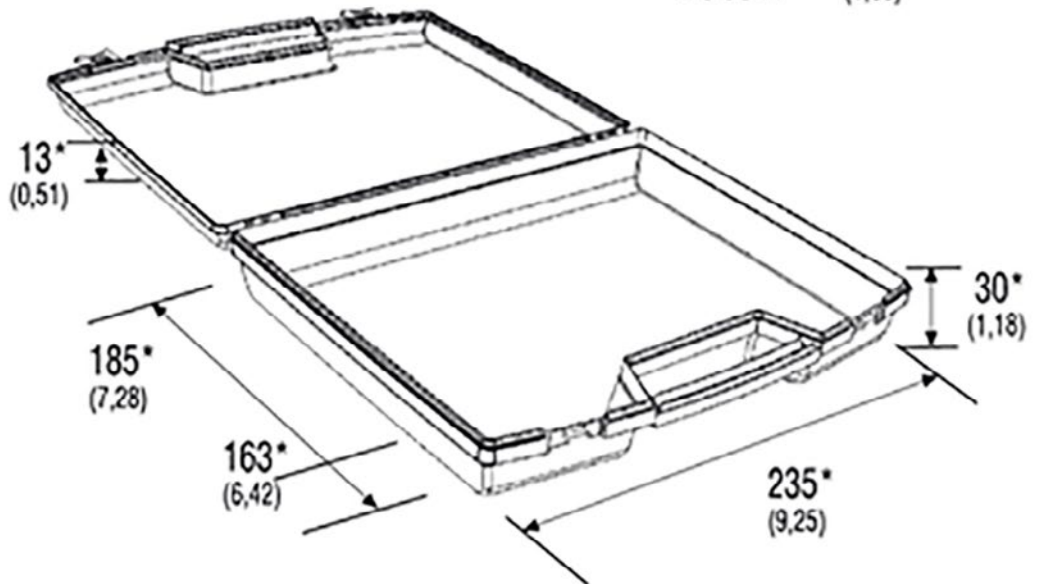


Art. Nr.

RND 550-00077

**Dim. INTERNE**  
*INSIDE Dim.*

H interna 43\*  
*Inside H* (1,69)



**Dim. ESTERNE**  
*OUTSIDE Dim.*

