

Case

grey 340 x 298 x 128 mm, Polypropylene



FEATURES:

Durable
Uniform line
Color similar to aluminum cases
two handles for greater carrying capacity
Space saving foldaway handle
Metal hinges
Secure clips
designed for a lock to be used on it
External customization: screen-printing on both sides, embossed logo as well as resin labels
Internal customization: die-cut foam, thermoformed

FEATURES:

With Convoluted Foam

SPECIFICATION:

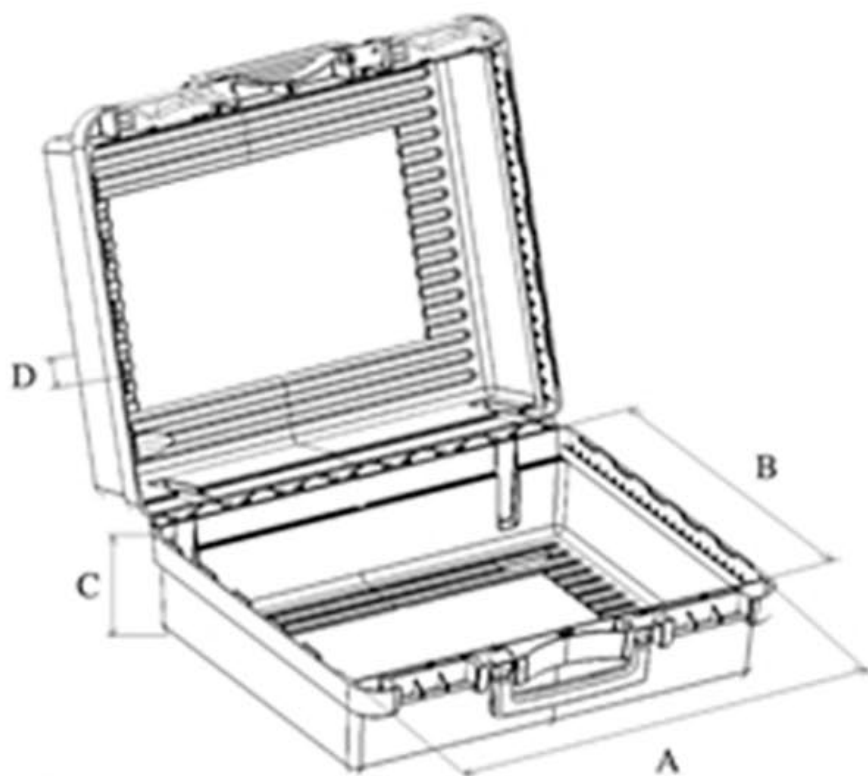
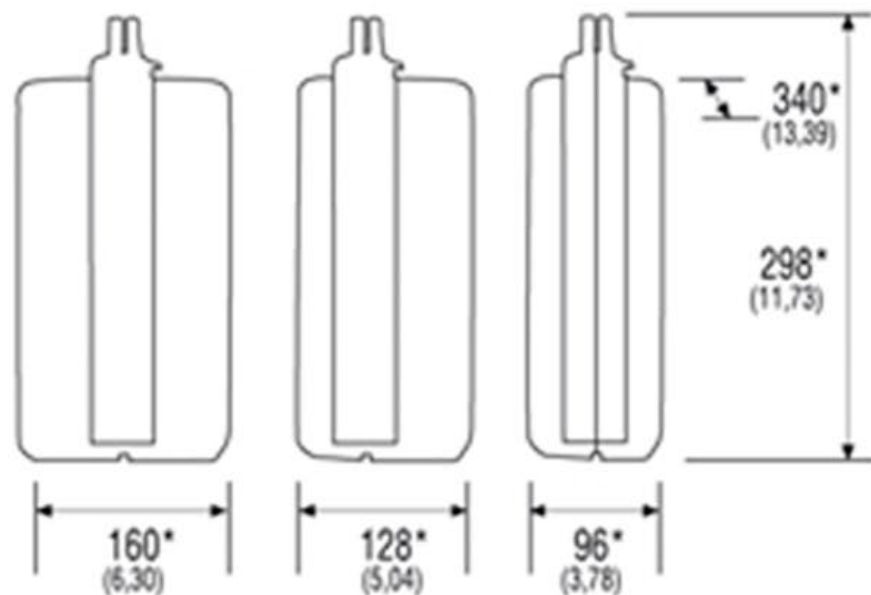
External dimensions W x D x H	340 x 298 x 128 mm
Dimensions, internal W x D x H	320 x 247 x 118.5 mm
Colour	grey
Material	Polypropylene



Art. Nr.

RND 550-00105

Dim. ESTERNE
OUTSIDE Dim.



Dim. INTERNE
INSIDE Dim.

	A	B	C	D
Art. 170/34H96	324* (12,76)	x 251* (9,88)	x 43,5* (1,71)	x 43,5* (1,71)
Art. 170/34H128	320* (12,60)	x 247* (9,72)	x 75* (2,95)	x 43,5* (1,71)
Art. 170/60H160	320* (12,60)	x 247* (9,72)	x 75* (2,95)	x 75* (2,95)

* = mm.
() = inch.