

250 x 100 x 30 cm

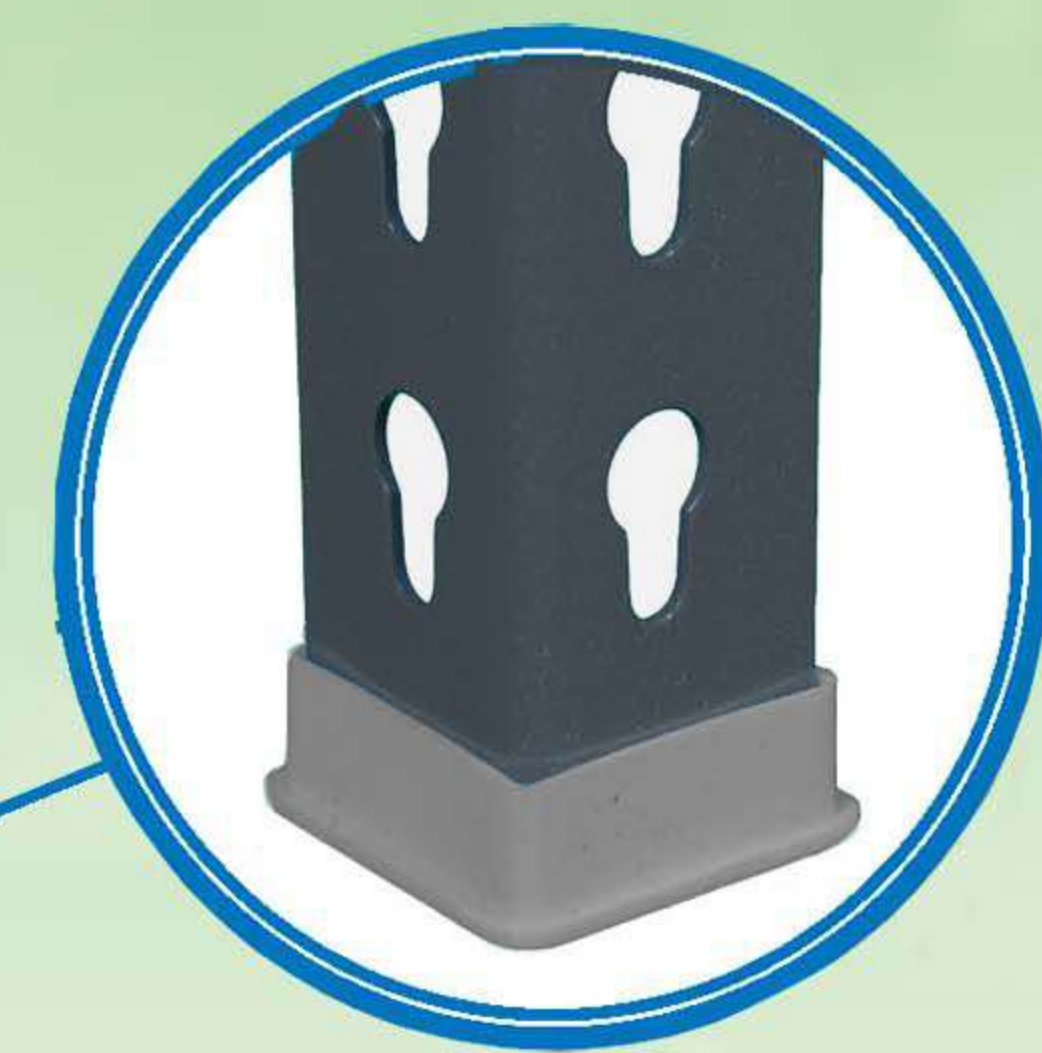
98.4" x 39.3" x 11.8"

SIMONCLICK PLUS 6/300

5 Años Garantía
Years Guarantee
Jahre Garantie
Ans Garantie
Anos de Garantía
SIMONRACK



1080 kg
(2381 lb)
Total



*MEDIDAS EN USO / USED MEASUREMENTS
MASSNAHMEN IM EINSATZ / MEASURES EN EMPLOI / MEDIDAS EM USO:
2510 x 1010 x 310 mm (98.8" x 39.7" x 12.2")



ESTANTERIAS SIMON S.L. B.50.556.463
PG. ALFAMEN C/ POLIGONO C, Nº3
ALFAMEN (ZARAGOZA)



**Simon
Rack**
SINCE 1964 - MANUFACTURER

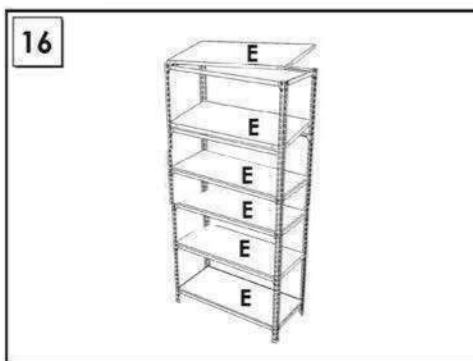
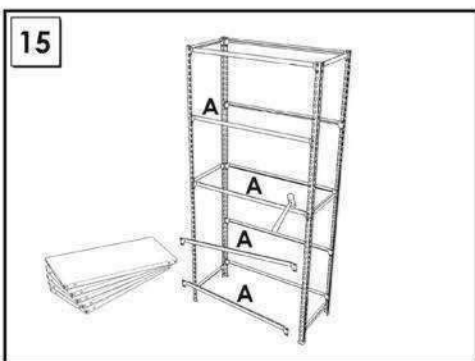
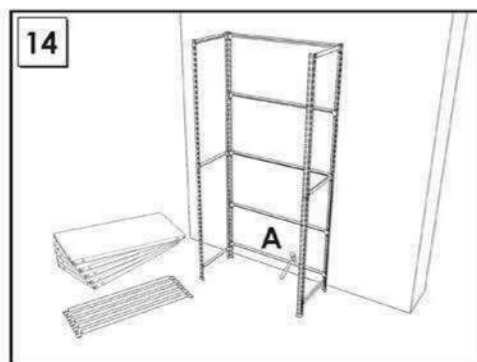
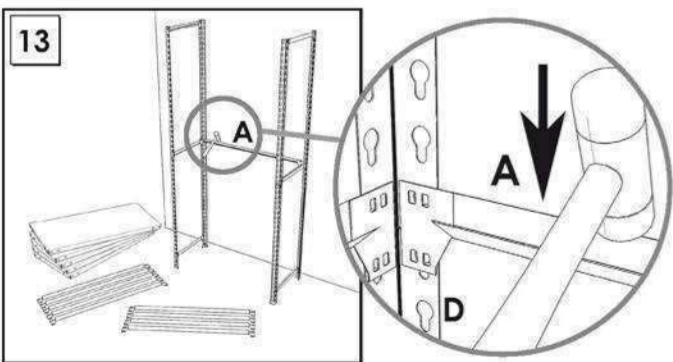
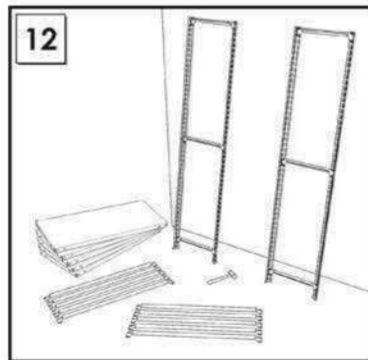
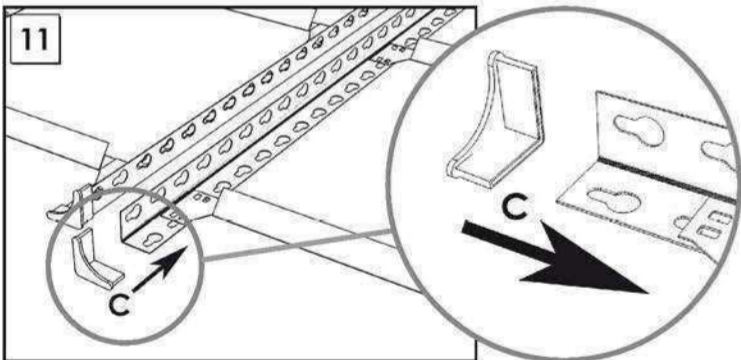
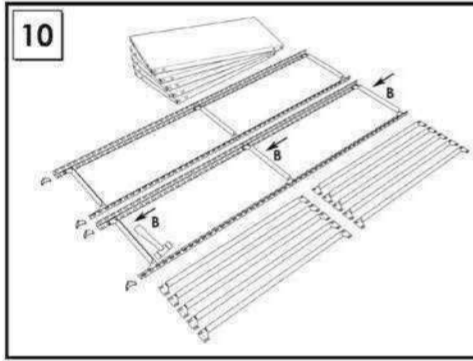
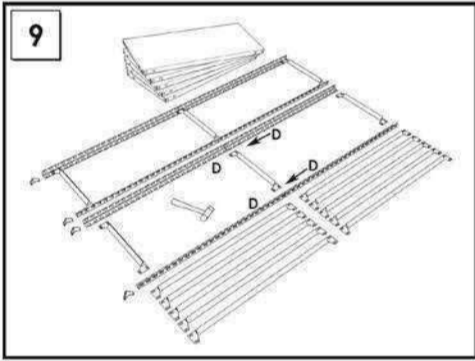
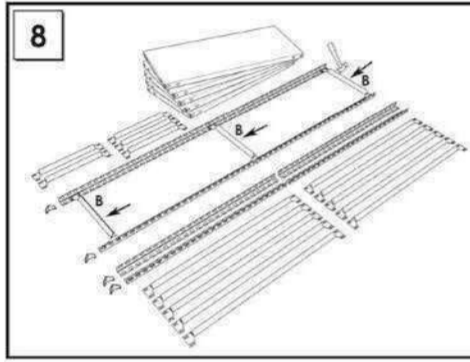
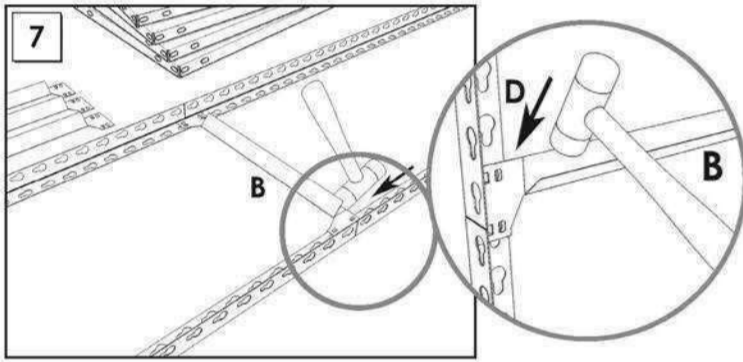
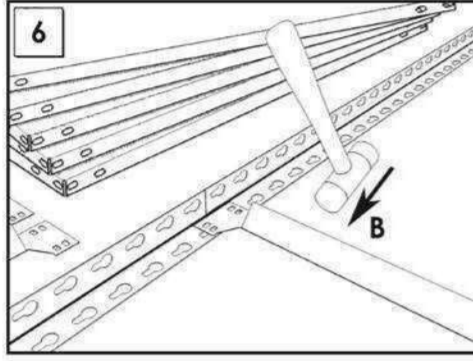
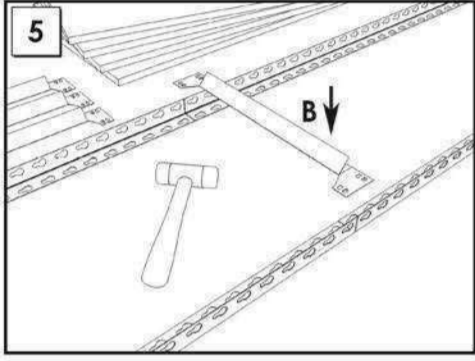
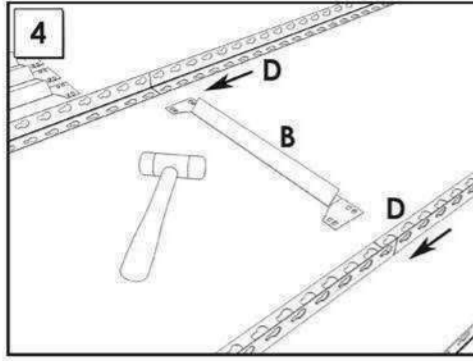
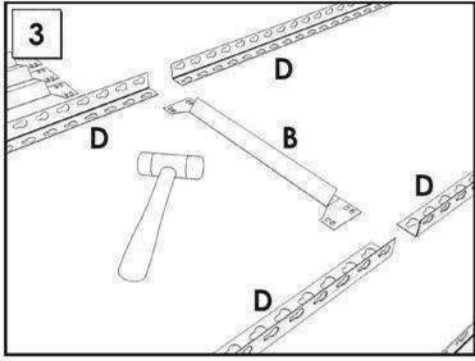
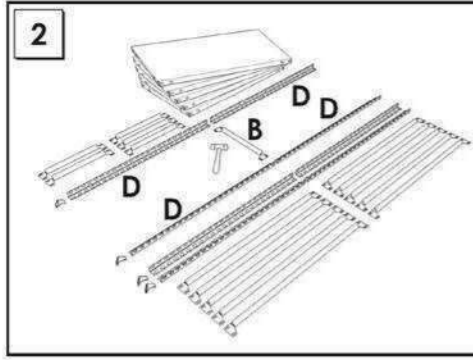
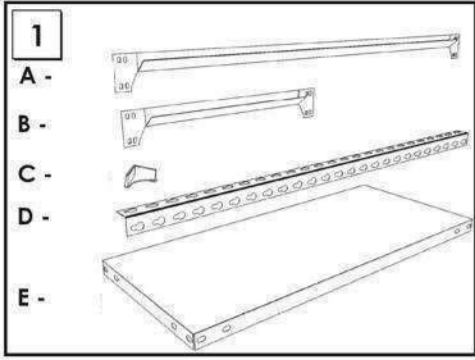
www.simonrack.com



www.simonrack.com



INSTRUCTIONS



On-line instructions: www.instructionsrack.com/simonclick

www.simonrack.com • www.simonrack.com • www.simonrack.com • www.simonrack.com

SIMONCLASSIC



SIMONCLICK



SIMONOFFICE



SIMONTALLER



**BANCOS DE TRABAJO
WORK BENCHES**



SIMONHOME



**TAQUILLAS
LOCKER**



SIMONTITÁN



SIMONINOX



SIMONPALET



SIMONLEVER



**ALTILLOS Y PASILLOS ELEVADOS
PLATFORMS AND MEZZANINES**

