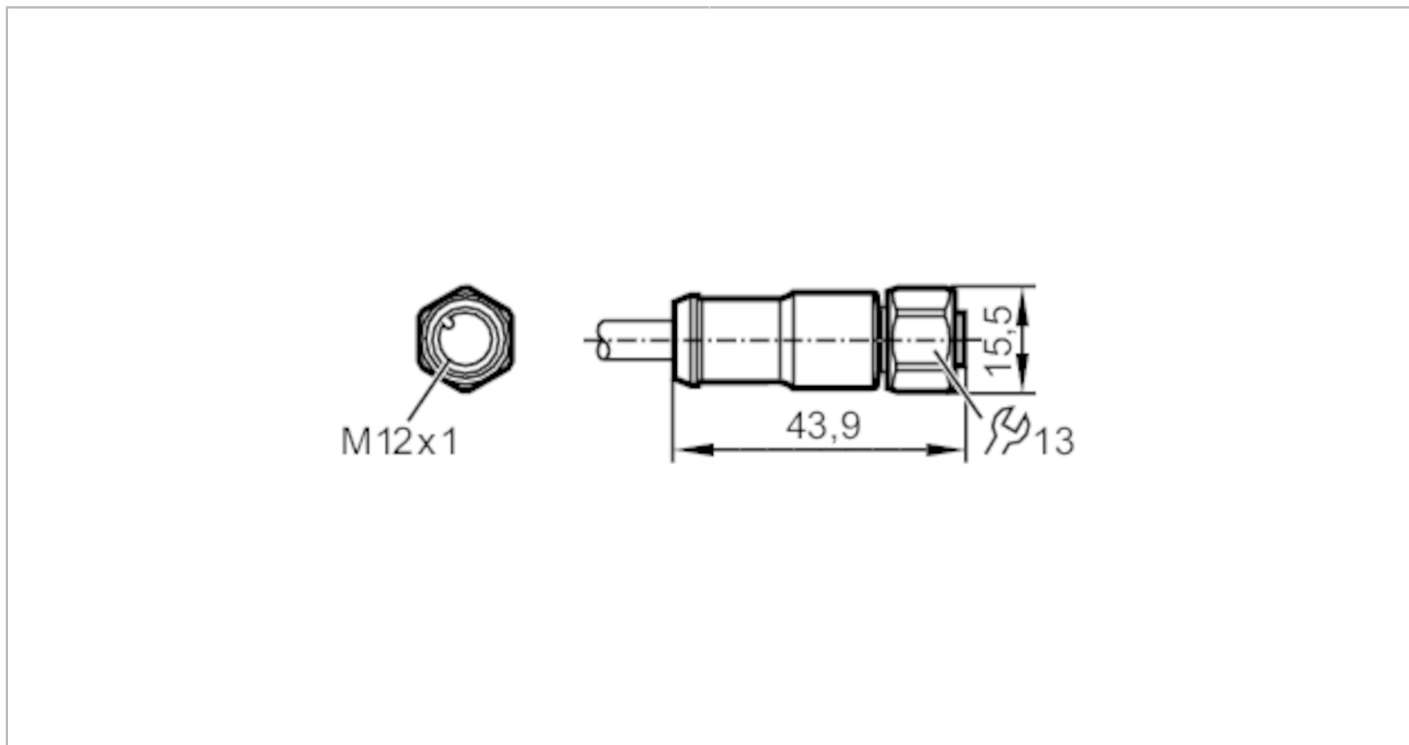


E3M131



Connecting cable with socket

POWER SUPPLY CABLE O3M ILLUMINATION 2M



Application

Special feature	Gold-plated contacts; Drag chain suitability
-----------------	----------------------------------------------

Operating conditions

Ambient temperature	[°C]	-40...85
Protection		IP 68

Mechanical data

Weight	[g]	133.8
Dimensions	[mm]	15.5 x 15.5 x 43.9
Materials		PUR
Material nut		diecast zinc
Drag chain suitability		yes
Drag chain suitability	bending radius for fixed installation	≥ 30 mm

Remarks

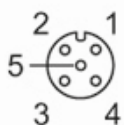
Pack quantity	1 pcs.
---------------	--------

Electrical connection

Cable: 2 m, PUR, black, Ø 6 mm; 4 x 0.75 mm²

Electrical connection - socket

Connector: 1 x M12, straight; Moulded body: PUR; Locking: diecast zinc; Contacts: gold-plated



E3M131



Connecting cable with socket

POWER SUPPLY CABLE O3M ILLUMINATION 2M

Connection

