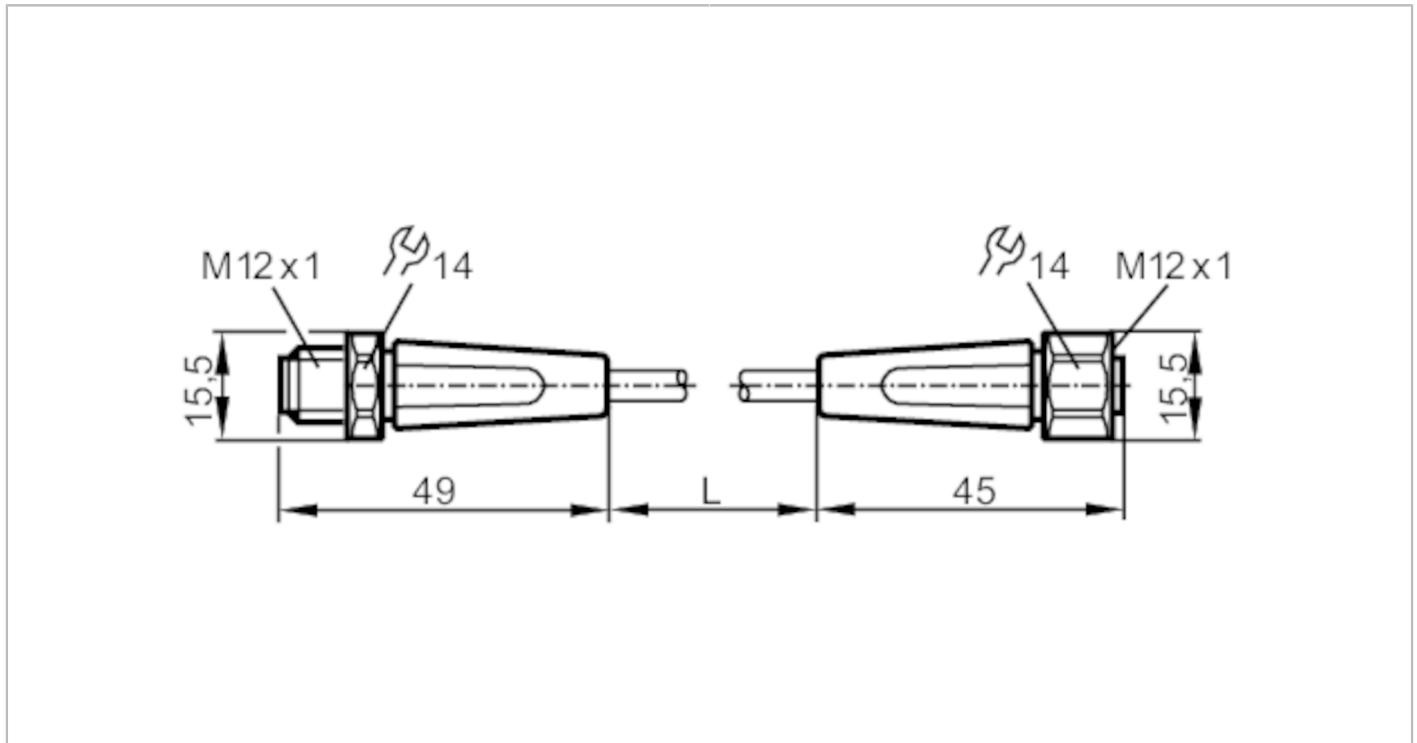


EVF059



Connection cable

VDOGH050VAS00,6P05STGH050VAS



| Application | |
|--------------------------------------|--|
| Special feature | Free from silicone; Halogen-free; Gold-plated contacts; Drag chain suitability |
| Application | hygienic and wet areas in the food industry |
| Free from silicone | yes |
| Electrical data | |
| Operating voltage [V] | < 60 AC/DC |
| Protection class | II |
| Max. current load total [A] | 4; (cULus: 3) |
| Operating conditions | |
| Ambient temperature [°C] | -25...100 |
| Note on ambient temperature | cULus: ...65 °C |
| Ambient temperature (moving) [°C] | 0...100 |
| Note on ambient temperature (moving) | cULus: ...65 °C |
| Protection | IP 65; IP 67; IP 68; IP 69K |

EVF059



Connection cable

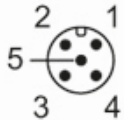
VDOGH050VAS00,6P05STGH050VAS

| Mechanical data | | |
|------------------------|---|--|
| Weight [g] | 52.1 | |
| Materials | PP Halogen-free; Sealing: EPDM | |
| Material nut | stainless steel (1.4404 / 316L) / stainless steel (1.4404 / 316L) | |
| Drag chain suitability | yes | |
| Drag chain suitability | bending radius for flexible use | min. 10 x cable diameter |
| | travel speed | max. 3.3 m/s for a horizontal travel length of 5 m and max. acceleration of 5 m/s ² |
| | bending cycles | > 1 Mio. |
| | torsional strain | ± 180 °/m |

| Remarks | |
|---------------|--------|
| Pack quantity | 1 pcs. |

Electrical connection - plug

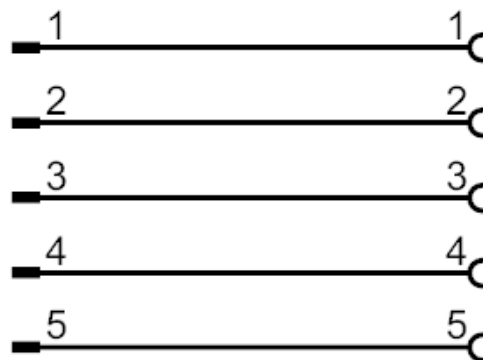
Connector: 1 x M12, straight; Moulded body: PP, Halogen-free; Locking: stainless steel (1.4404 / 316L); Contacts: gold-plated; Tightening torque: 0.6...1.2 Nm



Electrical connection

Cable: 0.6 m, MPPE, Halogen-free, grey, Ø 5.1 mm; 5 x 0.34 mm² (42 x Ø 0.1 mm)

Connection



Electrical connection - socket

Connector: 1 x M12, straight; Moulded body: PP, Halogen-free; Locking: stainless steel (1.4404 / 316L); Contacts: gold-plated; Tightening torque: 0.6...1.5 Nm

EVF059



Connection cable

VDOGH050VAS00,6P05STGH050VAS

