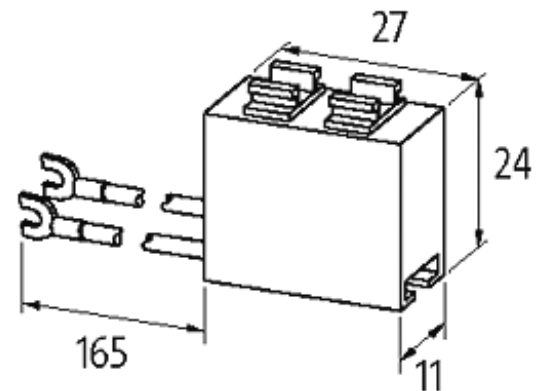


**SIEMENS CONTACTOR SUPPRESSOR**

RC, 24/48VDC

[Link to Product](#)**Illustration**

RC

Product may differ from Image

**Appropriate contactors**

The information in this brochure has been compiled with the utmost care.

Liability for the correctness completeness and topicality of the information is restricted to gross negligence. Version: 05/15

Murrelektronik GmbH | Falkenstraße 3, 71570 Oppenweiler | Fon +49 (71 91) 47-0, Fax +49 (71 91) 47-491000 | shop@murrelektronik.de | shop.murrelektronik.de

3 TH 3/4/8; 3 TF 30...45; 3 TB 40...3 TB 44

**Technical Data**

Damping factor	approx. 1.5 × UN
Material	Flame retardant plastic acc. to (UL 94)
Connection wires	self-securing cable forks

**General data**

Temperature range	-20...+70 °C
-------------------	--------------

**Commercial data**

country of origin	CZ
customs tariff number	85363010
minimum order quantity	1