

M8 female 0° with cable

PUR 4x0.25 bk UL/CSA 2m

M8

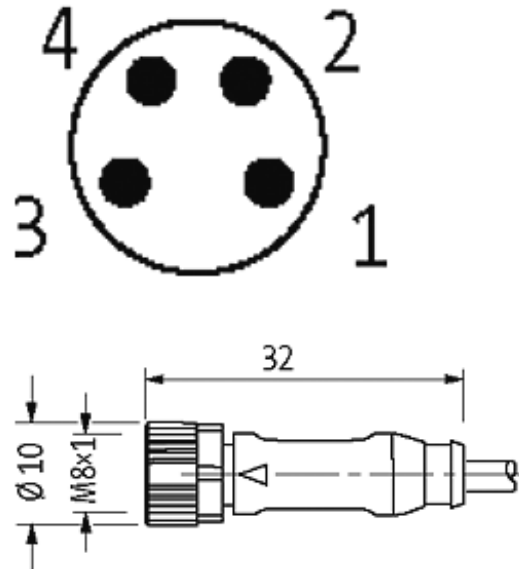
Female straight

4-pole

Plastic housings with good resistance against chemicals and oils. The resistance to aggressive media should be individually tested for your application. Further details on request. Further cable lengths on request.

[Link to Product](#)**Illustration**

Female



Product may differ from Image

Approvals



* only for products with UL/CSA approved cable

Form

08061

Technical Data

| | |
|-------------------------------|--|
| Operating voltage | max. 30 V AC/DC |
| Operating current per contact | max. 4 A |
| Locking of ports | Screw thread M8 × 1 mm (recommended torque 0.4 Nm) self-securing |
| Protection | IP67 inserted and tightened (EN 60529) |

Cables

| | |
|-----------------------|--------------------------|
| Cable number | 621 |
| No./diameter of wires | 4 × 0.25 mm ² |
| Wire isolation | PVC (br, wh, bl, bk) |
| C-track properties | 2 Mio. |
| Jacket Color | black |

| | |
|-----------------------------|------------------|
| Shore hardness outer jacket | 85 ± 5A |
| Material (jacket) | PUR/PVC (UL/CSA) |
| Outer diameter | approx. 4.8 mm |
| Bend radius (fixed) | 10 × outer Ø |
| Bend radius (moving) | 15 × outer Ø |
| Temperature range (fixed) | -30...+80 °C |
| Temperature range (mobile) | -5...+80 °C |

Commercial data

| | |
|------------------------|----------|
| country of origin | DE |
| customs tariff number | 85444290 |
| minimum order quantity | 1 |