



AS-INTERFACE MOUNTING PLATE K45 FOR WALL MOUNTING 1 X AS-INTERFACE CABLE (YELLOW) 1 X AS-INTERFACE CABLE (BLACK), HOLE GRID COMPATIBLE WITH MOUNTING PLATE K60

Figure similar

General technical data:		
Type of device		accessories digital I/O modules for operation in the field, IP67 - K45
Design of the product		K45 mounting plate for wall mounting
Connections/ Terminals:		
connection		insulation piercing method for AS-Interface flat cable
Connection system		insulation piercing method for AS-Interface flat cable
Mechanical data:		
Type of mounting		for wall mounting
Ambient conditions:		
degree of protection		IP67 with screw-mounted K45 compact module
Certificates/ approvals:		

General Product Approval

Shipping Approval



Shipping Approval

other



[Confirmation](#)

[Declaration of
Conformity](#)

[Environmental
Confirmations](#)

Further information

Information- and Downloadcenter (Catalogs, Brochures,...)

<http://www.siemens.com/industrial-controls/catalogs>

Industry Mall (Online ordering system)

<http://www.siemens.com/industrymall>

Cax online generator

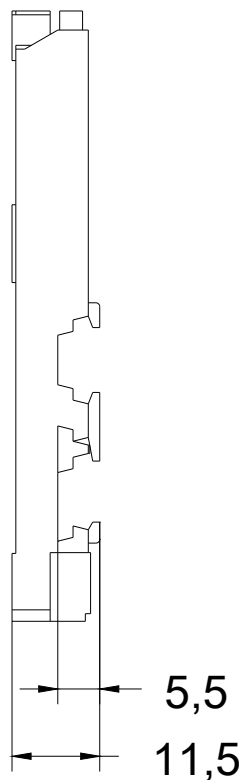
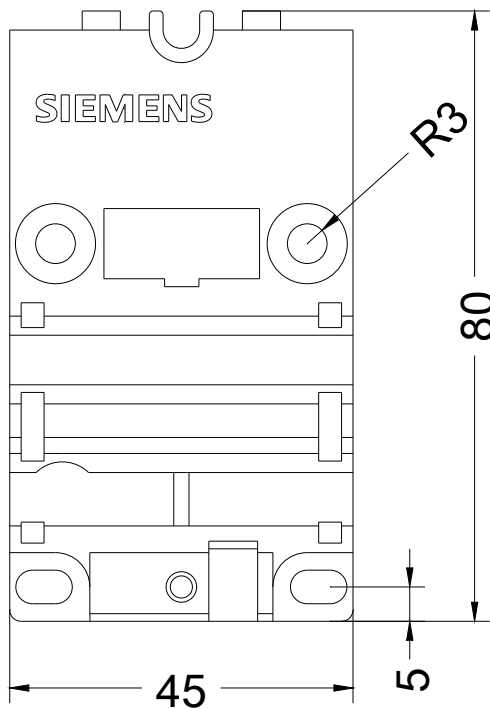
<http://support.automation.siemens.com/WW/CAXorder/default.aspx?lang=en&mlfb=3RK19012EA00>

Service&Support (Manuals, Certificates, Characteristics, FAQs,...)

<http://support.automation.siemens.com/WW/view/en/3RK19012EA00/all>

Image database (product images, 2D dimension drawings, 3D models, device circuit diagrams, EPLAN macros, ...)

<http://www.automation.siemens.com/bilddb/index.aspx?attID9=3RK19012EA00&lang=en>



last modified:

15.01.2015