

FOOT-OPERATED SWITCH MOULDED-PLASTIC
ENCLOSURE PEDAL PUSHBUTTON, ONE PEDAL,
WITH COVER, 1 CO



Figure similar

Product designation		momentary-contact foot switch
General technical data:		
Protection class IP		IP65
Equipment marking		S
<ul style="list-style-type: none"> • acc. to DIN EN 61346-2 • acc. to DIN EN 81346-2 		S
Number of switching steps		1
Number of the actuation pedals		1
Operating current at AC-15		
<ul style="list-style-type: none"> • at 230 V Rated value 	A	5
Enclosure:		
Material of the enclosure		plastic with total insulation
Color		
<ul style="list-style-type: none"> • of the enclosure • of top part of the enclosure 		black grey
Mechanical data:		
Cable entry type		cable, 3 m
Ambient conditions:		
Ambient temperature		
<ul style="list-style-type: none"> • during operation 	°C	-10 ... +75
Installation/ mounting/ dimensions:		
Mounting type		screw fixing
Height	mm	152

Width	mm	155
Depth	mm	115

Certificates/ approvals:

General Product Approval	Declaration of Conformity	Shipping Approval
--------------------------	---------------------------	-------------------



Shipping Approval	other
-------------------	-------



[other](#)

[Confirmation](#)

Further information

Information- and Downloadcenter (Catalogs, Brochures,...)

<http://www.siemens.com/industrial-controls/catalogs>

Industry Mall (Online ordering system)

<http://www.siemens.com/industrymall>

Cax online generator

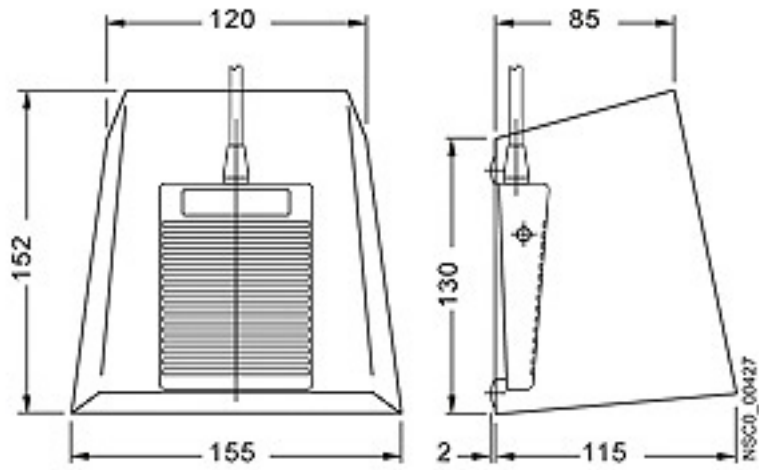
<http://support.automation.siemens.com/WW/CAXorder/default.aspx?lang=en&mfb=3SE39024CA20>

Service&Support (Manuals, Certificates, Characteristics, FAQs,...)

<http://support.automation.siemens.com/WW/view/en/3SE39024CA20/all>

Image database (product images, 2D dimension drawings, 3D models, device circuit diagrams, EPLAN macros, ...)

http://www.automation.siemens.com/bilddb/cax_de.aspx?mfb=3SE39024CA20&lang=en



last modified:

09.03.2015