

38mm sq.

San Ace 38



General Specifications

- Material Frame: Plastics (Flammability: UL94V-0),
Impeller: Plastics (Flammability: UL94V-0)
- Expected Life Refer to specifications (L10: Survival rate: 90% at 60°C ,
rated voltage, and continuously run in a free air state)
- Lead Wire ⊕red ⊖black (Sensor) yellow (Control) brown
- Storage Temperature -30°C to +70°C (Non-condensing)

38×38×28mm (Mass : 52g) **9GA type** **Low Power Consumption Fan**



Specifications

The following nos. **have PWM controls, pulse sensors, and ribs.** For ribless, append "1" to the model no.

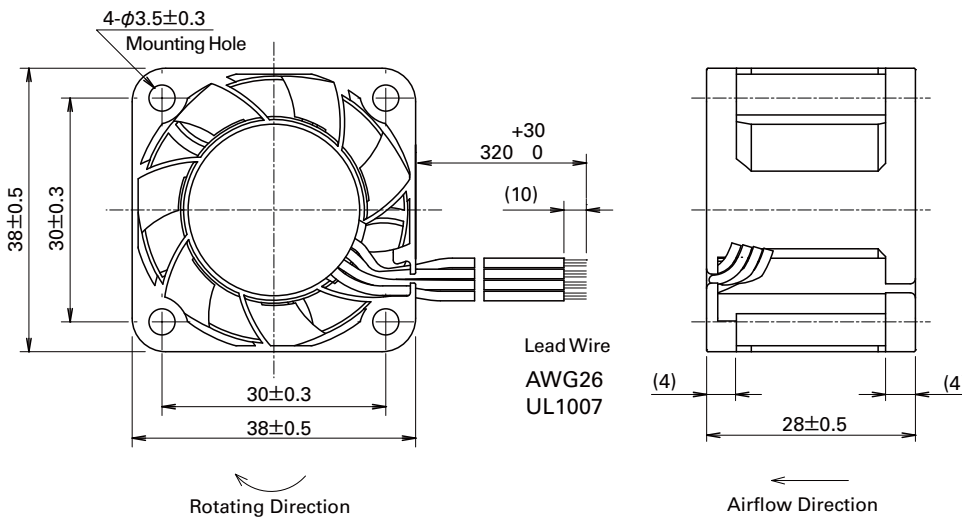
Model No.	Rated Voltage [V]	Operating Voltage Range [V]	PWM duty cycle [※] [%]	Rated Current [A]	Rated Input [W]	Rated Speed [min ⁻¹]	Max. Airflow [m ³ /min] [CFM]		Max. Static Pressure [Pa] [inchH ₂ O]		SPL [dB(A)]	Operating Temperature [°C]	Expected Life ^(Note) [h]
9GA0312P3K001	12	10.8 to 13.2	100	0.62	7.4	25,000	0.60	21.2	800	3.21	59.0	-20 to +70	40,000/60°C (70,000/40°C)
			0	0.06	0.7	3,000	0.07	2.5	11	0.04	15.0		
9GA0312P3J001			100	0.52	6.2	23,500	0.57	20.1	720	2.89	57.5		
			0	0.06	0.7	3,000	0.07	2.5	11	0.04	15.0		
9GA0312P3G001			100	0.33	4.0	19,000	0.45	15.9	460	1.85	53.0		
			0	0.06	0.7	3,000	0.07	2.5	11	0.04	15.0		

Note: Expected life at 40°C ambient is just reference value.

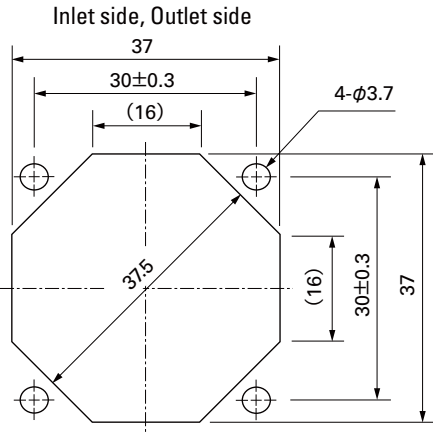
※PWM Frequency : 25kHz

Models with pulse sensors (no PWM control function) or lock sensors are available as options. Please refer to the index (p. 474).

Dimensions (unit: mm) (With ribs)



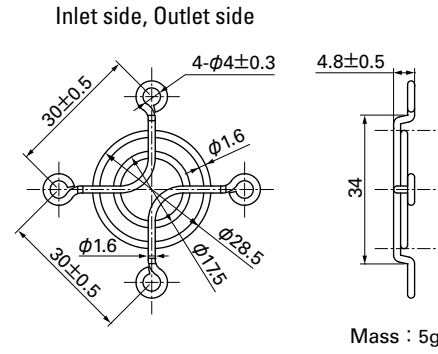
Reference Dimensions of Mounting Holes and Vent Opening (unit: mm)



Options (unit: mm)

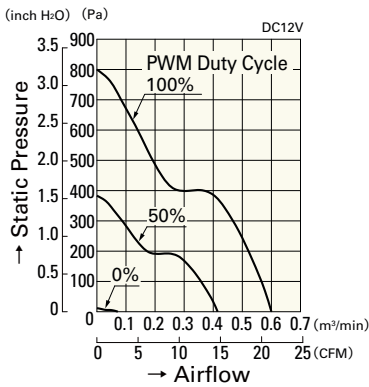
Finger Guards

Model : 109-1065 Surface treatment : Nickel-chrome plating Color

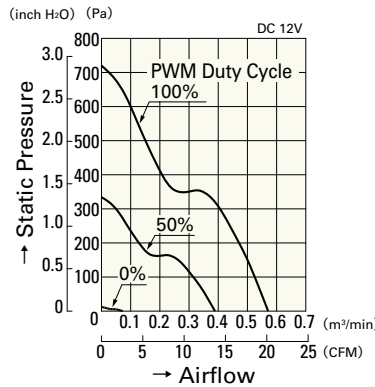


Airflow - Static Pressure Characteristics

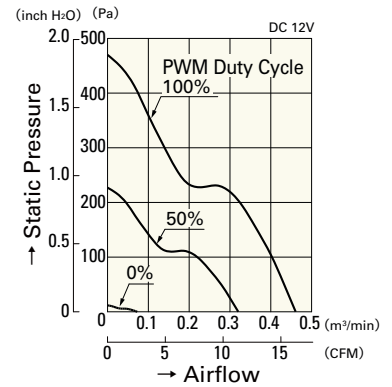
PWM Duty Cycle



9GA0312P3K001

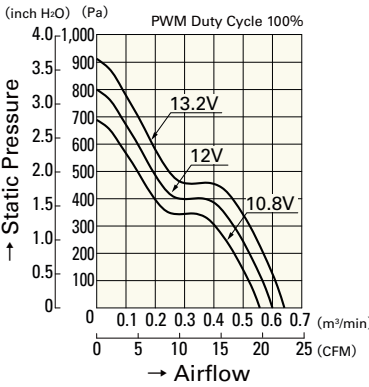


9GA0312P3J001

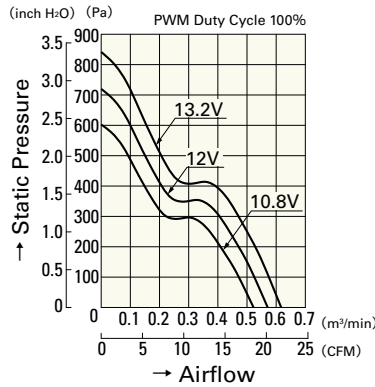


9GA0312P3G001

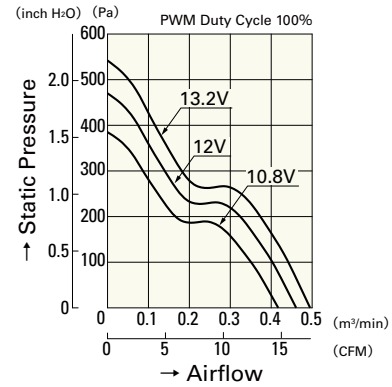
Operating Voltage Range



9GA0312P3K001

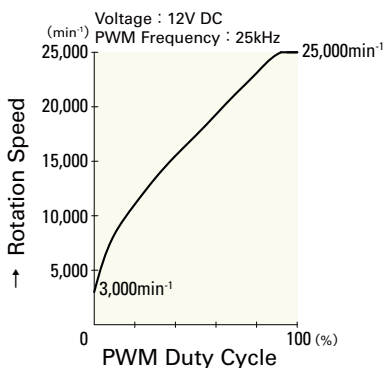


9GA0312P3J001

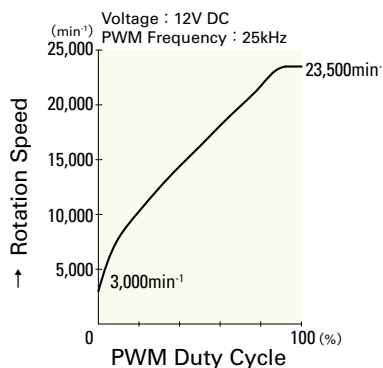


9GA0312P3G001

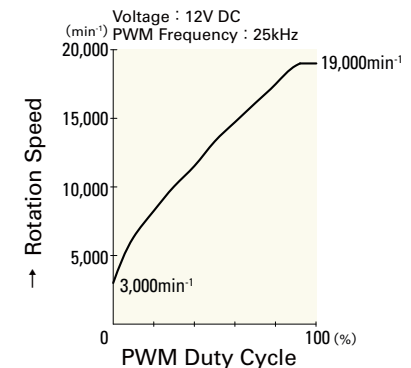
PWM Duty - Speed Characteristics Example



9GA0312P3K001



9GA0312P3J001



9GA0312P3G001