

LQW2UASR15J00#

“#” indicates a package specification code.

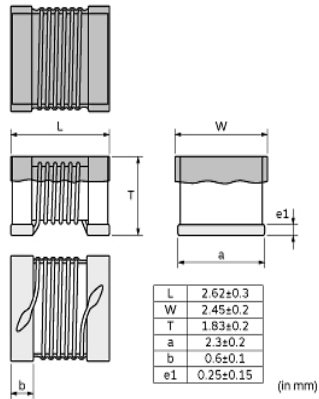
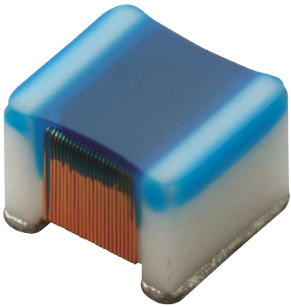
Size Code 2520 (1008) in mm (in inch), Wound Type



< List of part numbers with package codes >

LQW2UASR15J00B LQW2UASR15J00L

Appearance & Shape



References

Packaging	Specifications	Standard Packing Quantity
B	Bulk(Bag)	500
L	180Embossed Tape	2000

Mass (typ.)	
1 piece	0.039g

Attention

- 1.This datasheet is downloaded from the website of Murata Manufacturing Co., Ltd. Therefore, it's specifications are subject to change or our products in it may be discontinued without advance notice. Please check with our sales representatives or product engineers before ordering.
- 2.This datasheet has only typical specifications because there is no space for detailed specifications. Therefore, please review our product specifications or consult the approval sheet for product specifications before ordering.

LQW2UASR15J00#

“#” indicates a package specification code.



Specifications

L size	2.62±0.3mm
W size	2.45±0.2mm
T size	1.83±0.2mm
Size code inch (mm)	1008 (2520)
Inductance	150nH±5%
Inductance Test Frequency	25MHz
Rated current (Itemp) (Based on Temperature rise)	580mA
Max. of DC resistance	0.7Ω
Q(min.)	45
Q Test Frequency	100MHz
Self resonance frequency (min.)	850MHz
Operating Temperature Range(Self-temperature rise is not included)	-55°C to 125°C
Series	LQW2UAS_00

Attention

1.This datasheet is downloaded from the website of Murata Manufacturing Co., Ltd. Therefore, it's specifications are subject to change or our products in it may be discontinued without advance notice. Please check with our sales representatives or product engineers before ordering.

2.This datasheet has only typical specifications because there is no space for detailed specifications.

Therefore, please review our product specifications or consult the approval sheet for product specifications before ordering.

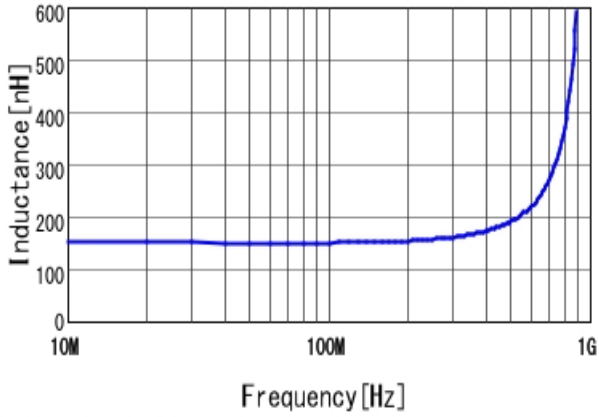
LQW2UASR15J00#

"#" indicates a package specification code.

Characteristic Data

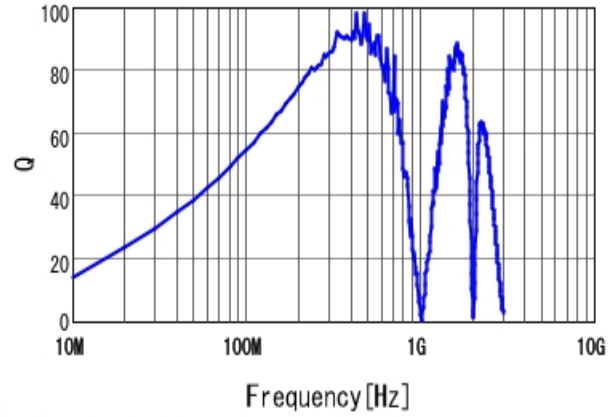
The charts below may show another part number which shares its characteristics.

Frequency Characteristic (L)



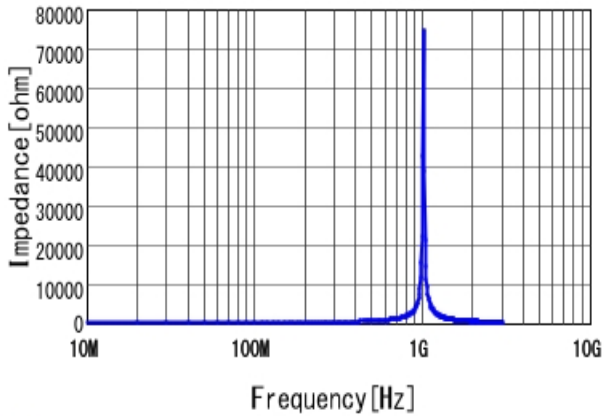
■ LQW2UASR15J00 L

Frequency Characteristic (Q)



■ LQW2UASR15J00 Q

Frequency Characteristic (Z)



■ LQW2UASR15J00 |Z|

Attention

- 1.This datasheet is downloaded from the website of Murata Manufacturing Co., Ltd. Therefore, it's specifications are subject to change or our products in it may be discontinued without advance notice. Please check with our sales representatives or product engineers before ordering.
- 2.This datasheet has only typical specifications because there is no space for detailed specifications. Therefore, please review our product specifications or consult the approval sheet for product specifications before ordering.